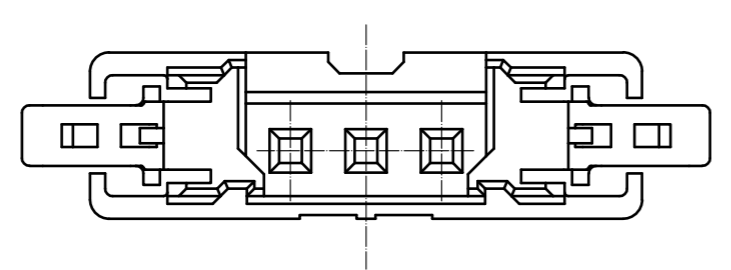
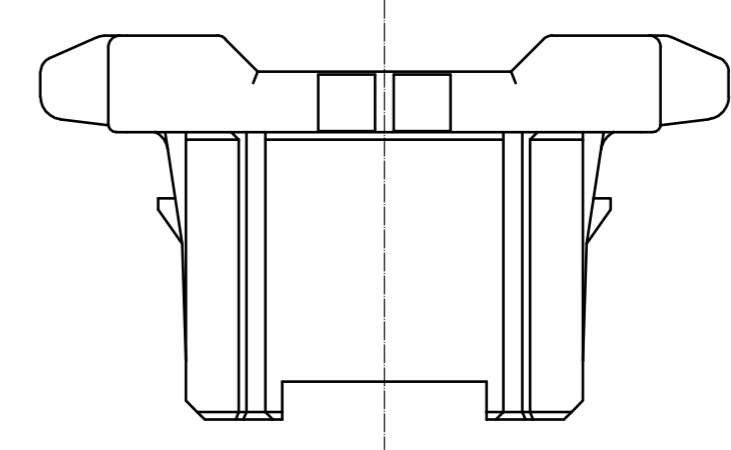
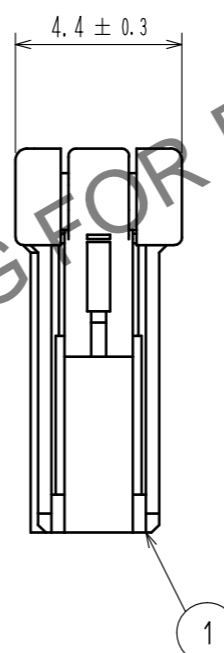
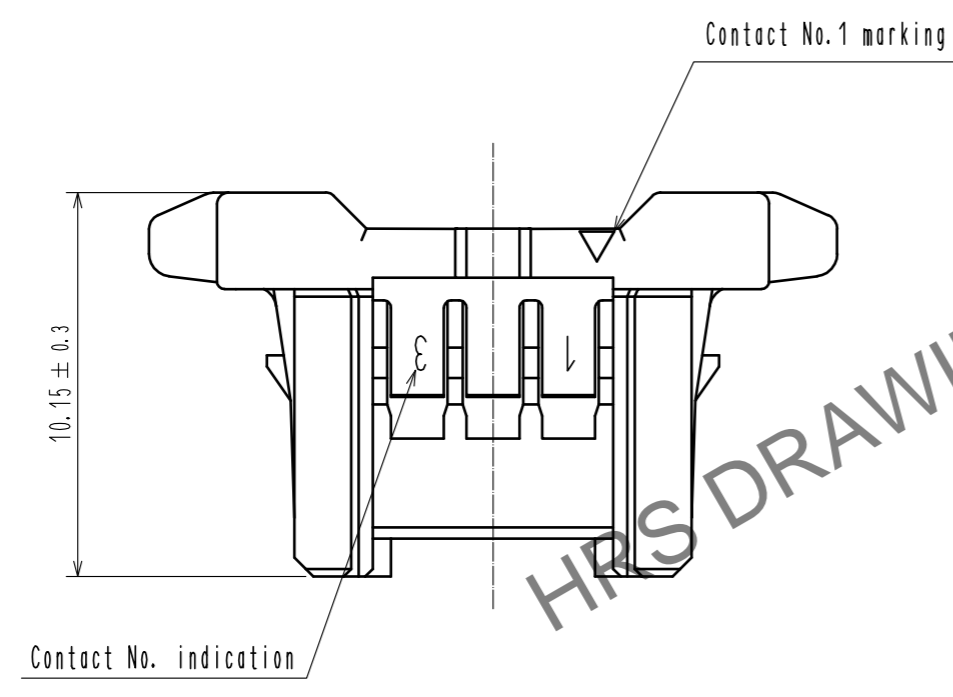
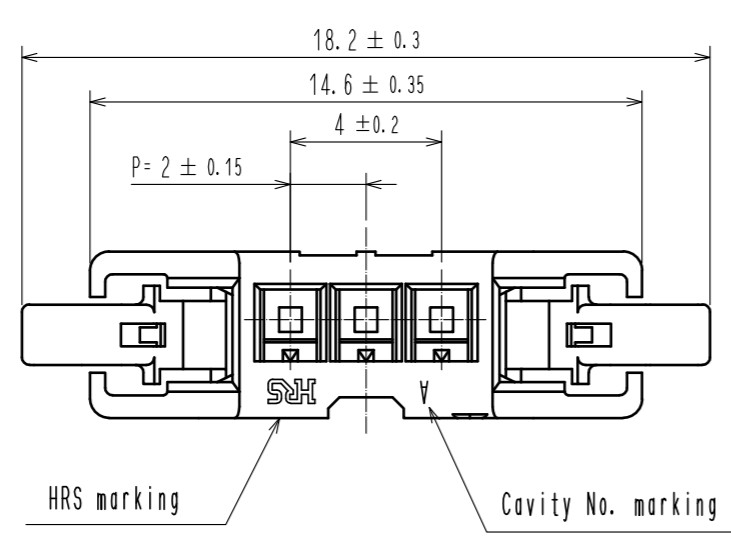


Oct.1.2024 Copyright 2024 HIROSE ELECTRIC CO., LTD. All Rights Reserved.
In case of consideration for using Automotive equipment / device which demand high reliability, kindly contact our sales window correspondents.



Note 1. Per pack : 100 pieces.
 2. UL(File No.E52653),
 C-UL(File No.E52653) authorization article.



NO.		MATERIAL		FINISH . REMARKS		1	PBT	UL94V-0. BLACK
UNITS	mm	SCALE	4 : 1	COUNT	1	DESCRIPTION OF REVISIONS		DESIGNED
						DIS-H-00004517		TS.MIYAKI
						APPROVED : YN. TAKASHITA		20160127
						CHECKED : YN. TAKASHITA		20160127
						DESIGNED : TT. OHSAKO		20160127
						DRAWN : TT. OHSAKO		20160127
						DRAWING NO.		EDC-363930-00-00
						PART NO.		DF51-3S-2C
						CODE NO.		CL543-5121-0-00
								1/1