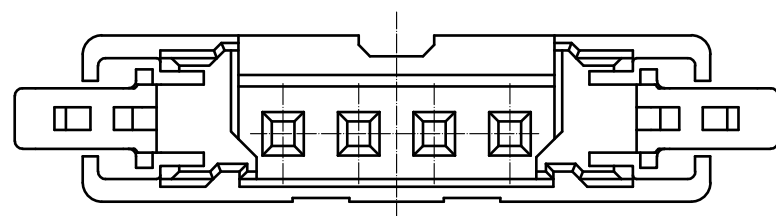
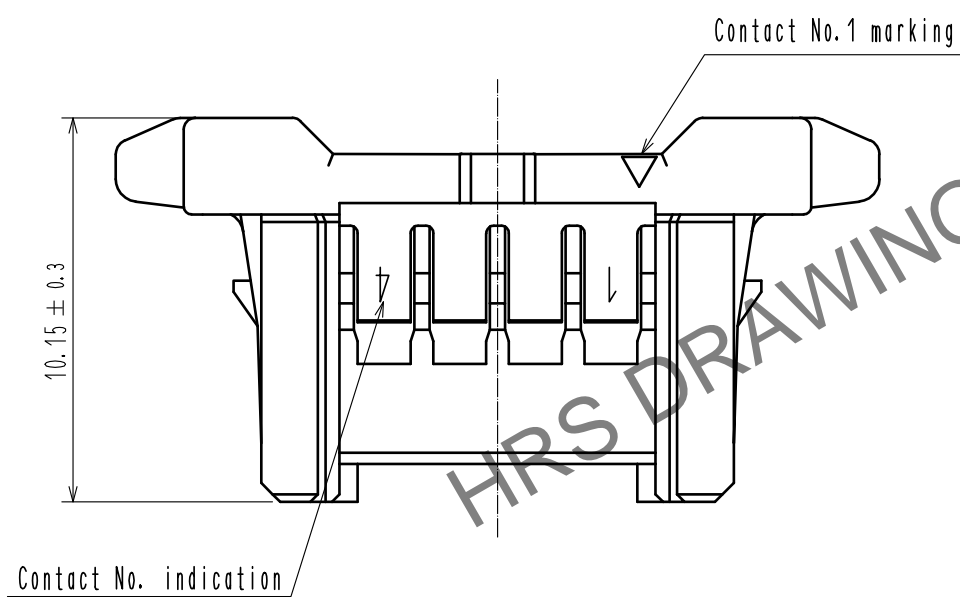
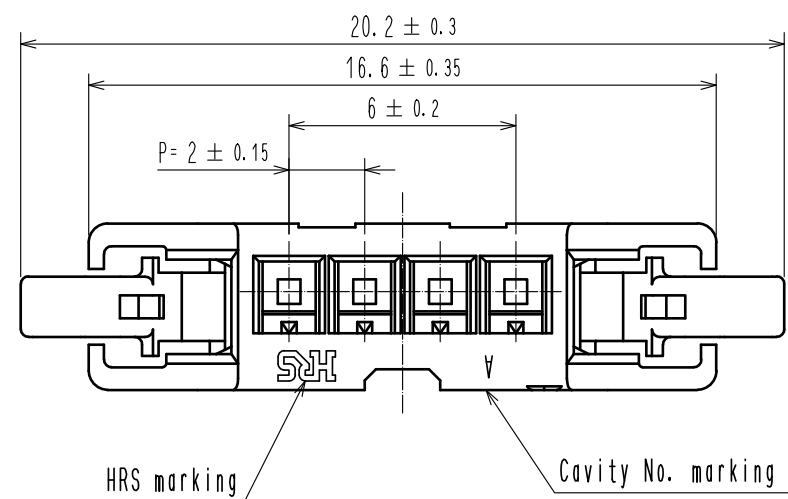


Oct.1.2024 Copyright 2024 HIROSE ELECTRIC CO., LTD. All Rights Reserved.
 In case of consideration for using Automotive equipment / device which demand high reliability, kindly contact our sales window correspondents.



Note 1. Per pack : 100 pieces.
 Note 2. \triangle UL(File No. E52653),
 C-UL(File No. E52653) authorization article.



NO.		MATERIAL		FINISH . REMARKS		1	PBT	UL94V-0. BLACK
UNITS	\odot	SCALE	COUNT	DESCRIPTION OF REVISIONS		DESIGNED	CHECKED	DATE
mm	\triangle	5 : 1	1	DIS-H-00004517		TS. MIYAKI	HS. OKAWA	20181217
HRS		HIROSE ELECTRIC CO., LTD.		APPROVED : HS. OKAWA	20160601	DRAWING NO. EDC-363931-00-00		
				CHECKED : YN. TAKASHITA	20160601	PART NO. DF51-4S-2C		
				DESIGNED : TT. OHSAKO	20160601	CODE NO. CL543-5122-0-00		
				DRAWN : TT. OHSAKO	20160601	\triangle 1/1		