

Nov.1.2022 Copyright 2022 HIROSE ELECTRIC CO., LTD. All Rights Reserved.
In case of consideration for using Automotive equipment / device which demand high reliability, kindly contact our sales window correspondents.

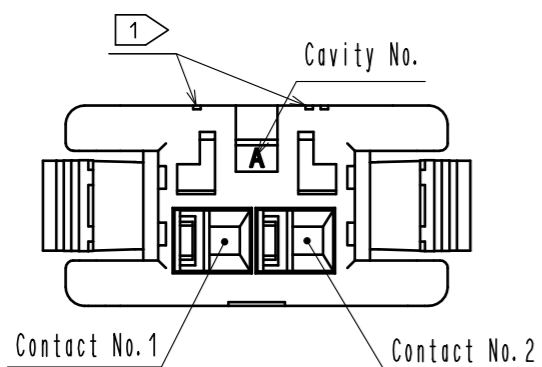
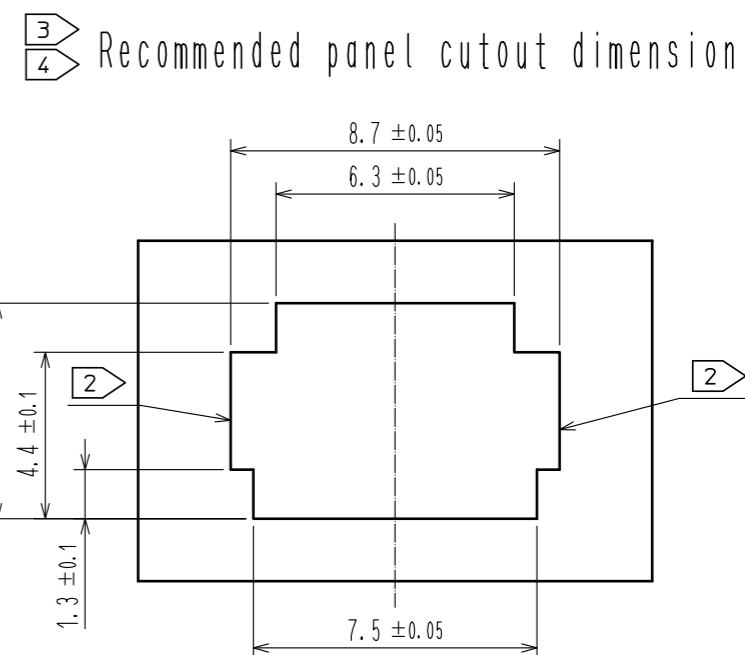
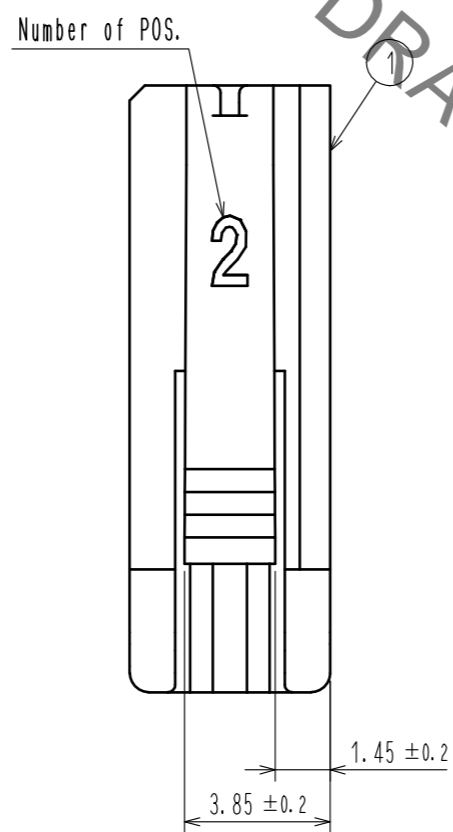
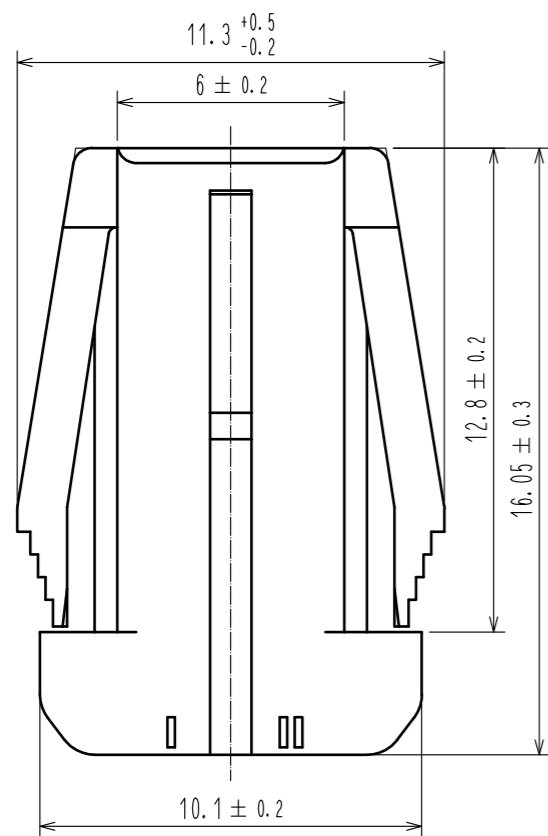
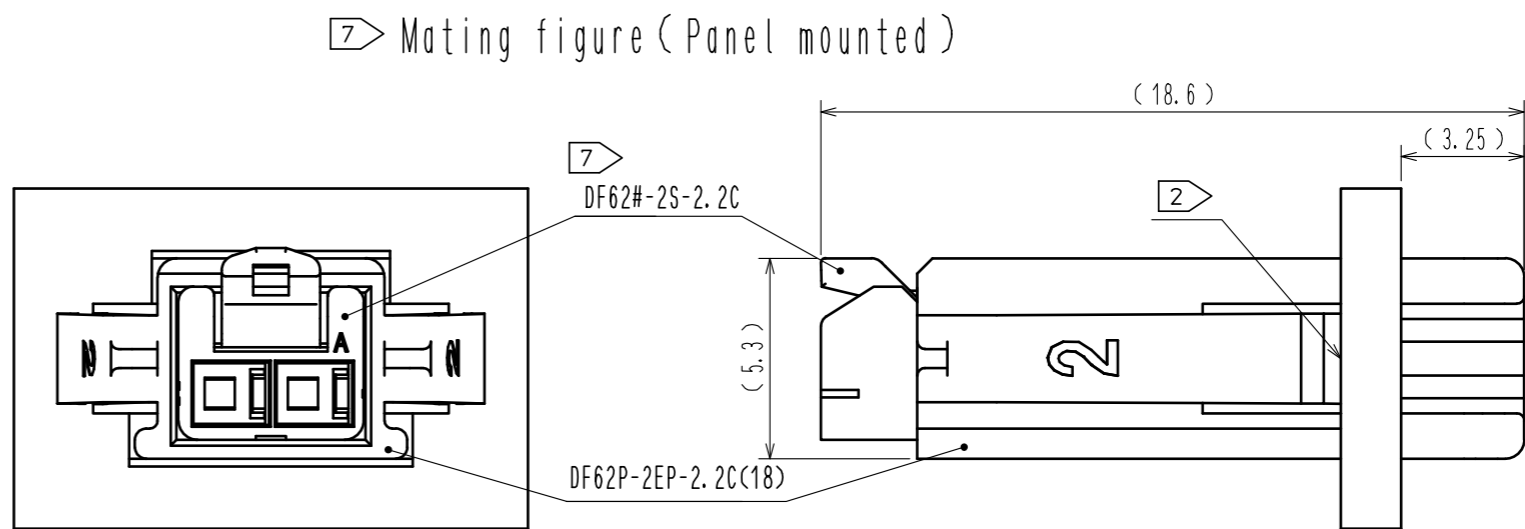
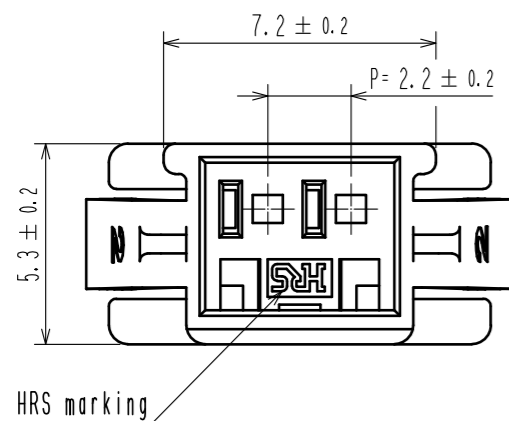
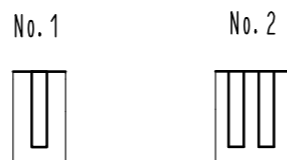


Figure-1 contact No. marking (10:1)



- NOTE.
- 1 Markings at the indicated position are contact No. marking. And shapes are shown in figure-1.
 - 2 Please use the non-radius side for the panel hooking area.
 - 3 Applicable panel thickening is 2.3 to 0.5mm.
 - 4 Consult HIROSE for the other panel cutout designs than the recommended one.
 - 5. Per pack : 100 pieces.
 - 6. The dimension in parenthesis are for reference.
 - 7 This figure shows the condition with DF62B-2S-2.2C.

NO.	MATERIAL	FINISH . REMARKS	1	PBT	UL94V-0(Red)			
UNITS	mm	SCALE	5 : 1	COUNT	DESCRIPTION OF REVISIONS	DESIGNED	CHECKED	DATE
APPROVED : HS. OKAWA			17.03.01	DRAWING NO.		EDC-349135-18-00		
CHECKED : HS. OKAWA			17.03.01	PART NO.		DF62P-2EP-2.2C(18)		
DESIGNED : YK. YAMAGUCHI			17.03.01	CODE NO.		CL544-0543-1-18		
DRAWN : YK. YAMAGUCHI			17.03.01			1/1		