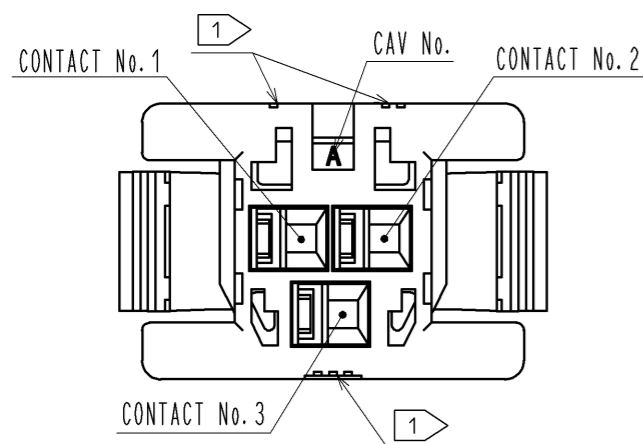
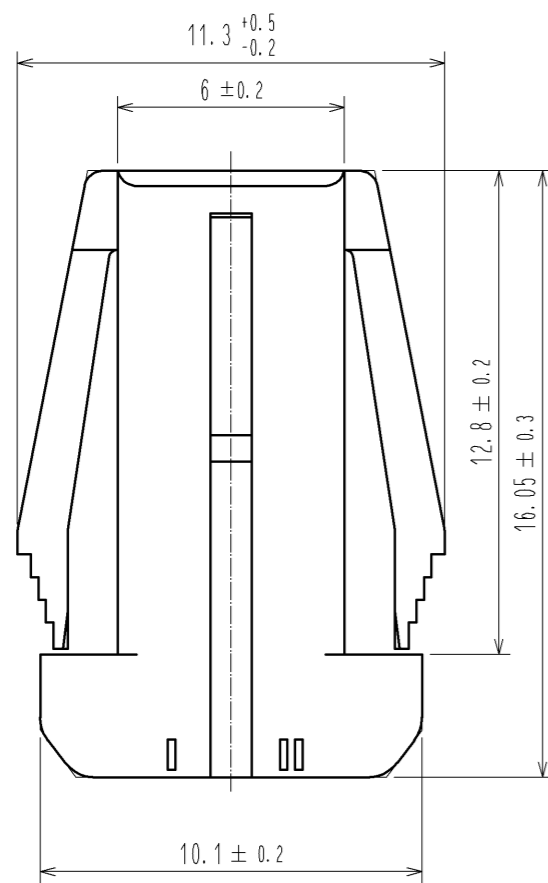
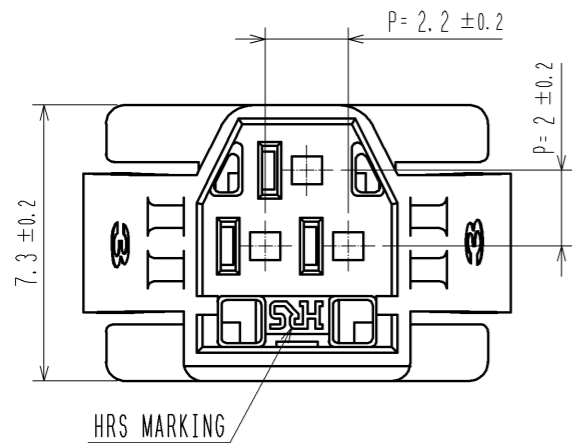
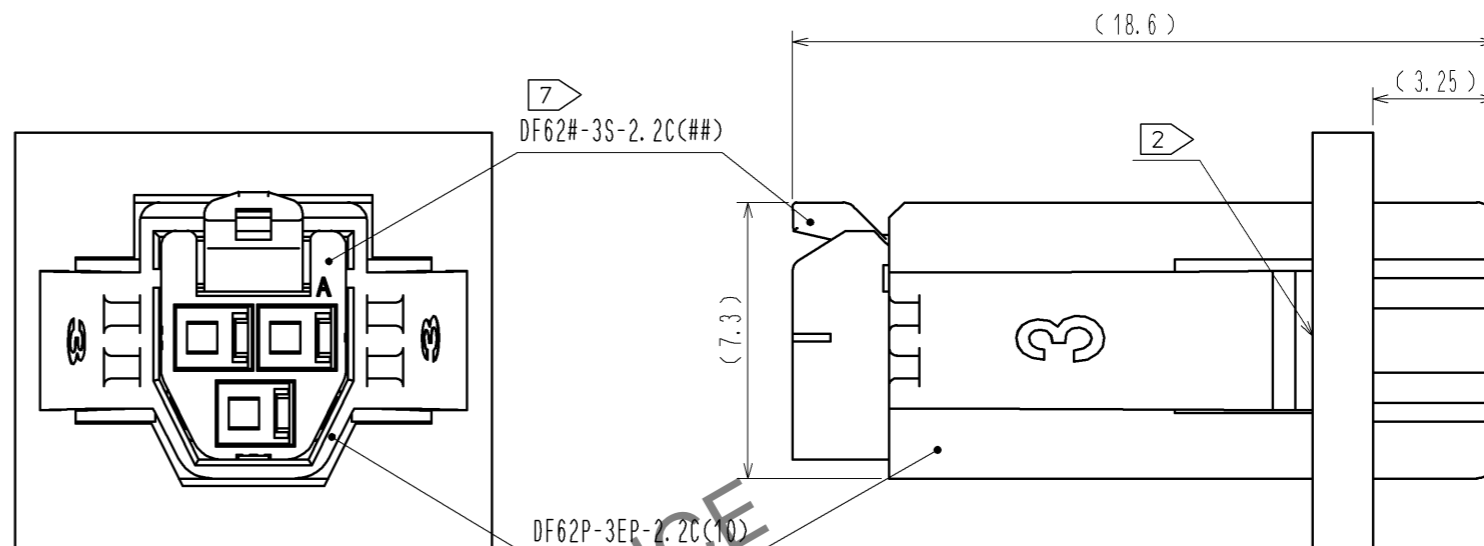


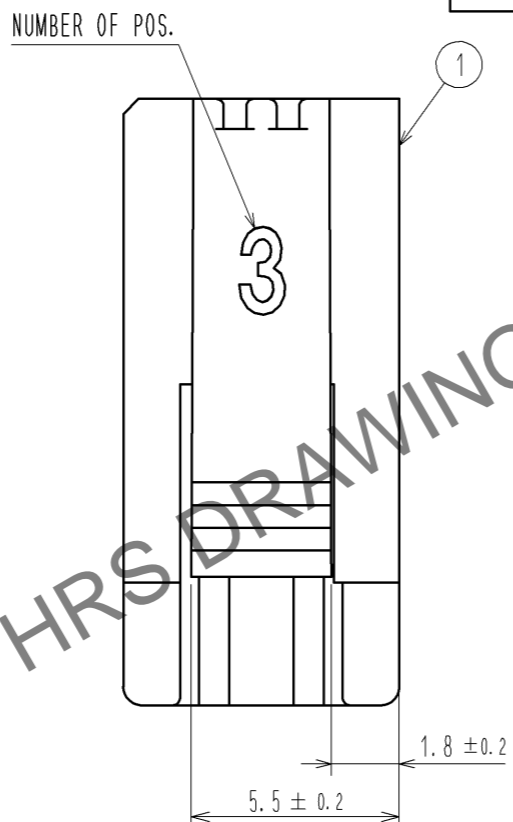
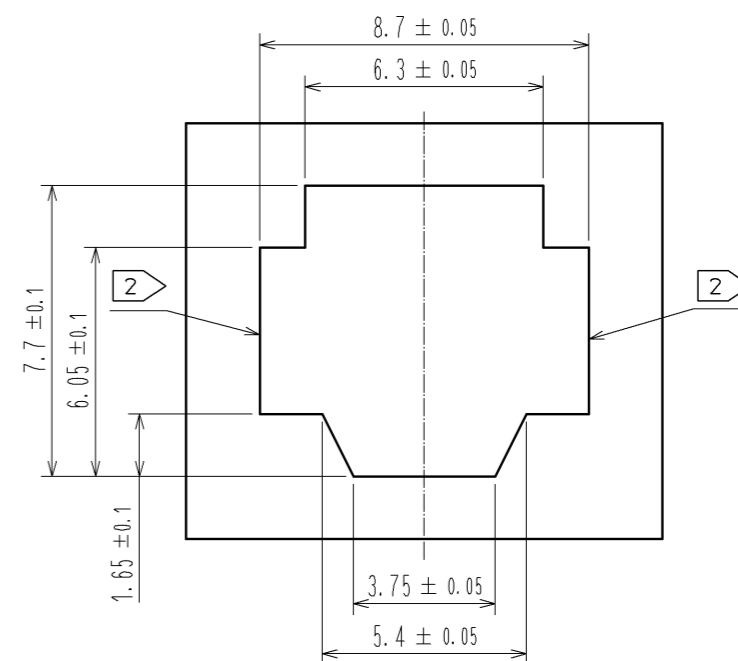
Apr.1.2026 Copyright 2026 HIROSE ELECTRIC CO., LTD. All Rights Reserved.
In case of consideration for using Automotive equipment / device which demand high reliability, kindly contact our sales window correspondents.



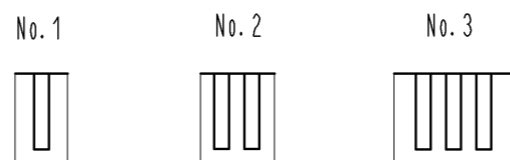
7 MATING FIGURE (PANEL MOUNTED)



3 4 RECOMMENDED PANEL CUTOUT DIMENSION



1 FIGURE-1 CONTACT No. MARKING (10:1)



- NOTE. 1 MARKINGS AT THE INDICATED POSITIONS ARE CONTACT NO. MARKING. AND SHAPES ARE SHOWN IN FIGURE-1.
 2 PLEASE USE THE NON-RADIUS SIDE FOR THE PANEL HOOKING AREA.
 3 APPLICABLE PANEL THICKNESSING IS 2.3 TO 0.5mm.
 4 CONSULT HIROSE FOR THE OTHER PANEL CUTOUT DESIGNS THAN THE RECOMMENDED ONE.
 5. PER PACK : 100 PIECES.
 6. THE DIMENSIONS IN PARENTHESIS ARE FOR REFERENCE.
 7 THIS FIGURE SHOWS THE MATED CONDITION WITH DF62B-3S-2.2C.

NO.	MATERIAL	FINISH . REMARKS	1	PBT	UL94V-0(WHITE)			
UNITS	mm	SCALE	5 : 1	COUNT	DESCRIPTION OF REVISIONS	DESIGNED	CHECKED	DATE
APPROVED : KI. AKIYAMA			14.03.10	DRAWING NO.		EDC3-349136-01		
CHECKED : HK. UMEHARA			14.03.10	PART NO.		DF62P-3EP-2.2C(10)		
DESIGNED : TS. KUMAZAWA			14.03.07	CODE NO.		CL544-0544-4-10		
DRAWN : TS. KUMAZAWA			14.03.07					