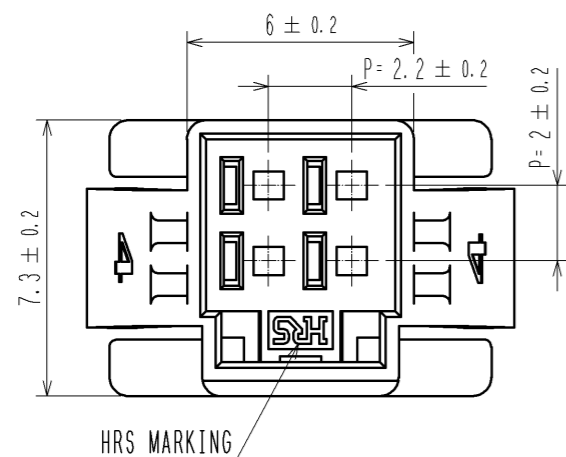
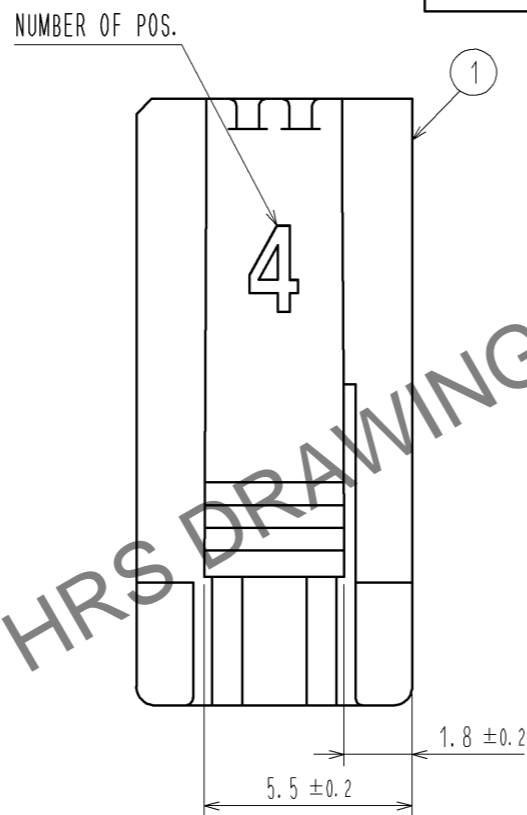
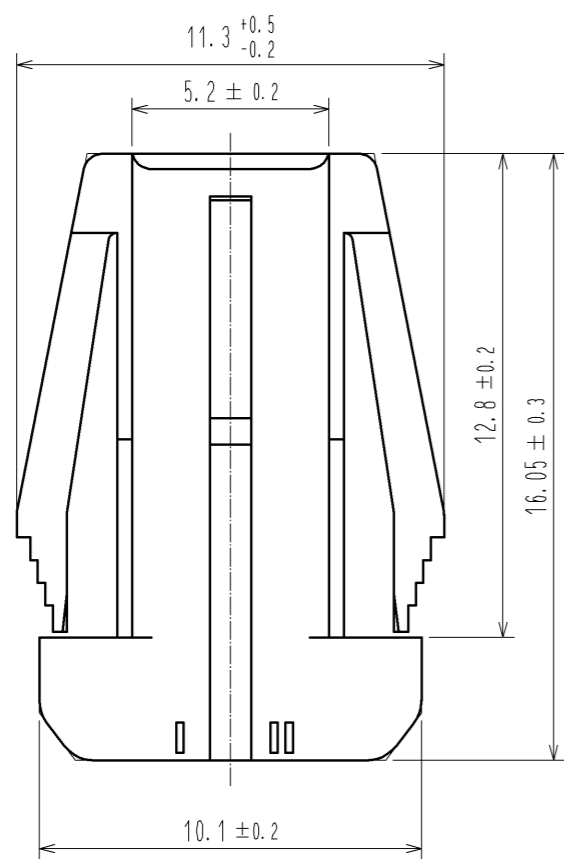
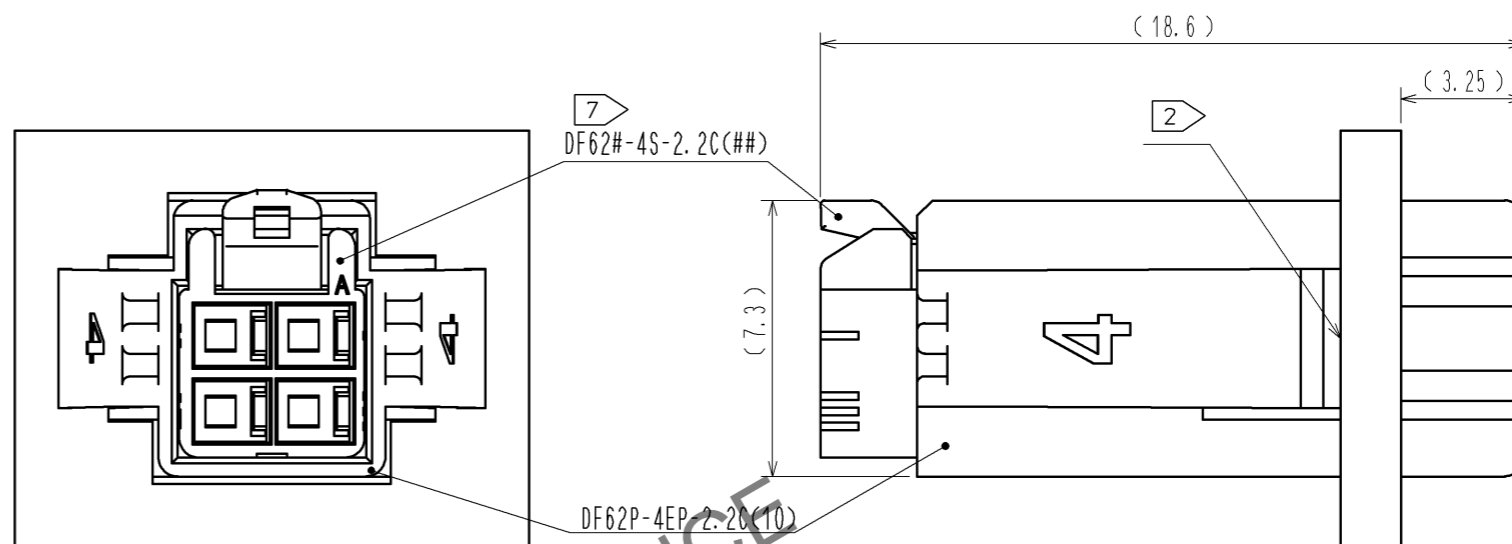


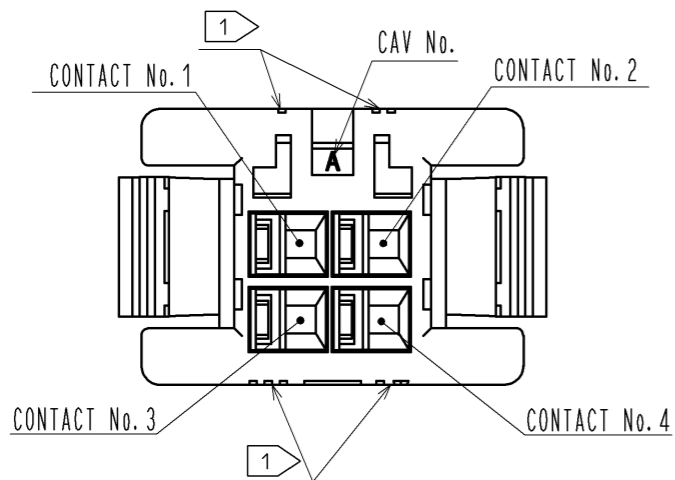
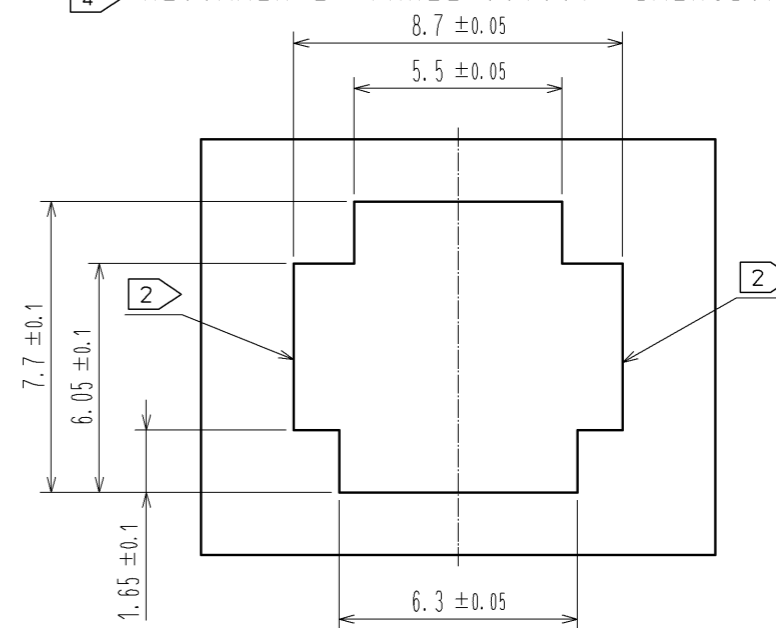
Apr.1.2026 Copyright 2026 HIROSE ELECTRIC CO., LTD. All Rights Reserved.  
In case of consideration for using Automotive equipment / device which demand high reliability, kindly contact our sales window correspondents.



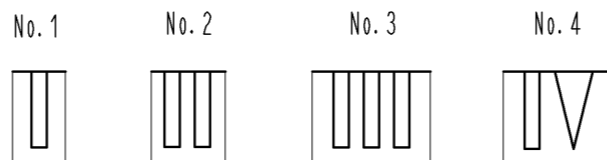
7 MATING FIGURE ( PANEL MOUNTED )



3 4 RECOMMENDED PANEL CUTOUT DIMENSION



1 FIGURE-1 CONTACT No. MARKING (10:1)



- NOTE. 1 MARKINGS AT THE INDICATED POSITIONS ARE CONTACT NO. MARKING. AND SHAPES ARE SHOWN IN FIGURE-1.  
 2 PLEASE USE THE NON-RADIUS SIDE FOR THE PANEL HOOKING AREA.  
 3 APPLICABLE PANEL THICKNESSING IS 2.3 TO 0.5mm.  
 4 CONSULT HIROSE FOR THE OTHER PANEL CUTOUT DESIGNS THAN THE RECOMMENDED ONE.  
 5. PER PACK : 100 PIECES.  
 6. THE DIMENSIONS IN PARENTHESIS ARE FOR REFERENCE.  
 7 THIS FIGURE SHOWS THE MATED CONDITION WITH DF62B-4S-2-2C.

NO.	MATERIAL	FINISH . REMARKS	1	PBT	UL94V-0(WHITE)	
UNITS	mm	SCALE	5 : 1	DESIGNED	CHECKED	DATE
APPROVED : KI. AKIYAMA			14. 03. 10	DRAWING NO. EDC3-349137-01		
CHECED : HK. UMEHARA			14. 03. 10	PART NO. DF62P-4EP-2. 2C(10)		
DESIGNED : TS. KUMAZAWA			14. 03. 07	CODE NO. CL544-0545-7-10		
DRAWN : TS. KUMAZAWA			14. 03. 07	1/1		