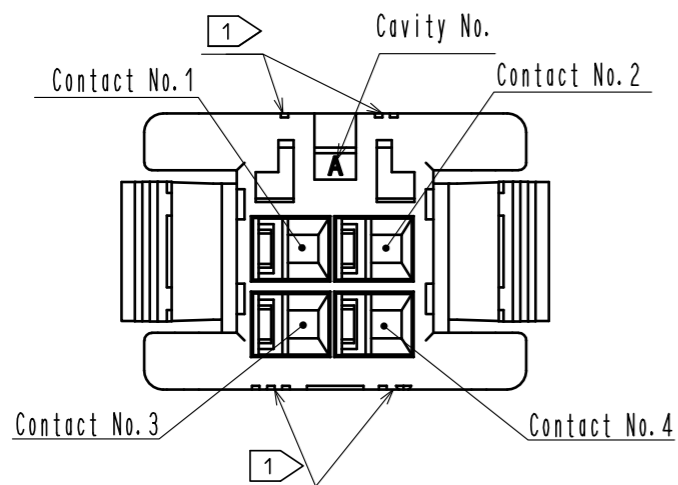
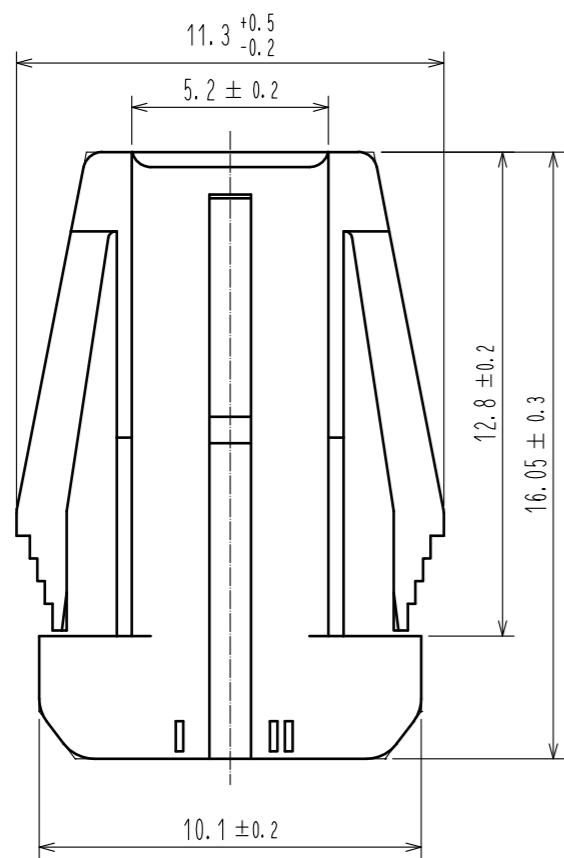
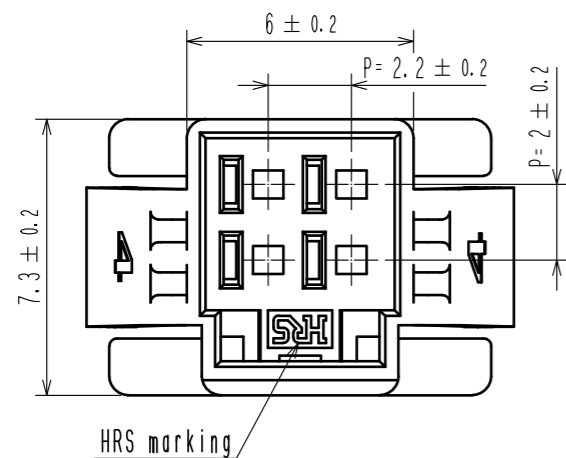
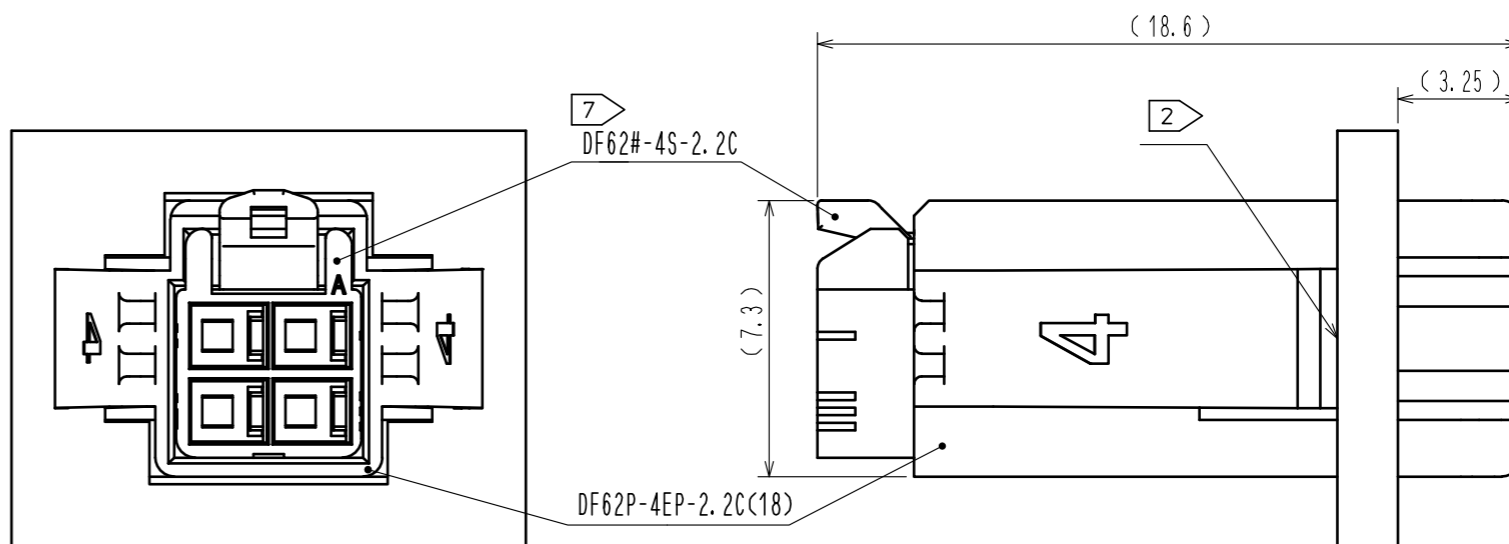


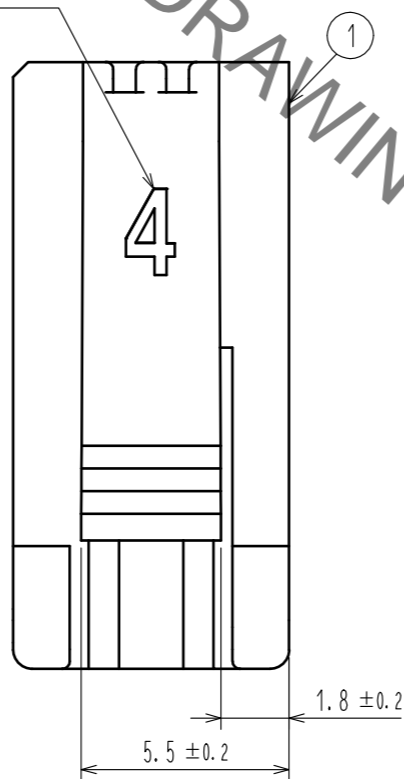
Nov.1.2022 Copyright 2022 HIROSE ELECTRIC CO., LTD. All Rights Reserved.
In case of consideration for using Automotive equipment / device which demand high reliability, kindly contact our sales window correspondents.



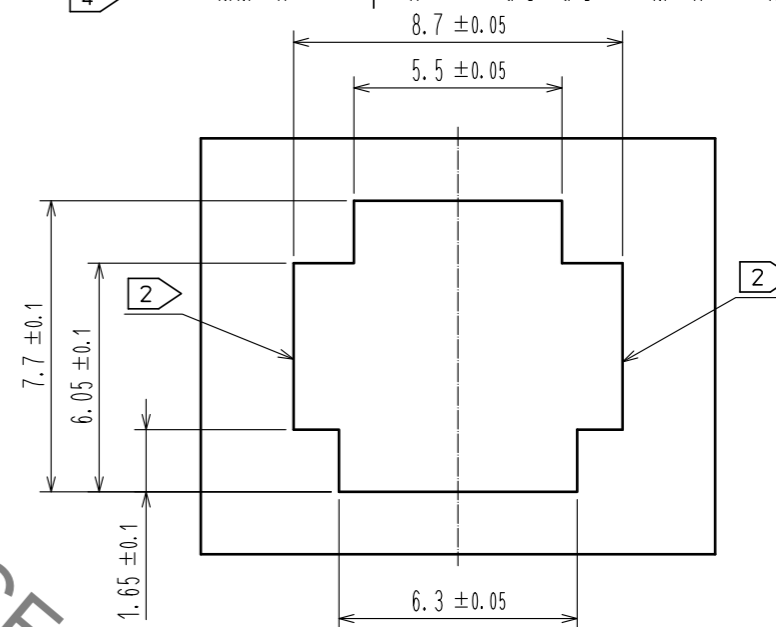
7 Mating figure (Panel mounted)



Number of POS.

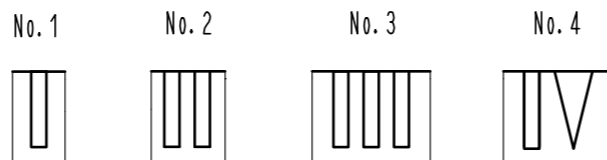


3 Recommended panel cutout dimension



- NOTE.
- 1 Markings at the indicated position are contact No. marking. And shapes are shown in figure-1.
 - 2 Please use the non-radius side for the panel hooking area.
 - 3 Applicable panel thicknessing is 2.3 to 0.5mm.
 - 4 Consult HIROSE for the other panel cutout designs than the recommended one.
 - 5. Per pack : 100 pieces.
 - 6. The dimension in parenthesis are for reference.
 - 7 This figure shows the condition with DF62B-2S-2.2C.

1 Figure-1 contact No. marking (10:1)



NO.	MATERIAL	FINISH . REMARKS	NO.	MATERIAL	FINISH . REMARKS
			1	PBT	UL94V-0(Red)
UNITS	mm	SCALE	DESCRIPTION OF REVISIONS		
		5 : 1	DESIGNED	CHECKED	DATE
APPROVED : HS. OKAWA		17.03.01	DRAWING NO. EDC-349137-18-00		
CHECKED : HS. OKAWA		17.03.01	PART NO. DF62P-4EP-2.2C(18)		
DESIGNED : YK. YAMAGUCHI		17.03.01	CODE NO. CL544-0545-7-18		
DRAWN : YK. YAMAGUCHI		17.03.01	1/1		