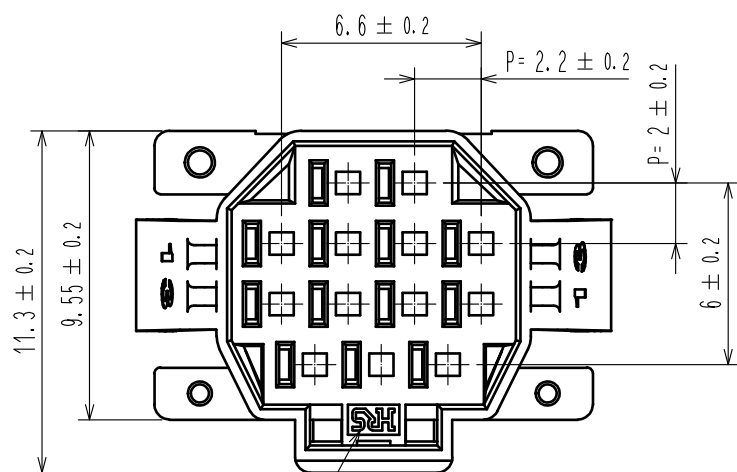
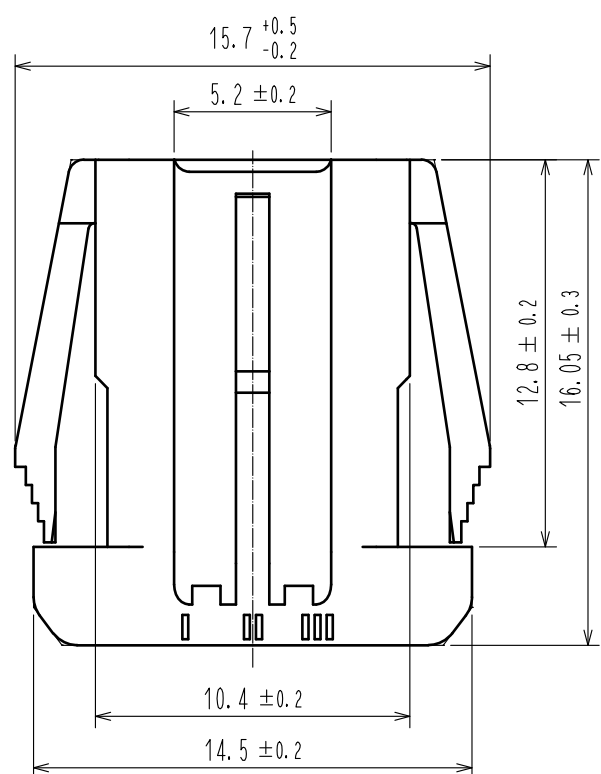
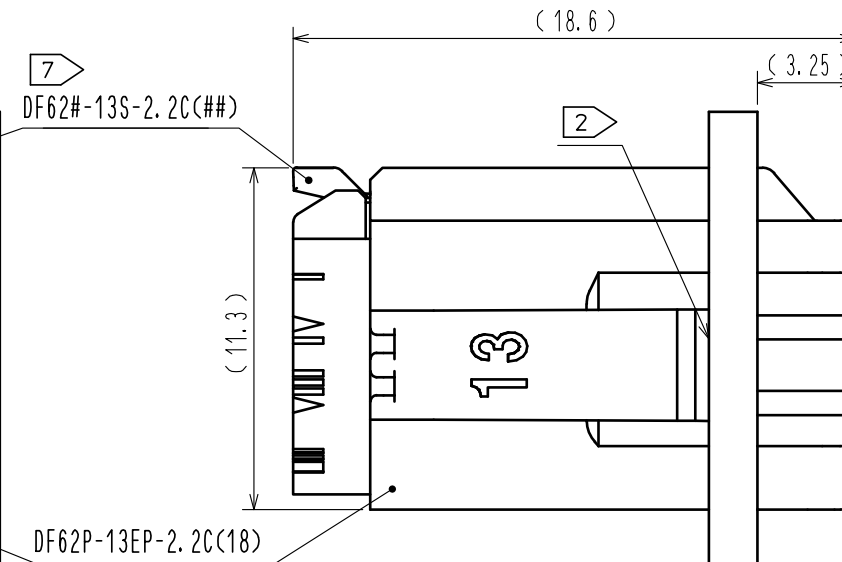
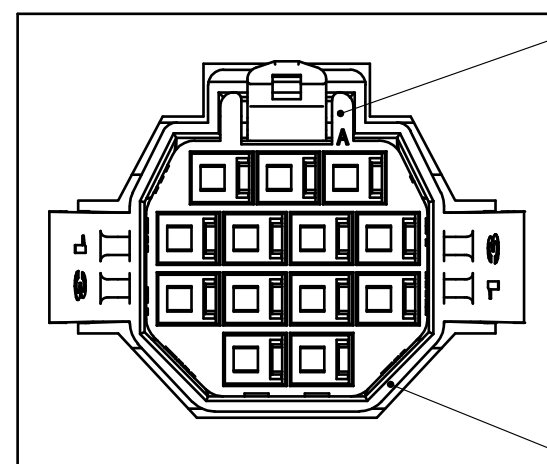


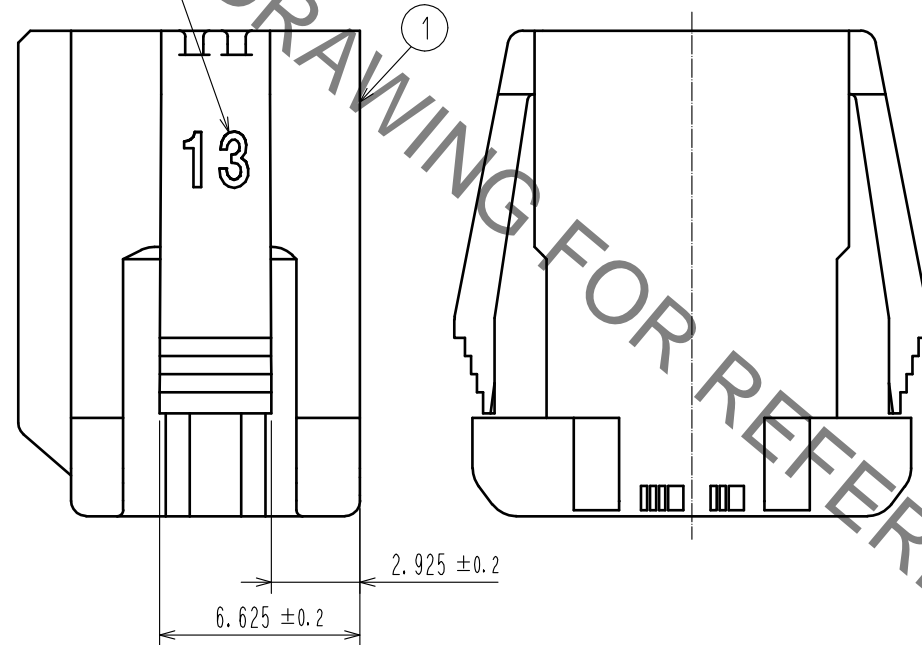
Jul.1.2022 Copyright 2022 HIROSE ELECTRIC CO., LTD. All Rights Reserved.  
 In case of consideration for using Automotive equipment / device which demand high reliability, kindly contact our sales window correspondents.



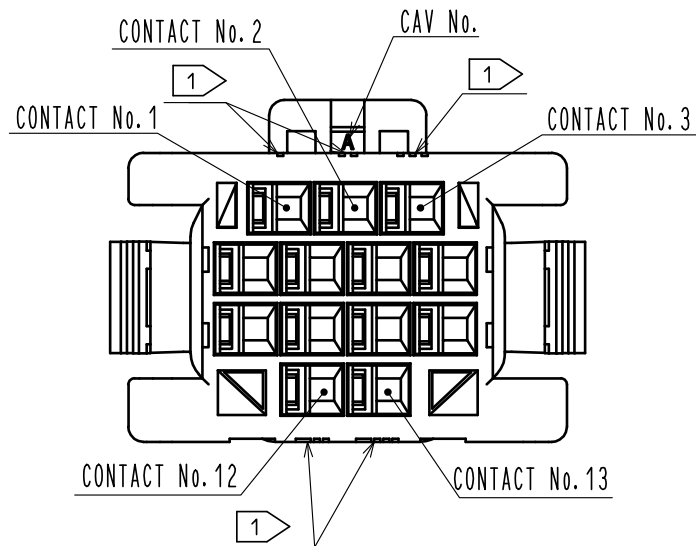
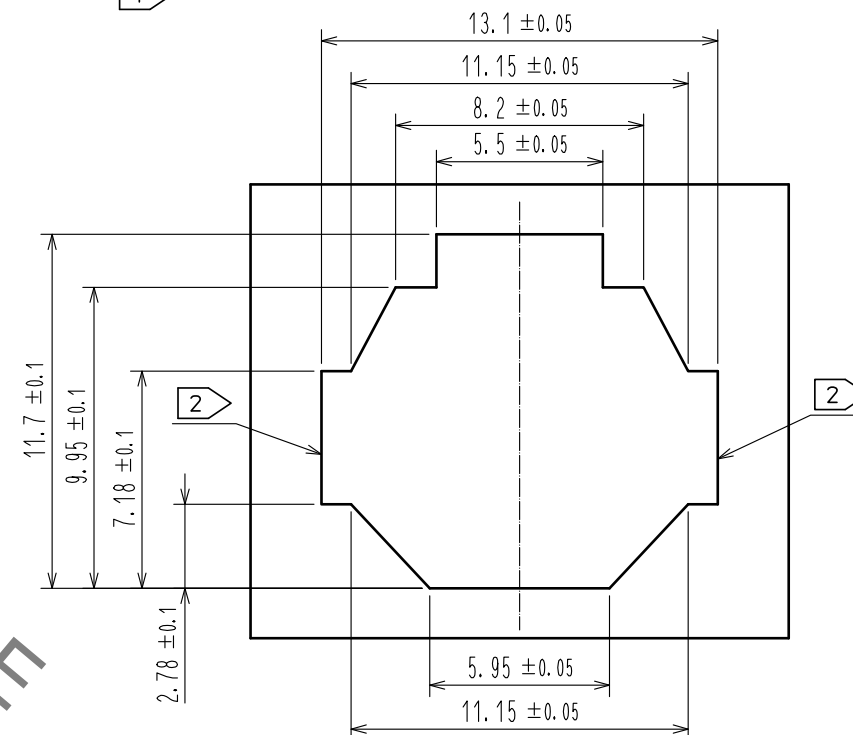
7 MATING FIGURE ( PANEL MOUNTED )



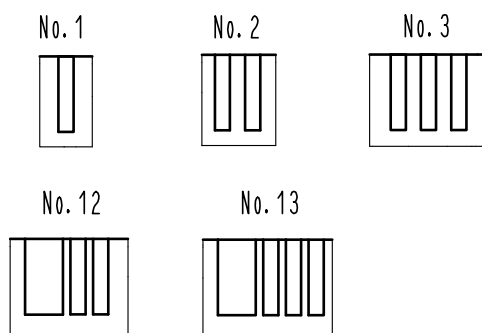
NUMBER OF POS



3 4 RECOMMENDED PANEL CUTOUT DIMENSION



1 FIGURE-1 CONTACT No. MARKING (10:1)



- NOTE. 1 MARKINGS AT THE INDICATED POSITIONS ARE CONTACT NO. MARKING. AND SHAPES ARE SHOWN IN FIGURE-1.  
 2 PLEASE USE THE NON-RADIUS SIDE FOR THE PANEL HOOKING AREA.  
 3 APPLICABLE PANEL THICKENING IS 2.3 TO 0.5mm.  
 4 CONSULT HIROSE FOR THE OTHER PANEL CUTOUT DESIGNS THAN THE RECOMMENDED ONE.  
 5. PER PACK : 100 PIECES.  
 6. THE DIMENSIONS IN PARENTHESIS ARE FOR REFERENCE.  
 7 THIS FIGURE SHOWS THE MATED CONDITION WITH DF62B-13S-2.2C.

NO.		MATERIAL		FINISH . REMARKS		1	PBT	UL94V-0(CRED)		
UNITS		SCALE		COUNT		DESCRIPTION OF REVISIONS		DESIGNED	CHECKED	DATE
mm		4 : 1		△						
APPROVED		: SJ. OKAMURA		20220207		DRAWING NO.		EDC-349141-18-00		
CHECKED		: SZ. ONO		20220204		PART NO.		DF62P-13EP-2.2C(18)		
DESIGNED		: SS. YAMASAKI		20220204		CODE NO.		CL0544-0549-8-18		
DRAWN		: SS. YAMASAKI		20220204				1/1		