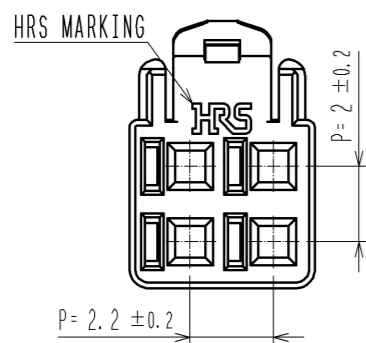
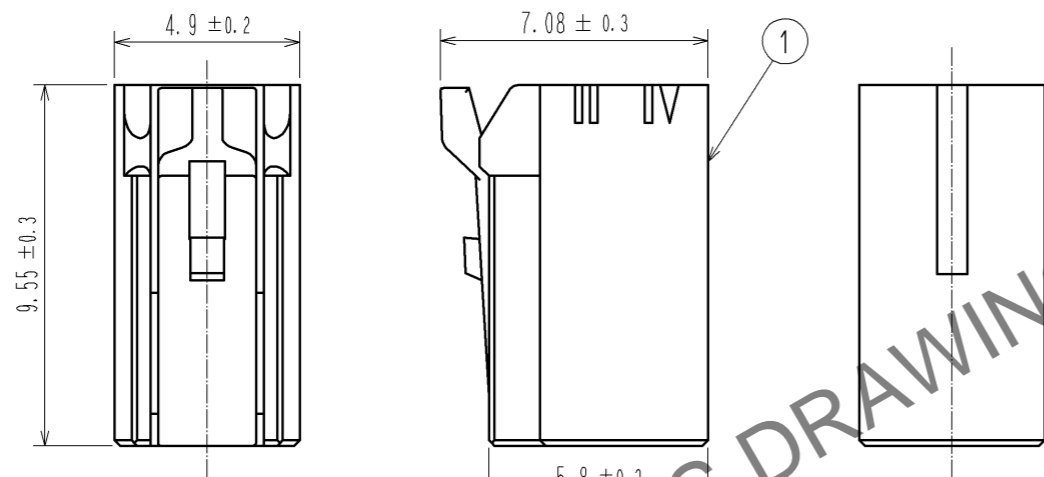
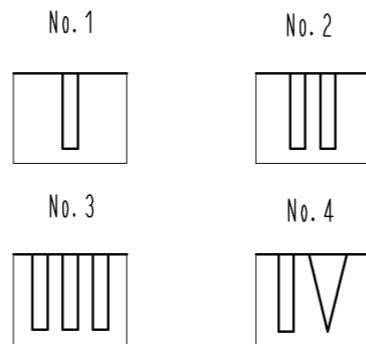
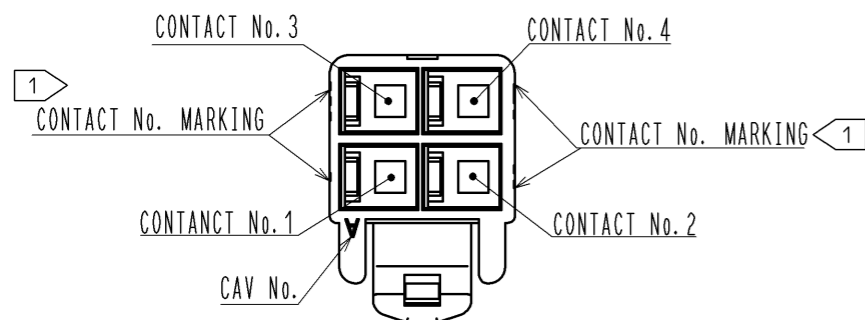


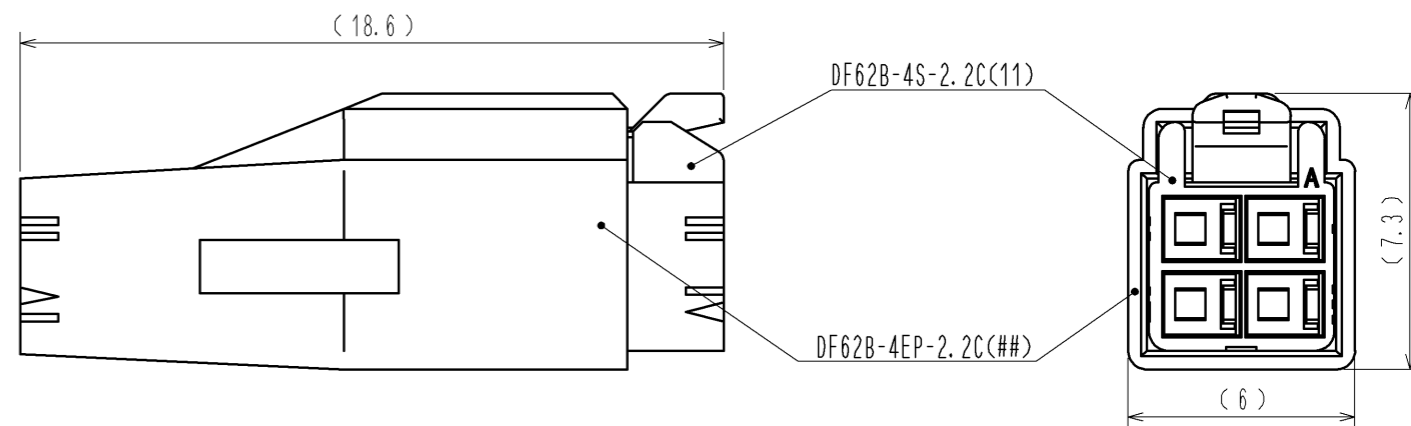
Apr.1.2026 Copyright 2026 HIROSE ELECTRIC CO., LTD. All Rights Reserved.
 In case of consideration for using Automotive equipment / device which demand high reliability, kindly contact our sales window correspondents.

1> FIGURE-1 CONTACT No. MARKING (10:1)



HRS DRAWING FOR REFERENCE

MATING FIGURE



- NOTE. 1> MARKINGS AT THE INDICATED POSITIONS ARE CONTACT NO. MARKING. AND SHAPES ARE SHOWN IN FIGURE-1.
 2. PER PACK : 100 PIECES.
 3. THE DIMENSIONS IN PARENTHESIS ARE FOR REFERENCE.

NO.		MATERIAL		FINISH . REMARKS		1	PBT	UL94V-0 (BLACK)
UNITS mm		SCALE 5 : 1		COUNT		DESIGNED		CHECKED
HRS		HIROSE ELECTRIC CO., LTD.		APPROVED : KI. AKIYAMA		13.05.29	DRAWING NO. EDC3-351957-01	
				CHECKED : HK. UMEHARA		13.05.29	PART NO. DF62B-4S-2.2C(11)	
				DESIGNED : TS. KUMAZAWA		13.05.29	CODE NO. CL544-0553-5-11	
				DRAWN : TS. KUMAZAWA		13.05.29	DATE	