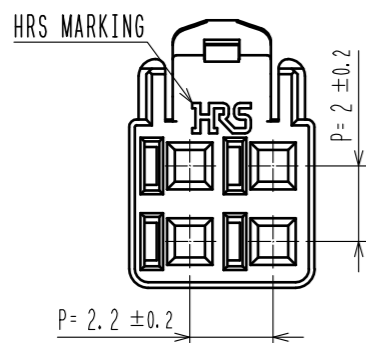
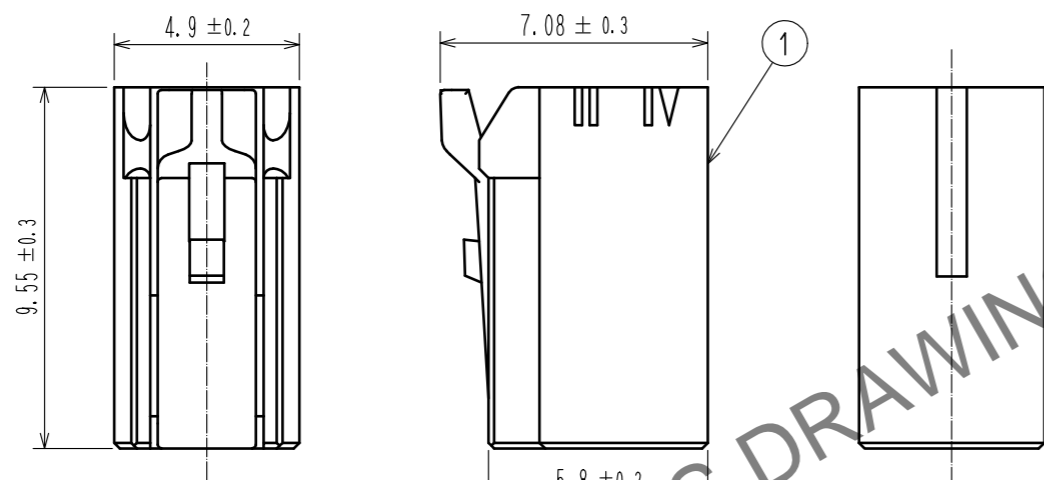
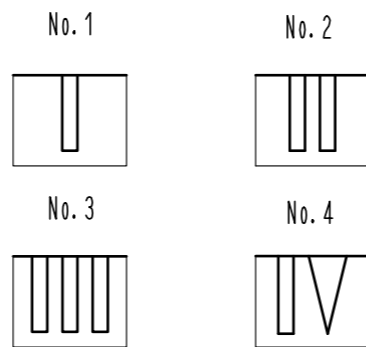
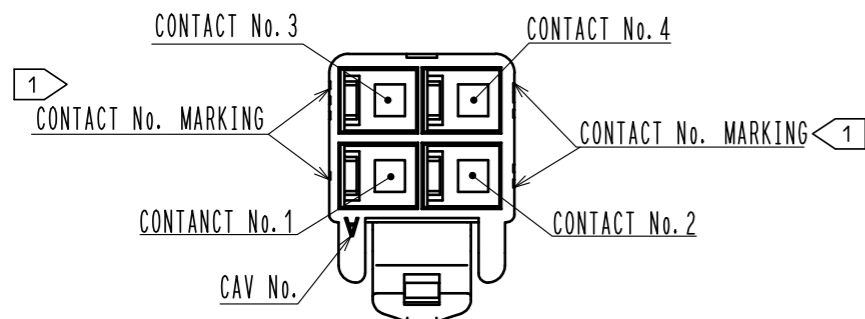


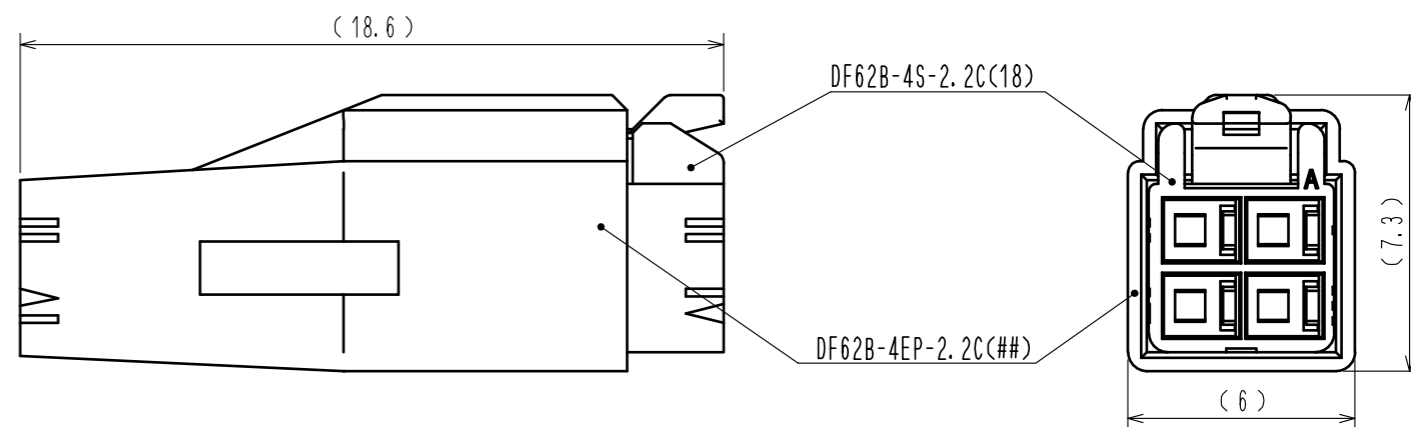
Nov.1.2024 Copyright 2024 HIROSE ELECTRIC CO., LTD. All Rights Reserved.
 In case of consideration for using Automotive equipment / device which demand high reliability, kindly contact our sales window correspondents.

1> FIGURE-1 CONTACT No. MARKING (10:1)



HRS DRAWING FOR REFERENCE

MATING FIGURE



- NOTE. 1> MARKINGS AT THE INDICATED POSITIONS ARE CONTACT NO. MARKING. AND SHAPES ARE SHOWN IN FIGURE-1.
 2. PER PACK : 100 PIECES.
 3. THE DIMENSIONS IN PARENTHESIS ARE FOR REFERENCE.

NO.		MATERIAL		FINISH . REMARKS		1	PBT	UL94V-0 (RED)		
UNITS mm		SCALE 5 : 1		COUNT		DESCRIPTION OF REVISIONS		DESIGNED	CHECKED	DATE
HIROSE ELECTRIC CO., LTD.		APPROVED : KI. AKIYAMA		16.03.25		DRAWING NO.		EDC-351957-18-00		
		CHECKED : TS. FUKUSHIMA		16.03.25		PART NO.		DF62B-4S-2.2C(18)		
		DESIGNED : TS. KUMAZAWA		16.03.25		CODE NO.		CL544-0553-5-18		
		DRAWN : TS. KUMAZAWA		16.03.25						