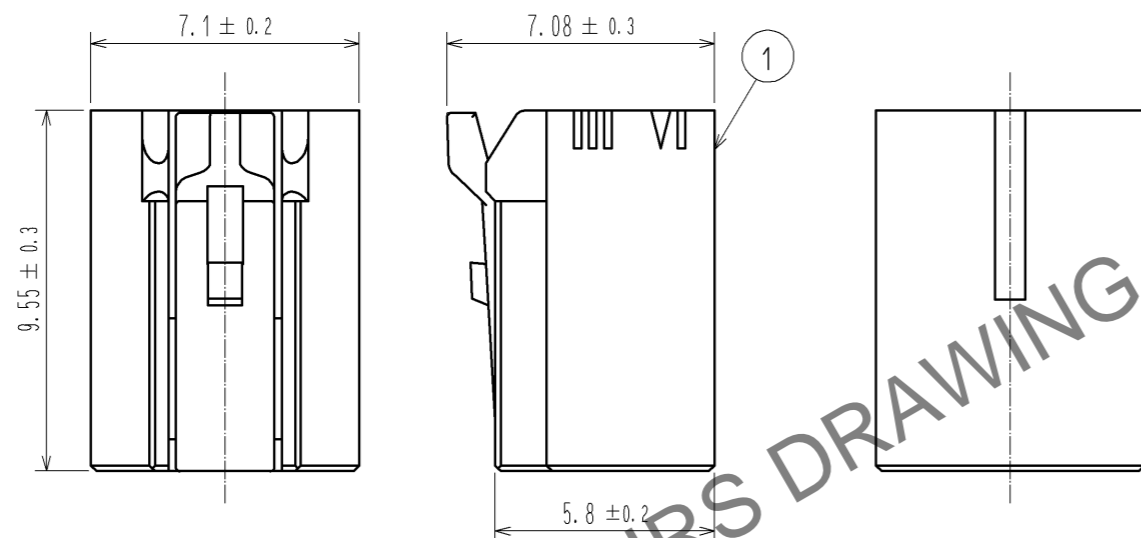
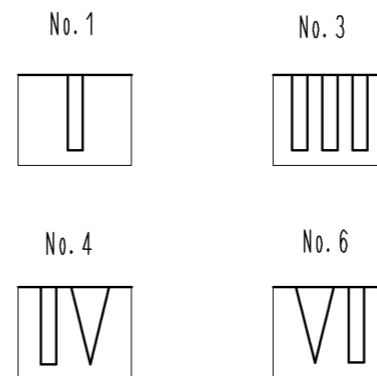
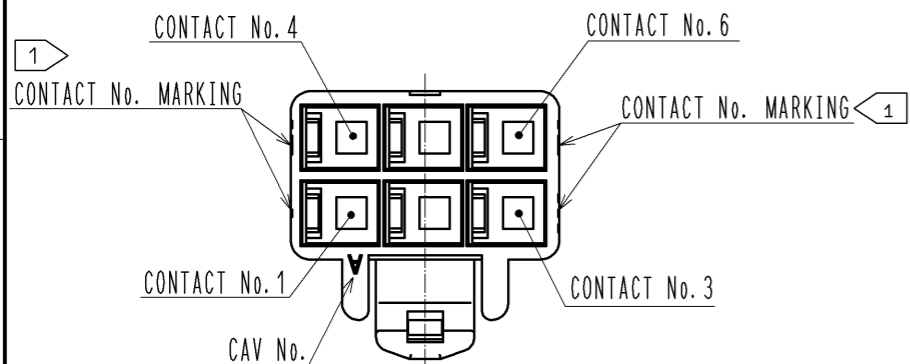
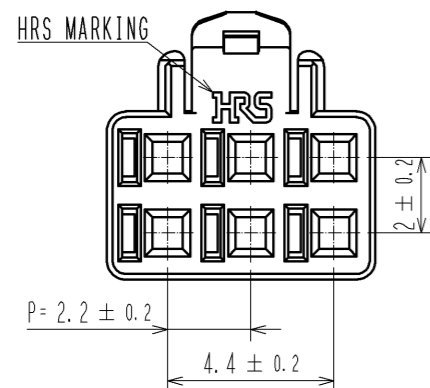
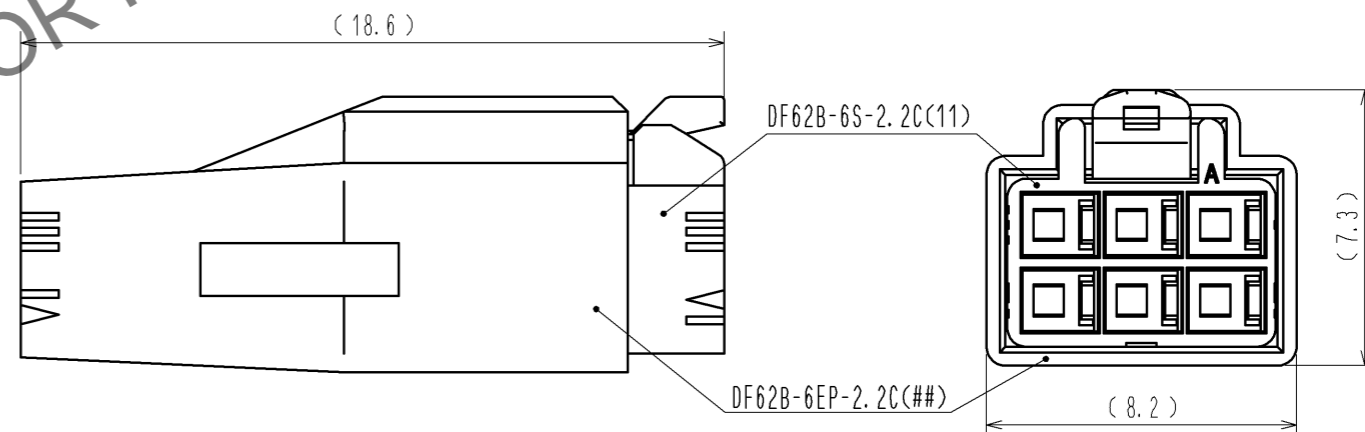


May.1.2026 Copyright 2026 HIROSE ELECTRIC CO., LTD. All Rights Reserved.
 In case of consideration for using Automotive equipment / device which demand high reliability, kindly contact our sales window correspondents.

1> FIGURE-1 CONTACT No. MARKING (10:1)



MATING FIGURE



NOTE. 1> MARKINGS AT THE INDICATED POSITIONS ARE CONTACT NO. MARKING. AND SHAPES ARE SHOWN IN FIGURE-1.
 2. PER PACK : 100 PIECES.
 3. THE DIMENSIONS IN PARENTHESIS ARE FOR REFERENCE.

NO.		MATERIAL		FINISH . REMARKS		1	PBT	UL94V-0 (BLACK)
UNITS mm		SCALE 5 : 1		COUNT		DESIGNED		CHECKED
DESCRIPTION OF REVISIONS		DATE		DRAWING NO.		EDC3-351960-01		
APPROVED : KI. AKIYAMA		13.05.29		PART NO.		DF62B-6S-2.2C(11)		
CHECED : HK. UMEHARA		13.05.29		CODE NO.		CL544-0555-0-11		
DESIGNED : TS. KUMAZAWA		13.05.29		DATE				
DRAWN : TS. KUMAZAWA		13.05.29						