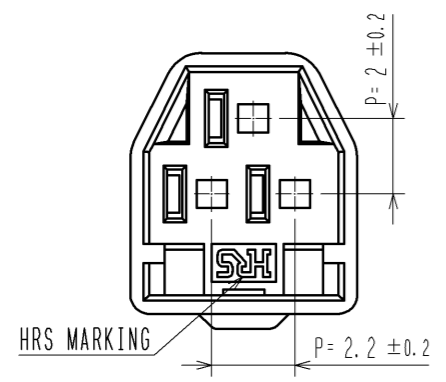
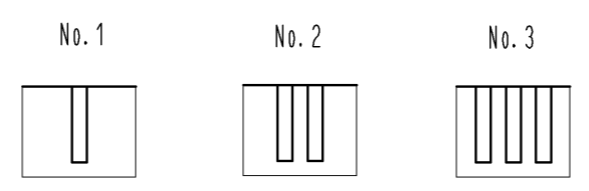


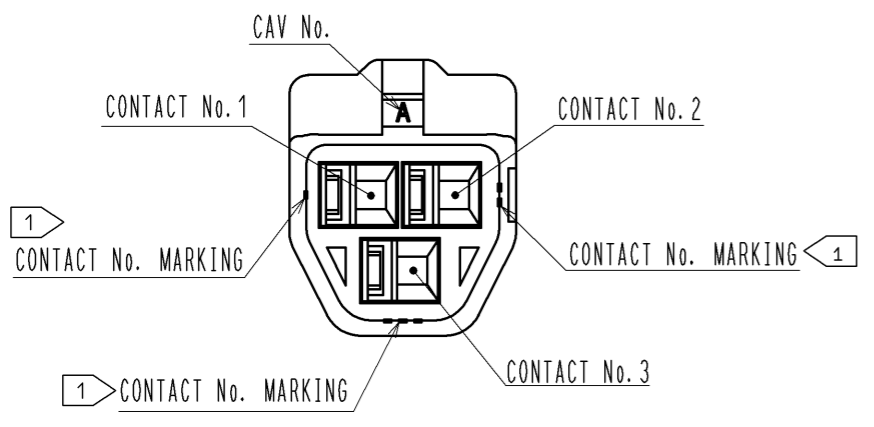
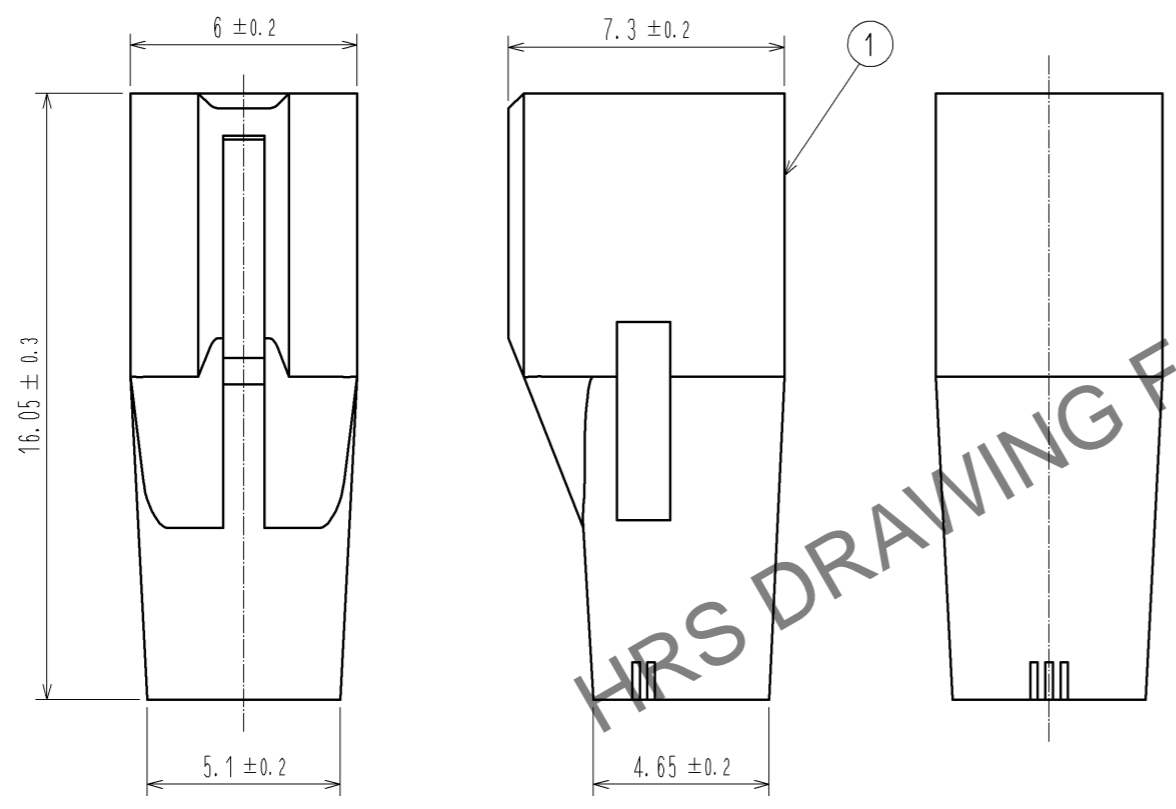
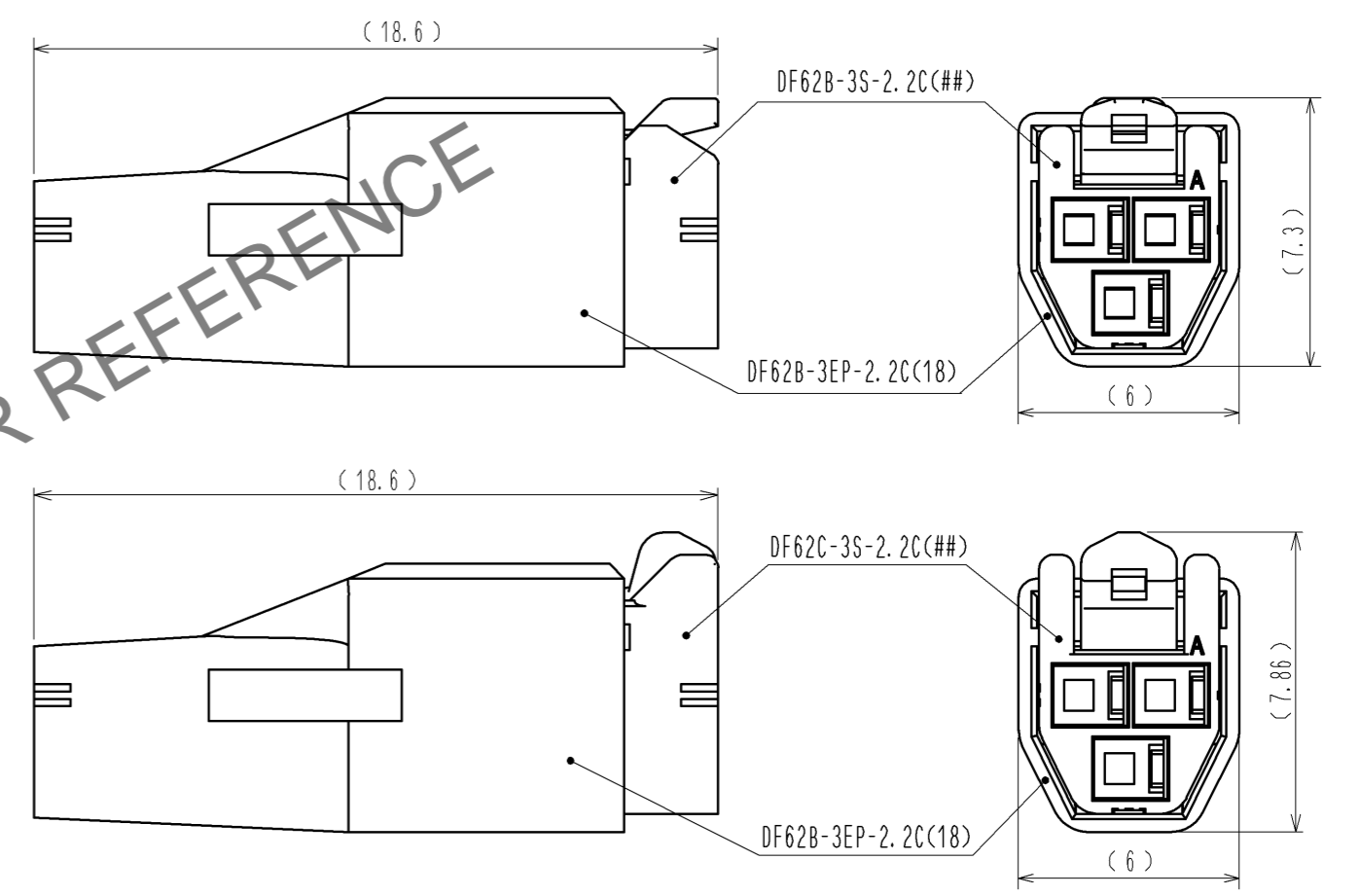
Nov.1.2024 Copyright 2024 HIROSE ELECTRIC CO., LTD. All Rights Reserved.
 In case of consideration for using Automotive equipment / device which demand high reliability, kindly contact our sales window correspondents.



1 FIGURE-1 CONTACT No. MARKING (10:1)



MATING FIGURE



NOTE. 1 MARKINGS AT THE INDICATED POSITIONS IS CONTACT NO. MARKING. AND SHAPES ARE SHOWN IN FIGURE-1.
 2. PER PACK : 100 PIECES.
 3. THE DIMENSIONS IN PARENTHESIS ARE FOR REFERENCE.

NO.		MATERIAL		FINISH . REMARKS		1	PBT	UL94V-0(RED)		
UNITS mm		SCALE 5 : 1		COUNT		DESCRIPTION OF REVISIONS		DESIGNED	CHECKED	DATE
HIROSE ELECTRIC CO., LTD.		APPROVED : KI. AKIYAMA		13. 09. 10		DRAWING NO.		EDC3-351964-02		
		CHECKED : OM. MIYAMOTO		13. 09. 10		PART NO.		DF62B-3EP-2. 2C(18)		
		DESIGNED : TH. YOSHIZAWA		13. 09. 09		CODE NO.		CL544-0559-1-18		
		DRAWN : MI. SAKIMURA		13. 09. 04						