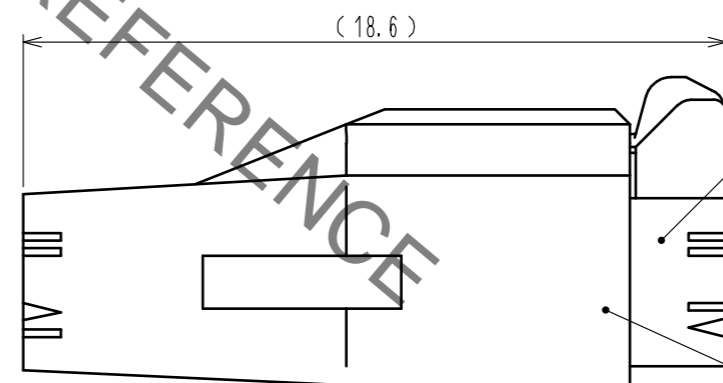
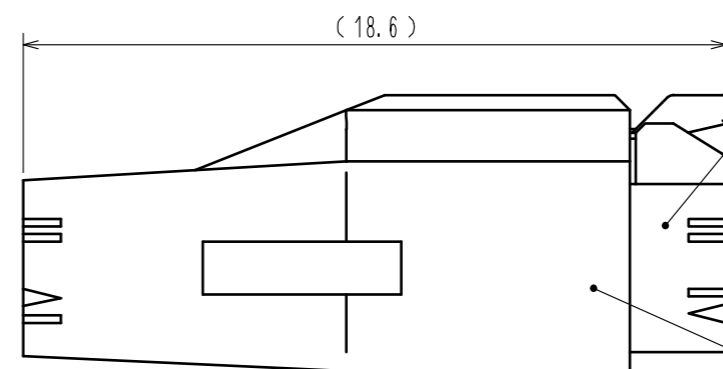
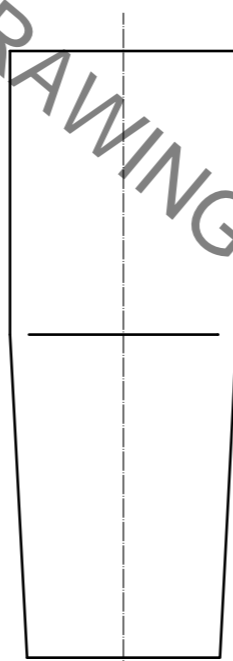
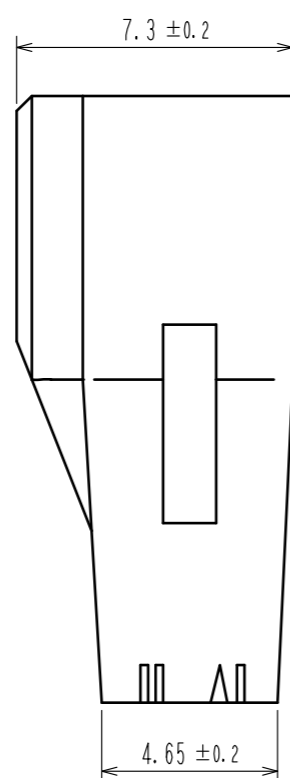
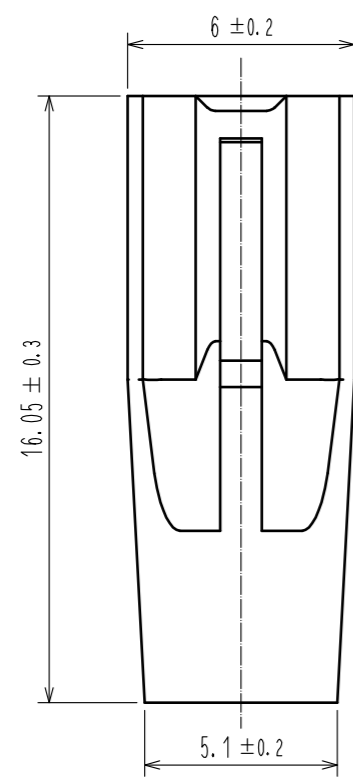
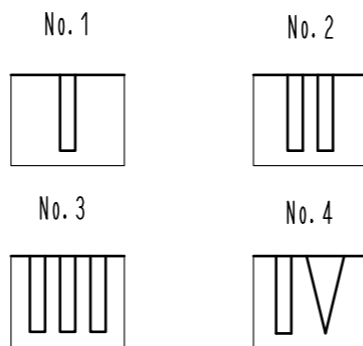
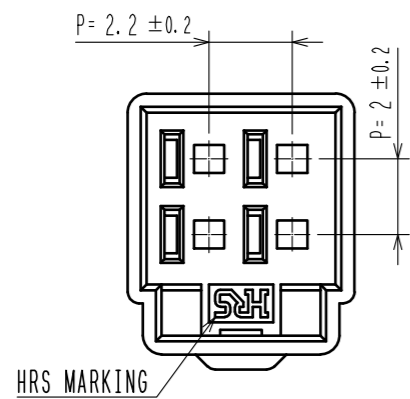
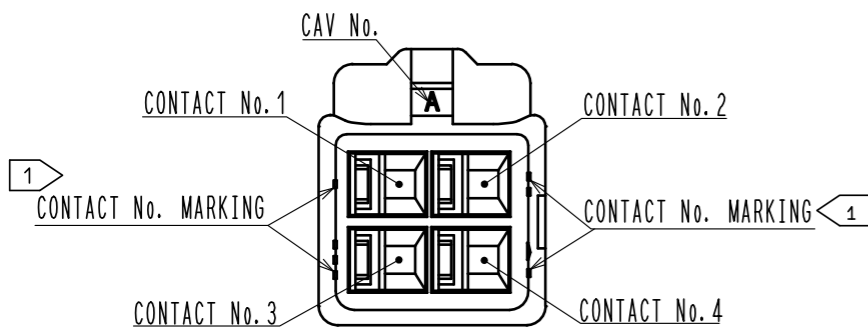
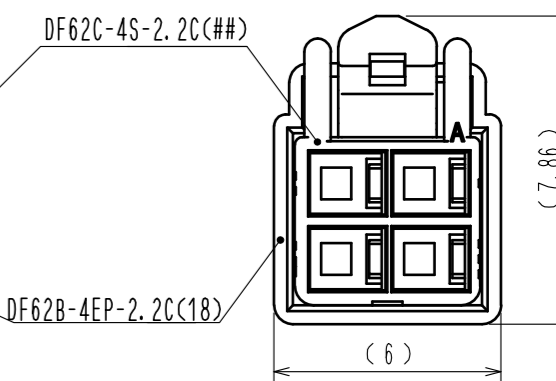
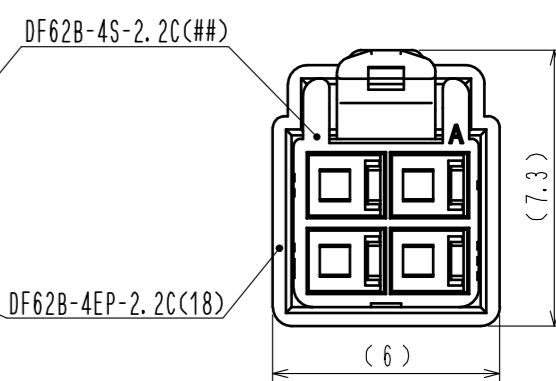


Nov.1.2022 Copyright 2022 HIROSE ELECTRIC CO., LTD. All Rights Reserved.
 In case of consideration for using Automotive equipment / device which demand high reliability, kindly contact our sales window correspondents.

1 FIGURE-1 CONTACT No. MARKING (10:1)



MATING FIGURE



- NOTE. 1. MARKINGS AT THE INDICATED POSITIONS ARE CONTACT NO. MARKING. AND SHAPES ARE SHOWN IN FIGURE-1.
 2. PER PACK : 100 PIECES.
 3. THE DIMENSIONS IN PARENTHESIS ARE FOR REFERENCE.

NO.	MATERIAL	FINISH . REMARKS	NO.	MATERIAL	FINISH . REMARKS
			1	PBT	UL94V-0 (RED)
UNITS	mm	SCALE	5 : 1	COUNT	DESCRIPTION OF REVISIONS
APPROVED : KI. AKIYAMA		16.03.25		DRAWING NO. EDC-351965-18-00	
CHECKED : TS. FUKUSHIMA		16.03.25		PART NO. DF62B-4EP-2.2C(18)	
DESIGNED : TS. KUMAZAWA		16.03.25		CODE NO. CL544-0560-0-18	
DRAWN : TS. KUMAZAWA		16.03.25		DATE	