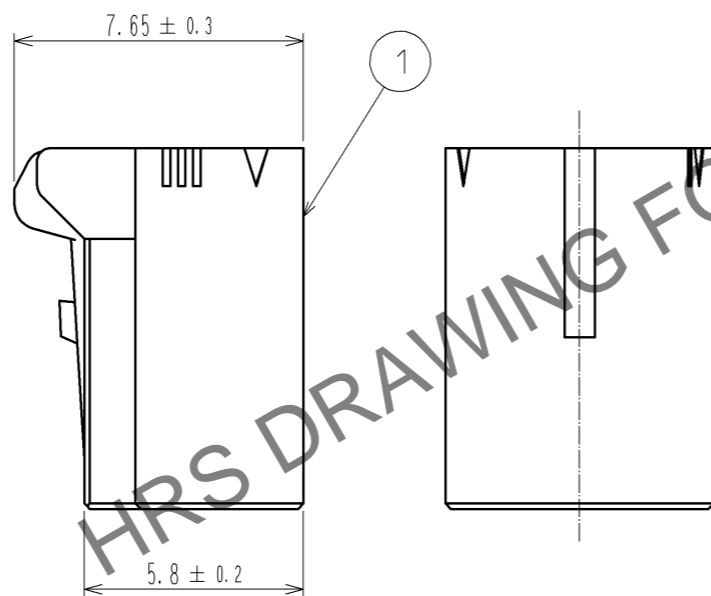
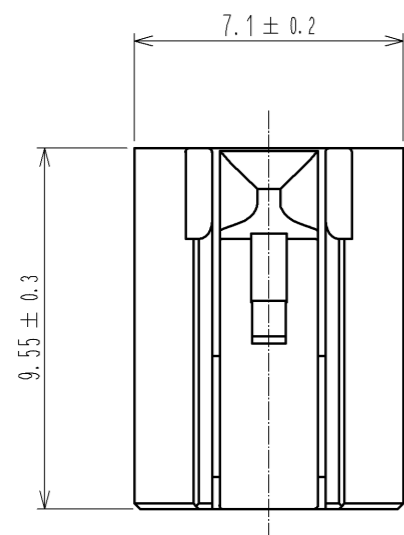
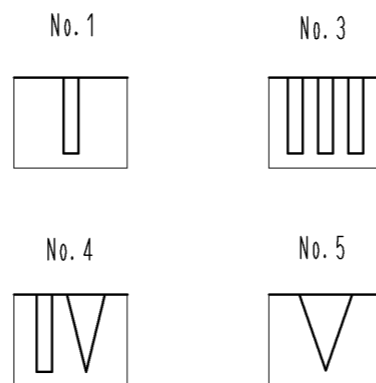
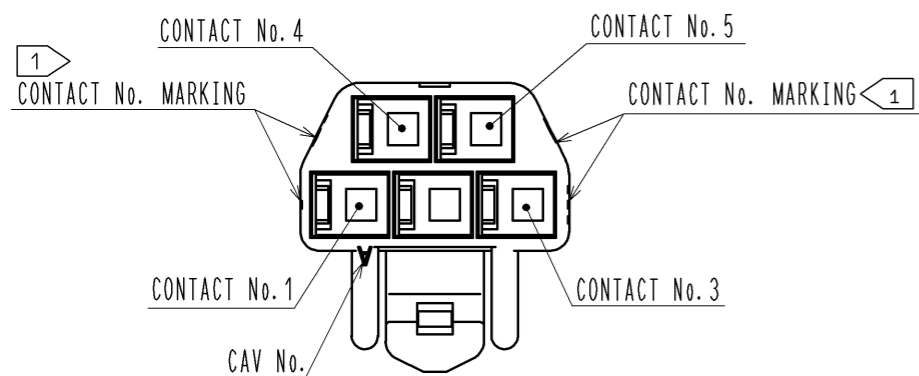
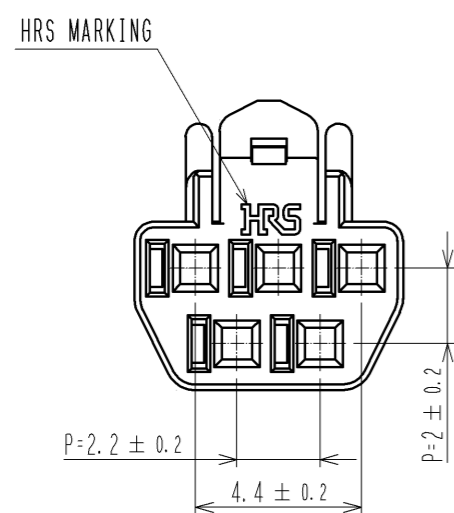
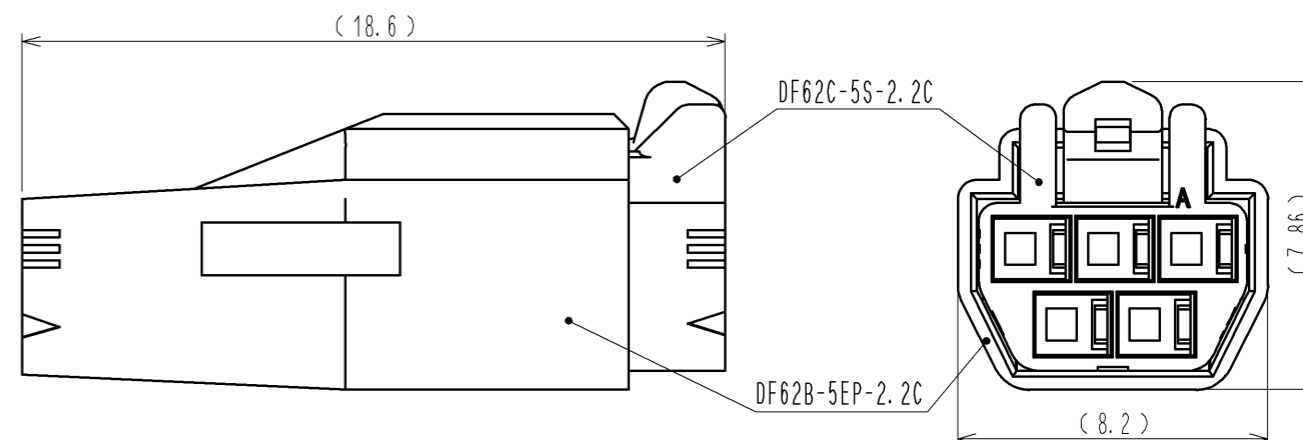


Apr.1.2026 Copyright 2026 HIROSE ELECTRIC CO., LTD. All Rights Reserved.
 In case of consideration for using Automotive equipment / device which demand high reliability, kindly contact our sales window correspondents.

1> FIGURE-1 CONTACT No. MARKING (10:1)



MATING FIGURE



NOTE. 1> MARKINGS AT THE INDICATED POSITIONS ARE CONTACT NO. MARKING. AND SHAPES ARE SHOWN IN FIGURE-1.
 2. PER PACK : 100 PIECES.
 3. THE DIMENSIONS IN PARENTHESIS ARE FOR REFERENCE.

NO.	MATERIAL	FINISH . REMARKS	NO.	MATERIAL	FINISH . REMARKS
			1	PBT	UL94V-0 (WHITE)
UNITS		SCALE	DESCRIPTION OF REVISIONS		
mm		5 : 1	DESIGNED	CHECKED	DATE
HIROSE ELECTRIC CO., LTD.		APPROVED : KI. AKIYAMA	13.07.04	DRAWING NO. EDC3-351973-00	
		CHECED : OM. MIYAMOTO	13.07.03	PART NO. DF62C-5S-2.2C	
		DESIGNED : TH. YOSHIZAWA	13.07.03	CODE NO. CL544-0568-2-00	
		DRAWN : MI. SAKIMURA	13.06.27	1/1	