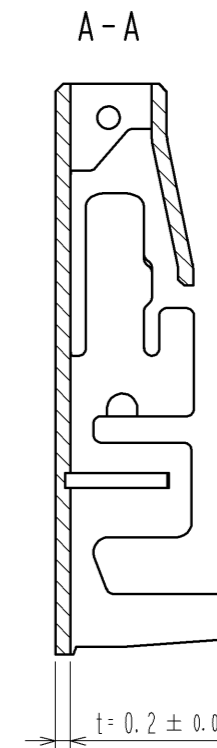
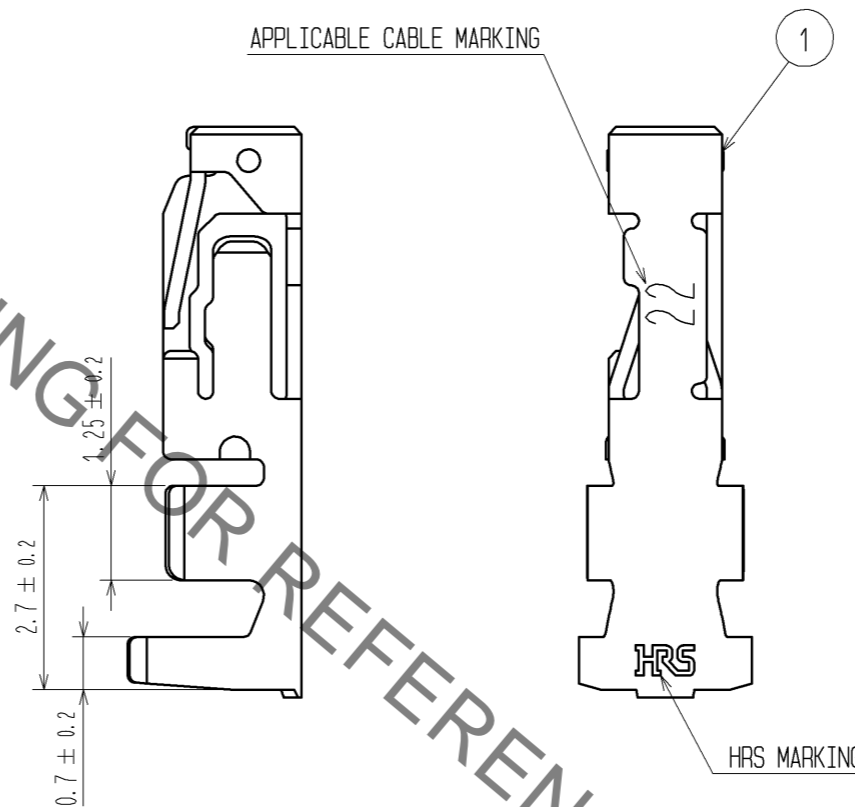
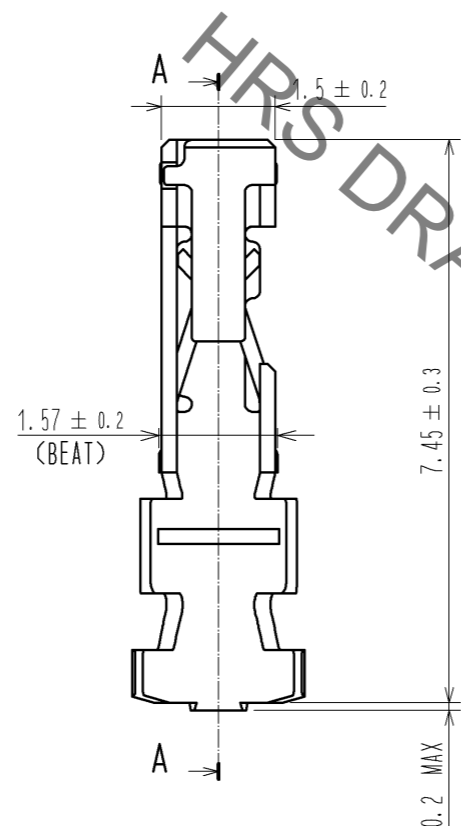
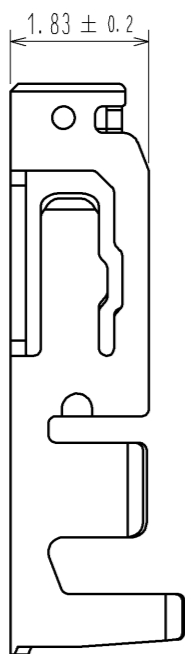


Nov.1.2022 Copyright 2022 HIROSE ELECTRIC CO., LTD. All Rights Reserved.
 In case of consideration for using Automotive equipment / device which demand high reliability, kindly contact our sales window correspondents.



NOTE 1. 1PACK:100 CONTACTS

NO.	MATERIAL	FINISH . REMARKS	NO.	MATERIAL	FINISH . REMARKS		
1	PHOSPHOR BRONZE	TIN PLATING 1μm MIN					
UNITS mm		SCALE 10:1	COUNT 	DESCRIPTION OF REVISIONS	DESIGNED	CHECKED	DATE
HRS	HIROSE ELECTRIC CO., LTD.	APPROVED : KI. AKIYAMA	14. 04. 26	DRAWING NO.	EDC3-352024-00		
		CHECED : KI. AKIYAMA	14. 04. 26	PART NO.	DF62-22SC		
		DESIGNED : TS. KUMAZAWA	14. 04. 25	CODE NO.	CL544-0572-0-00		
		DRAWN : TS. KUMAZAWA	14. 04. 25				