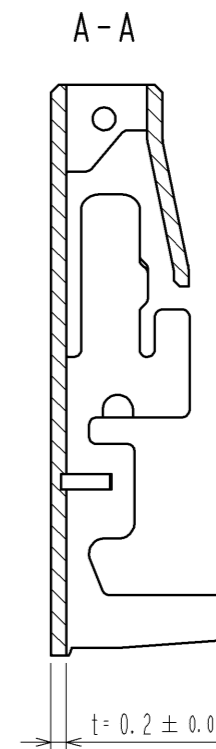
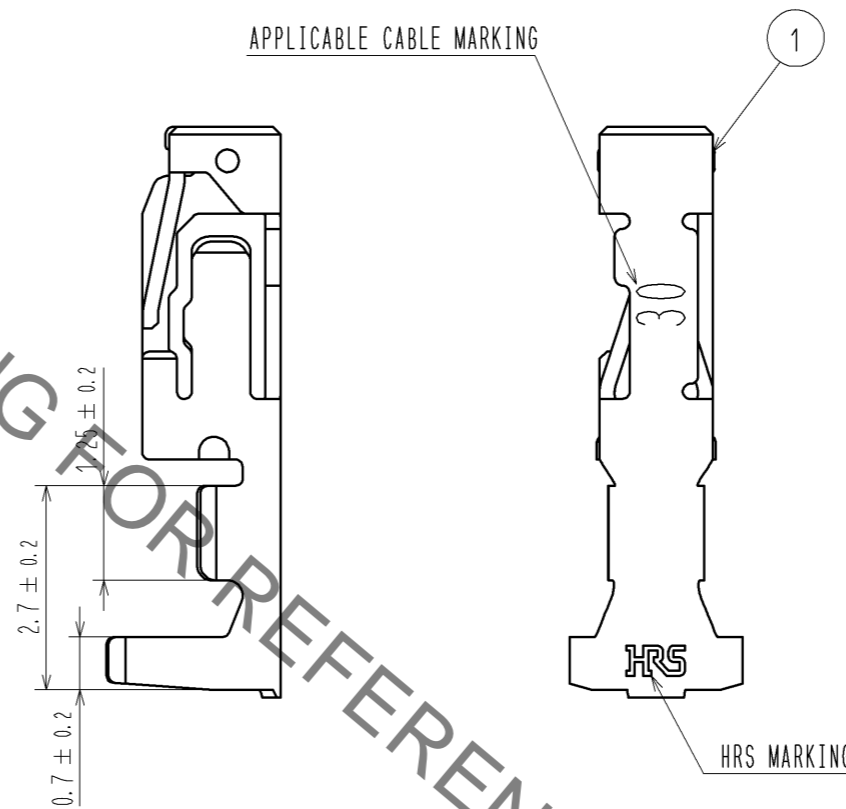
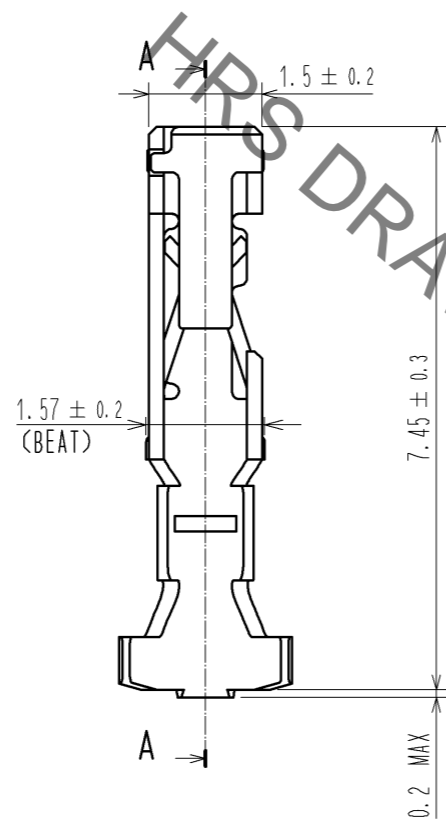
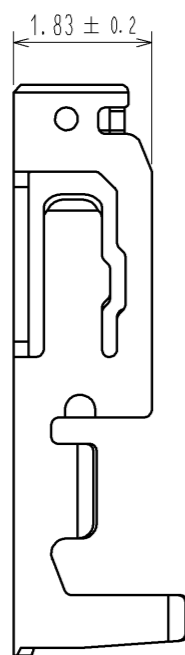


Nov.1.2022 Copyright 2022 HIROSE ELECTRIC CO., LTD. All Rights Reserved.
In case of consideration for using Automotive equipment / device which demand high reliability, kindly contact our sales window correspondents.



NOTE 1. 1PACK:100 CONTACTS

NO.	MATERIAL	FINISH . REMARKS	NO.	MATERIAL	FINISH . REMARKS			
1	PHOSPHOR BRONZE	TIN PLATING 1μm MIN						
UNITS	SCALE	COUNT	DESCRIPTION OF REVISIONS			DESIGNED	CHECKED	DATE
mm	10:1	△	APPROVED : KI. AKIYAMA	14.04.26	DRAWING NO.	EDC3-352026-00		
HRS HIROSE ELECTRIC CO., LTD.	CHECED : KI. AKIYAMA	14.04.26			PART NO.	DF62-30SC		
	DESIGNED : TS. KUMAZAWA	14.04.25			CODE NO.	CL544-0574-5-00		
	DRAWN : TS. KUMAZAWA	14.04.25				△ 1/1		