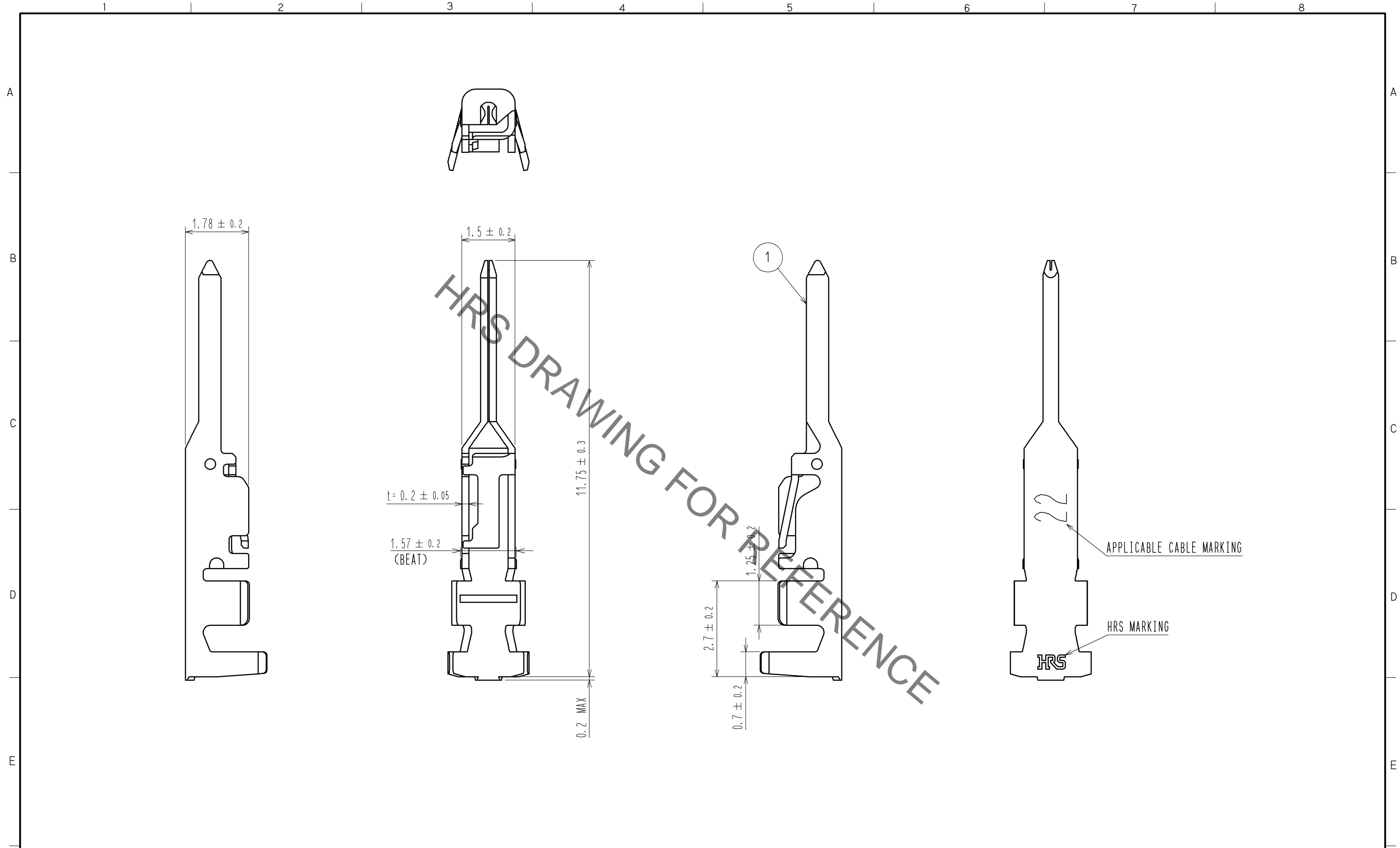


Nov.1.2022 Copyright 2022 HIROSE ELECTRIC CO., LTD. All Rights Reserved.
 In case of consideration for using Automotive equipment / device which demand high reliability, kindly contact our sales window correspondents.



NOTE 1. 1PACK:100 CONTACTS

NO.		MATERIAL		FINISH . REMARKS		1	PHOSPHOR BRONZE	TIN PLATING 1 μm MIN
UNITS mm		SCALE 10 : 1		COUNT		DESIGNED		CHECKED
				APPROVED : KI. AKIYAMA CHECED : KI. AKIYAMA DESIGNED : TS. KUMAZAWA DRAWN : TS. KUMAZAWA		14. 04. 26 14. 04. 26 14. 04. 25 14. 04. 25		DRAWING NO. EDC3-352027-00
				DESCRIPTION OF REVISIONS		DATE		
						PART NO.		DF62-EP22PC
						CODE NO.		CL544-0575-8-00
								1/1