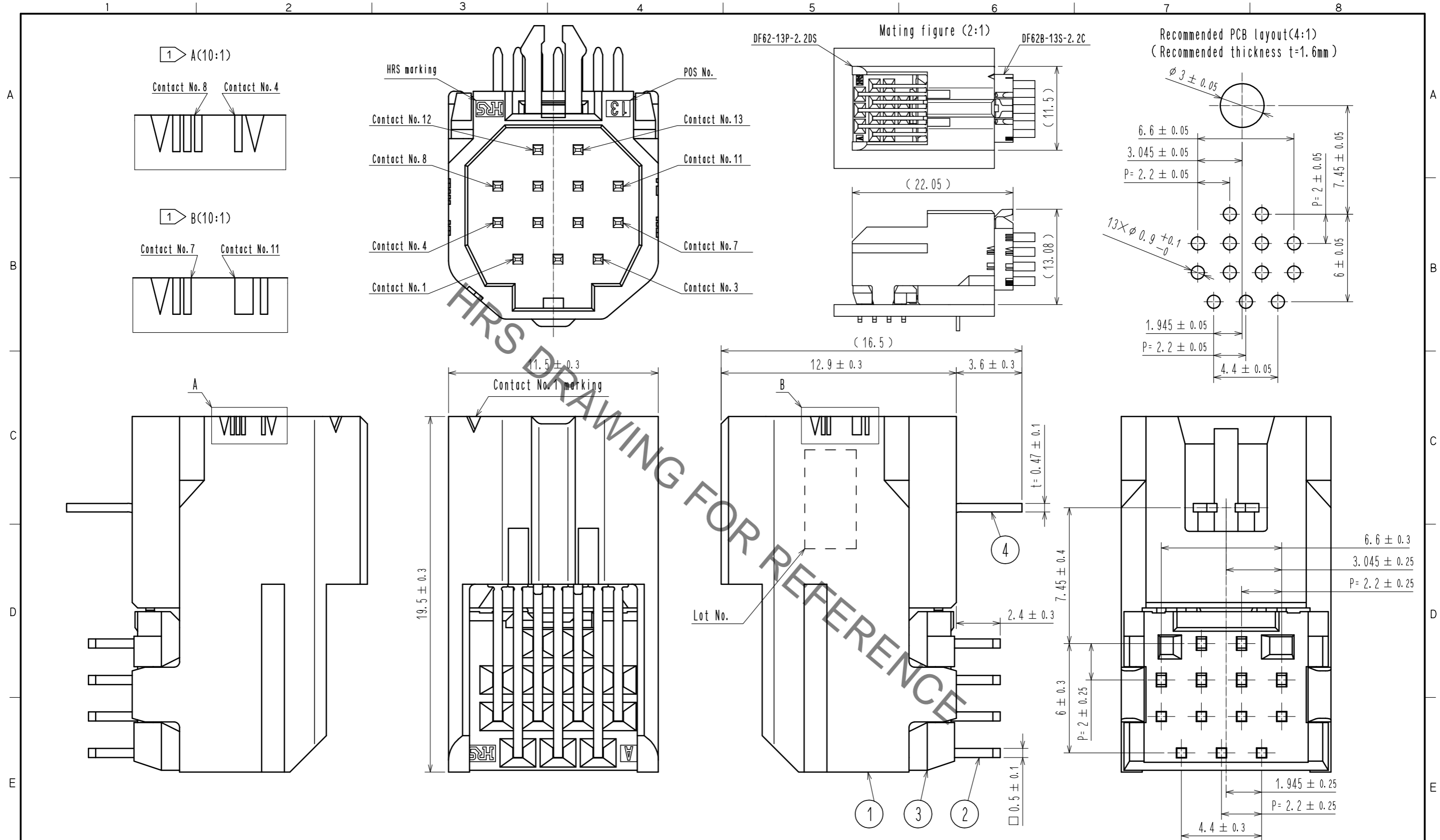


Nov.1.2022 Copyright 2022 HIROSE ELECTRIC CO., LTD. All Rights Reserved.
In case of consideration for using Automotive equipment / device which demand high reliability, kindly contact our sales window correspondents.



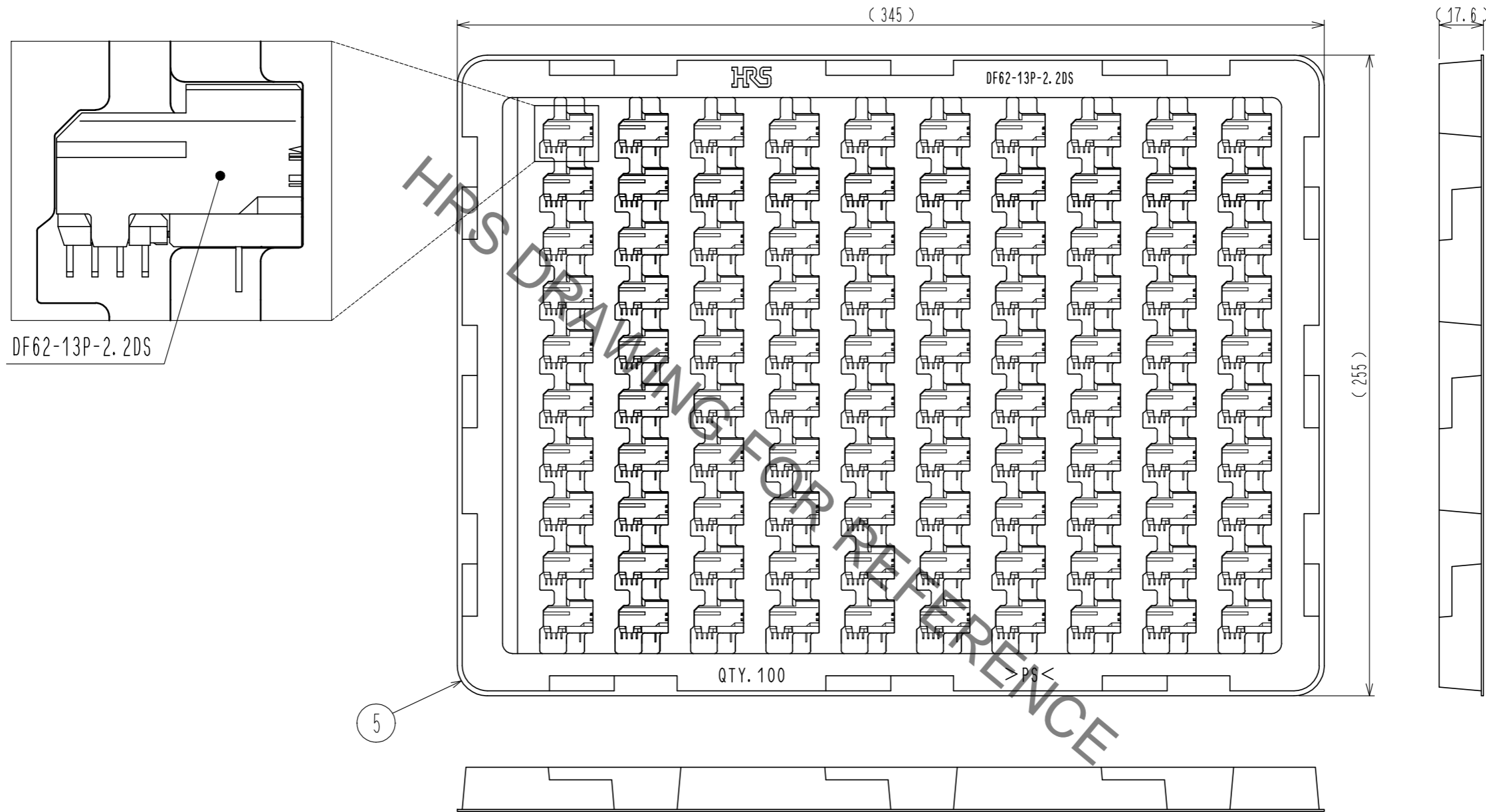
Note 1 Markings at the indicated positions are Contact No. marking. And shapes are as shown.
 2. The dimensions in parenthesis are for reference.
 3. Per tray : 100 pieces. The minimum order quantity is by the one tray amount " 100 pieces".
 4. UL (File No. E52653)
 C-UL (File No. E52653)



2	Copper alloy	Surface : Tin Plating $1\mu\text{m}$ min. Under Plating : Nickel Plating $0.5\mu\text{m}$ min.	5	PS	Tray. White		
1	PBT	UL94V-0(Black)	4	Brass	Tin Plating $1\mu\text{m}$ min.		
			3	PBT	UL94V-0(Black)		
NO.	MATERIAL	FINISH . REMARKS	NO.	MATERIAL	FINISH . REMARKS		
UNITS mm		SCALE 5 : 1	COUNT 1	DESCRIPTION OF REVISIONS DIS-H-00005567	DESIGNED HT. SATO	CHECKED SZ. ONO	DATE 20191212
HRS HIROSE ELECTRIC CO., LTD.		APPROVED : KI. AKIYAMA 20160326	DRAWING NO. EDC-362873-00-00				
		CHECKED : TS. FUKUSHIMA 20160326	PART NO. DF62-13P-2.2DS				
		DESIGNED : TS. MIYAKI 20160325	CODE NO. CL544-0581-0-00				
		DRAWN : TS. MIYAKI 20160325					

Nov.1.2022 Copyright 2022 HIROSE ELECTRIC CO., LTD. All Rights Reserved.
In case of consideration for using Automotive equipment / device which demand high reliability, kindly contact our sales window correspondents.

Drawing for packing (Free)



HRS	DRAWING NO.	EDC-362873-00-00
	PART NO.	DF62-13P-2.2DS
	CODE NO.	CL544-0581-0-00

① 2/2