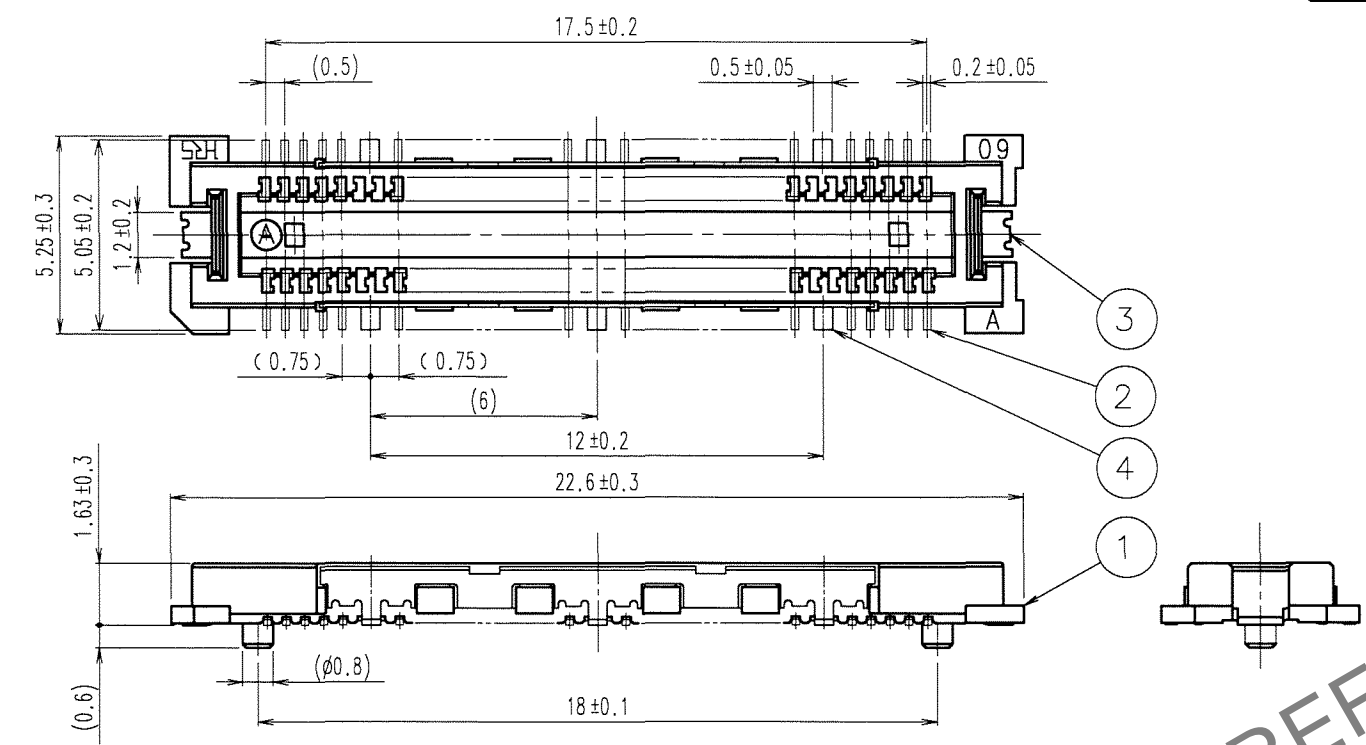
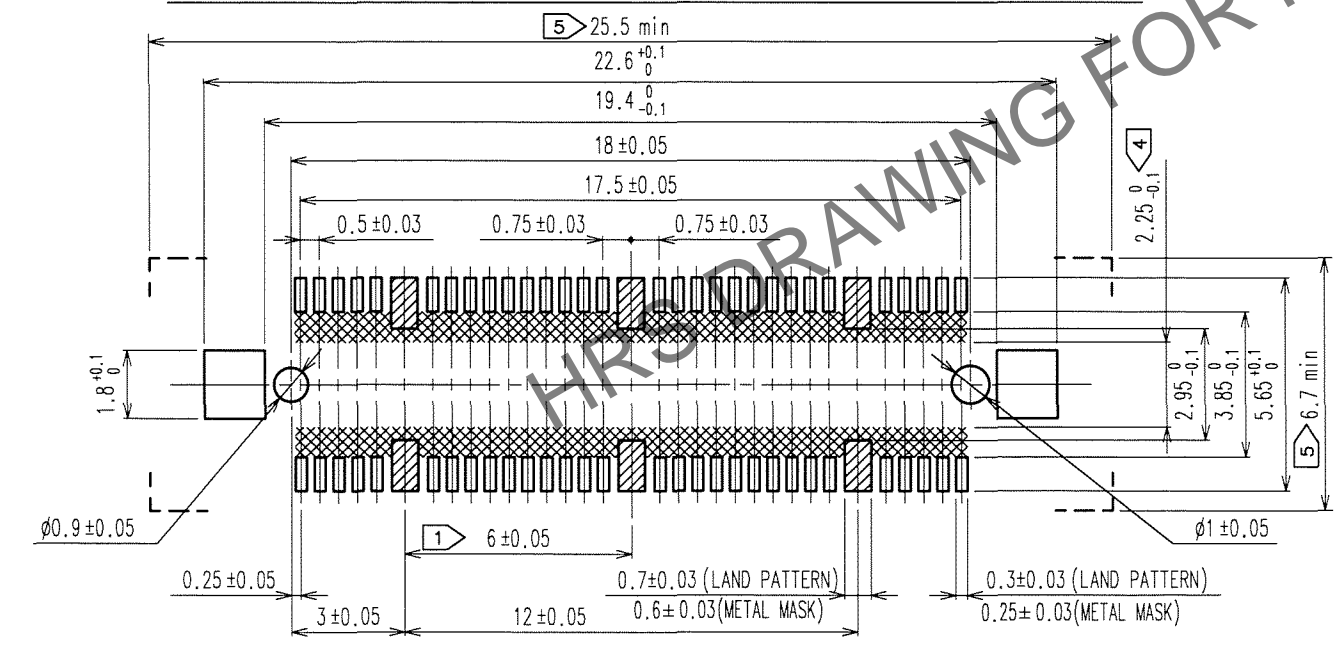


Aug.1.2024 Copyright 2024 HIROSE ELECTRIC CO., LTD. All Rights Reserved.
In case of consideration for using Automotive equipment / device which demand high reliability, kindly contact our sales window correspondents.

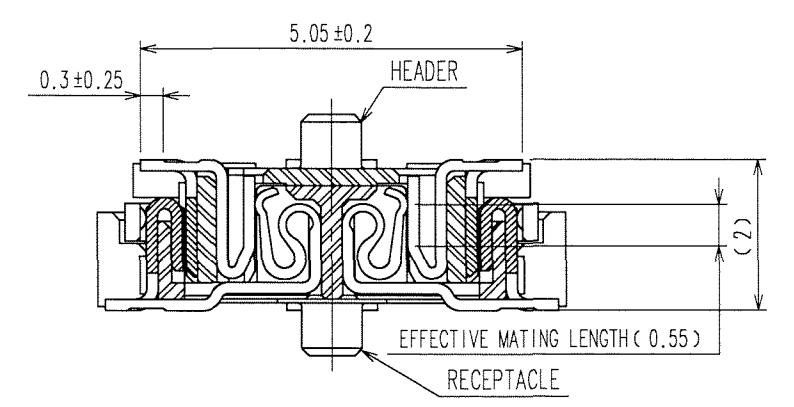
COUNT	DESCRIPTION OF REVISIONS	BY	CHKD	DATE	COUNT	DESCRIPTION OF REVISIONS	BY	CHKD	DATE
△				..	△				..
△				..	△				..
△				..	△				..



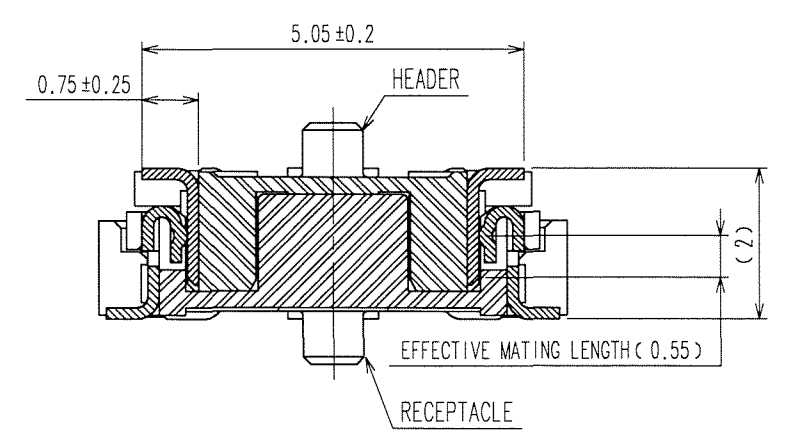
RECOMMENDED LAND PATTERN DIMENSION OF PCB



SIGNAL PORTION CROSS SECTION (10:1)



GROUND PORTION CROSS SECTION (10:1)



- NOTES
- 6 HATCHED PARTS:GROUND CIRCUIT.
 - SMT LEAD-COPLANARITY:0.1 MAX.
 - THIS PRODUCT HAS NO POLARITY TO PATTERN FOR MOUNTING.
 - MAKE SURE WIDTH OF PATTERN IS WITHIN THAT OF LAND ,OR LEAD MAY TOUCH PATTERN.(THIS APPLIES TO HATCHED AREA.)
 - DO NOT MOUNT OTHER DEVICES ONTO AREA ,OR MATING PAIR CANNOT BE MATED.
 - THE DIMENSIONS IN PARENTHESES ARE FOR REFERENCE.

TO
PCK

4	PHOSPHOR BRONZE	TIN-PLATING	2	COPPER ALLOY	CONTACT AREA:GOLD 0.1 μm min.
3	PHOSPHOR BRONZE	TIN-PLATING			LEAD AREA:GOLD FLASH
1	LCP	BEIGE UL94V-0			UNDER PLATING:NICKEL 1μm min.
NO.	MATERIAL	FINISH, REMARKS	NO.	MATERIAL	FINISH, REMARKS

CODE NO. (OLD) CL	DRAWN A.SUZUKAWA	DESIGNED <i>N. Nakamura</i>	CHECKED <i>X. Ogasawa</i>	APPROVED <i>H. Okawa</i>	RELEASED
	06.09.25	06.09.25	06.09.26	06.09.26	
SCALE 5 : 1	DRAWING NO. EDC3-152092-25	PART NO. FX11LA-60P/6-SV(71)	CODE NO. CL573-0002-7-71		
UNITS mm	HRS HIROSE ELECTRIC CO.,LTD.		1/1		