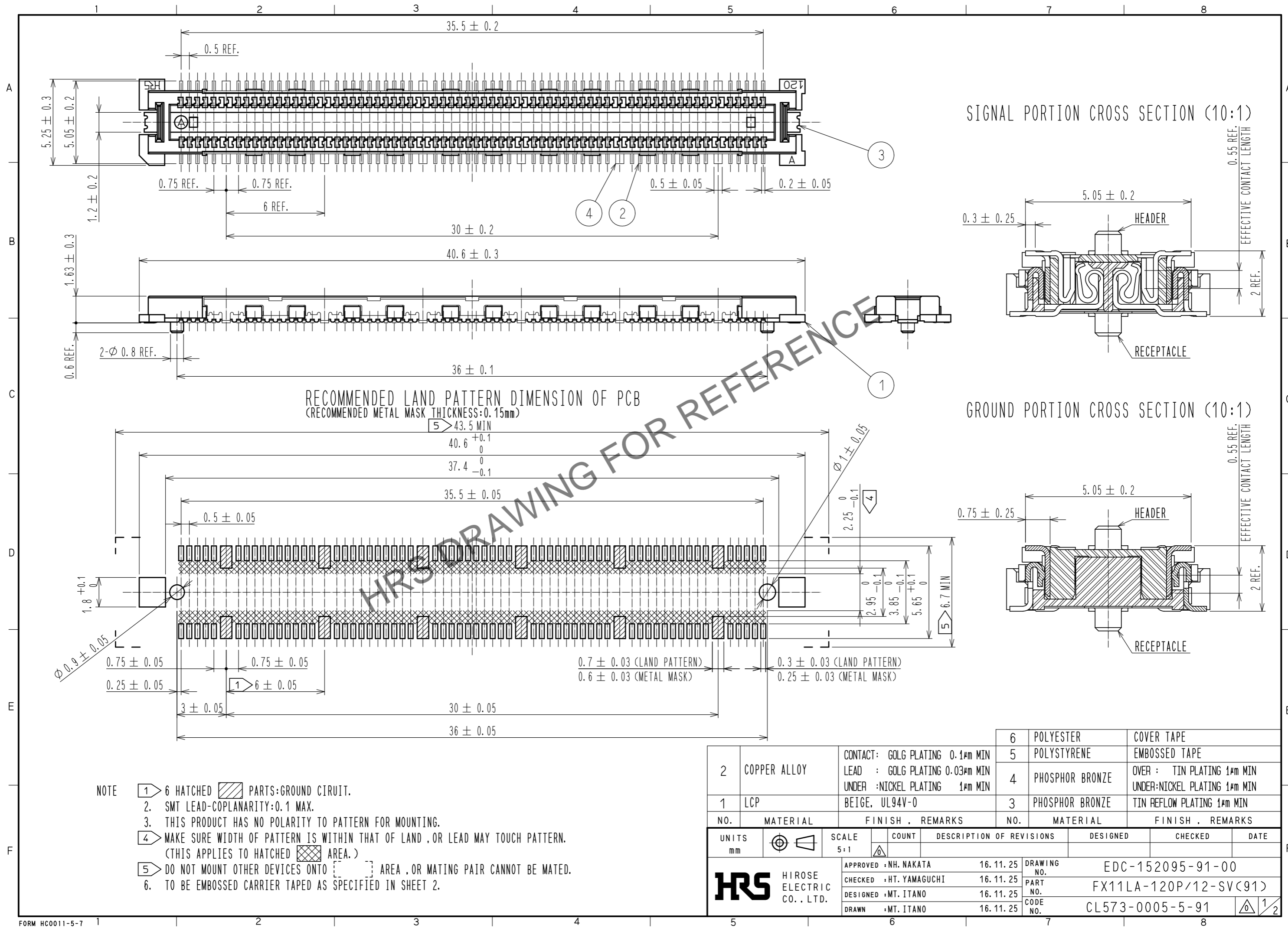


Aug.1.2024 Copyright 2024 HIROSE ELECTRIC CO., LTD. All Rights Reserved.
In case of consideration for using Automotive equipment / device which demand high reliability, kindly contact our sales window correspondents.



RECOMMENDED LAND PATTERN DIMENSION OF PCB
(RECOMMENDED METAL MASK THICKNESS:0.15mm)

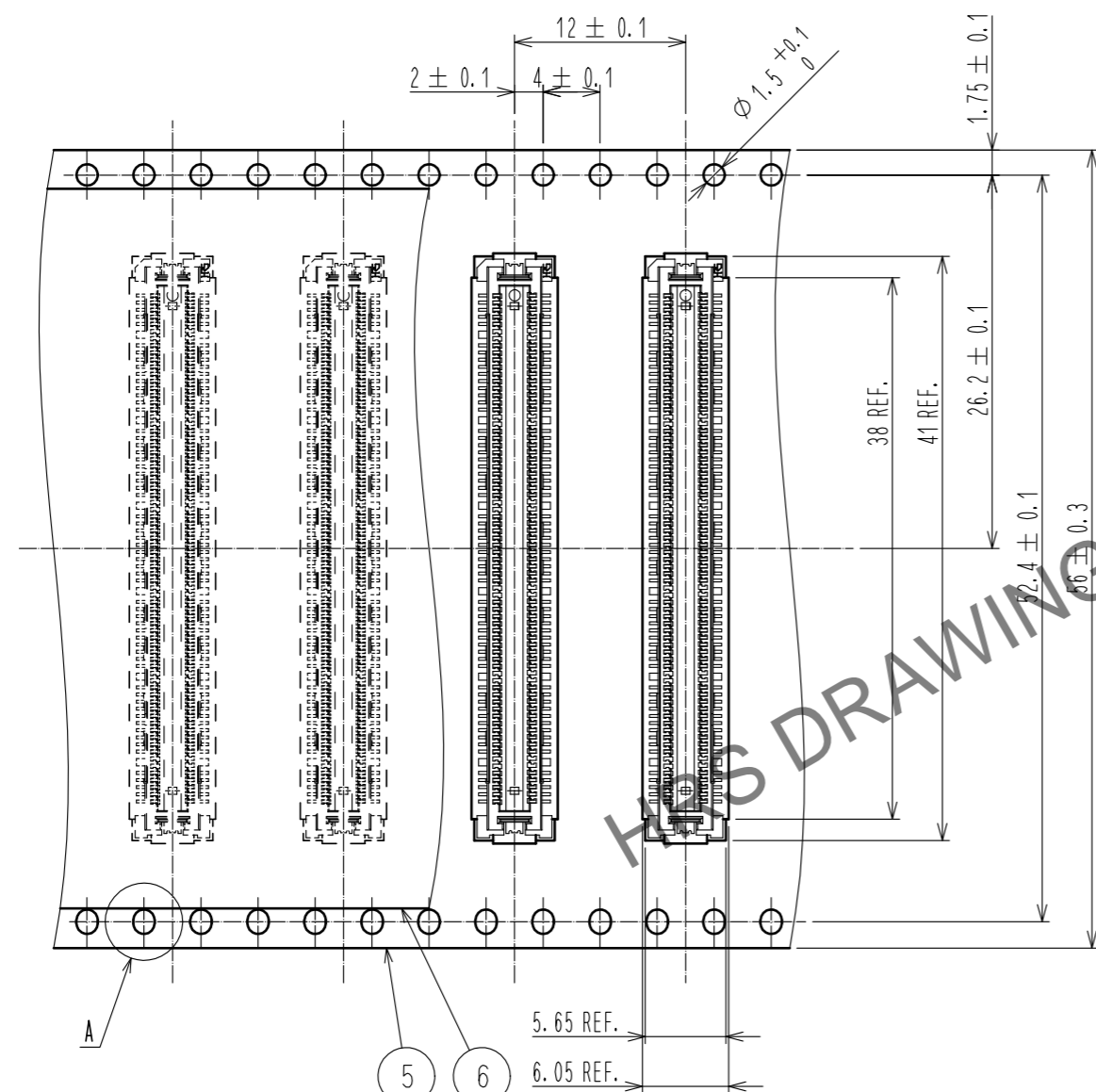
- NOTE
- 1 > 6 HATCHED PARTS:GROUND CIRCUIT.
 2. SMT LEAD-COPLANARITY:0.1 MAX.
 3. THIS PRODUCT HAS NO POLARITY TO PATTERN FOR MOUNTING.
 - 4 > MAKE SURE WIDTH OF PATTERN IS WITHIN THAT OF LAND .OR LEAD MAY TOUCH PATTERN.
(THIS APPLIES TO HATCHED AREA.)
 - 5 > DO NOT MOUNT OTHER DEVICES ONTO AREA ,OR MATING PAIR CANNOT BE MATED.
 6. TO BE EMBOSSED CARRIER TAPED AS SPECIFIED IN SHEET 2.

2	COPPER ALLOY	CONTACT: GOLG PLATING 0.1μm MIN LEAD : GOLG PLATING 0.03μm MIN UNDER :NICKEL PLATING 1μm MIN	6	POLYESTER	COVER TAPE
1	LCP	BEIGE, UL94V-0	5	POLYSTYRENE	EMBOSSED TAPE
			4	PHOSPHOR BRONZE	OVER : TIN PLATING 1μm MIN UNDER:NICKEL PLATING 1μm MIN
			3	PHOSPHOR BRONZE	TIN REFLOW PLATING 1μm MIN
NO.	MATERIAL	FINISH . REMARKS	NO.	MATERIAL	FINISH . REMARKS
UNITS		SCALE	COUNT	DESCRIPTION OF REVISIONS	
mm		5:1		DESIGNED	CHECKED
HRS HIROSE ELECTRIC CO., LTD.		APPROVED :NH. NAKATA	16.11.25	DRAWING NO. EDC-152095-91-00	
		CHECKED :HT. YAMAGUCHI	16.11.25	PART NO. FX11LA-120P/12-SV(91)	
		DESIGNED :MT. ITANO	16.11.25	CODE NO. CL573-0005-5-91	
		DRAWN :MT. ITANO	16.11.25	1/2	

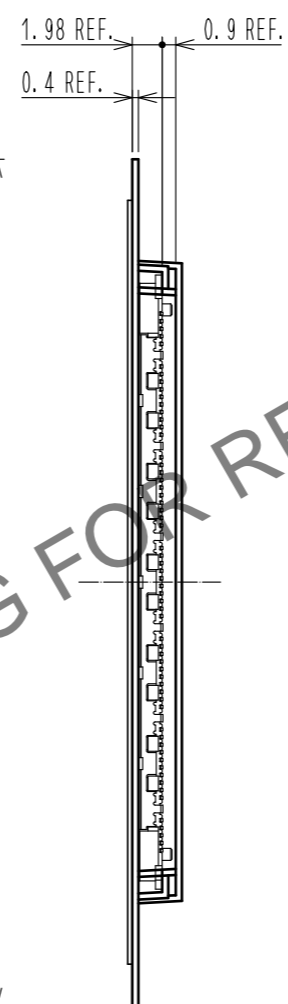
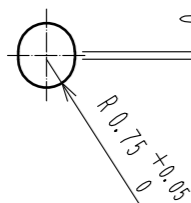
Aug.1.2024 Copyright 2024 HIROSE ELECTRIC CO., LTD. All Rights Reserved.
 In case of consideration for using Automotive equipment / device which demand high reliability, kindly contact our sales window correspondents.

DRAWING FOR PACKING(2:1)

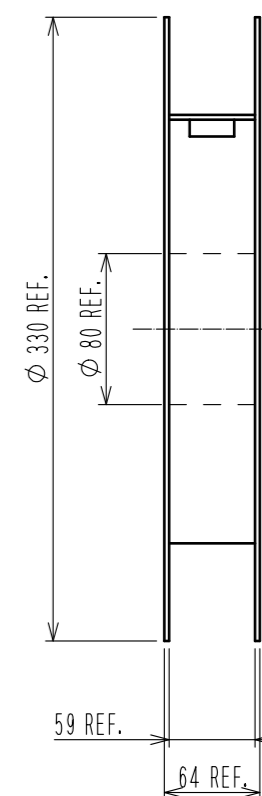
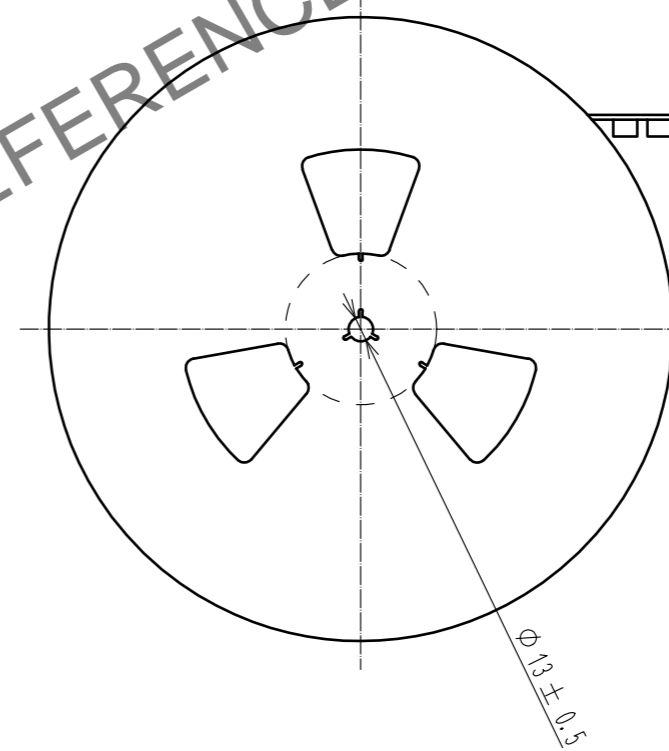
THE DIRECTION OF PULLING OUT



A(5:1)



REELED DIMENSION(FREE)



- NOTE
- 7. 1 REEL:1000 CONNECTORS.
 - 8. MINIMUM 10 COMPARTMENTS FROM BOTH REEL ENDS REMAIN EMPTY.
 - 9. THIS PRODUCT HAS NO POLARITY TO TAPE AND REEL PACKAGING.

HRS	DRAWING NO.	EDC-152095-91-00	
	PART NO.	FX11LA-120P/12-SV(91)	
	CODE NO.	CL573-0005-5-91	2/2