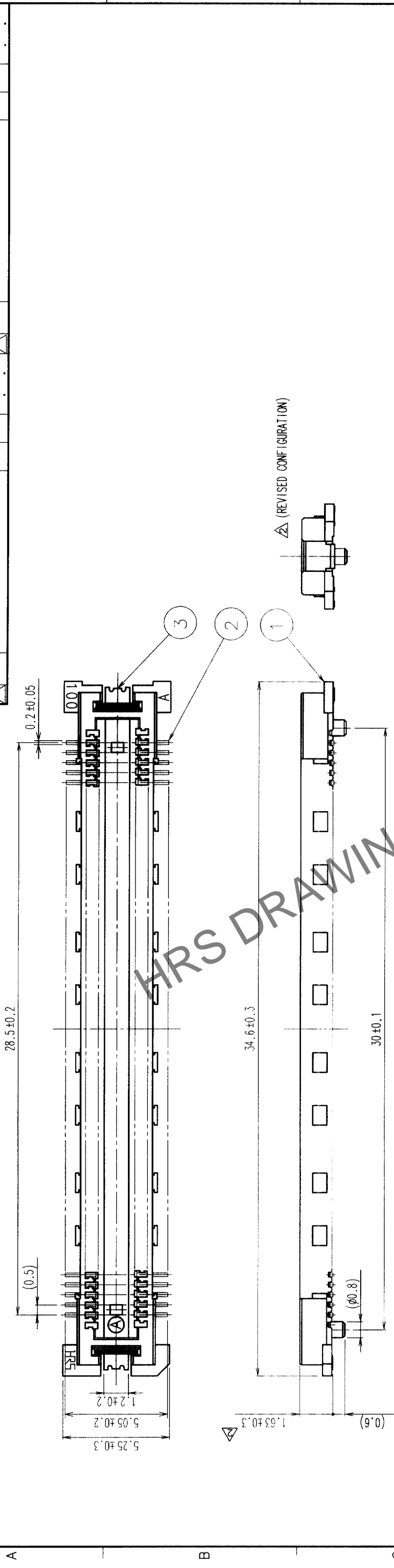
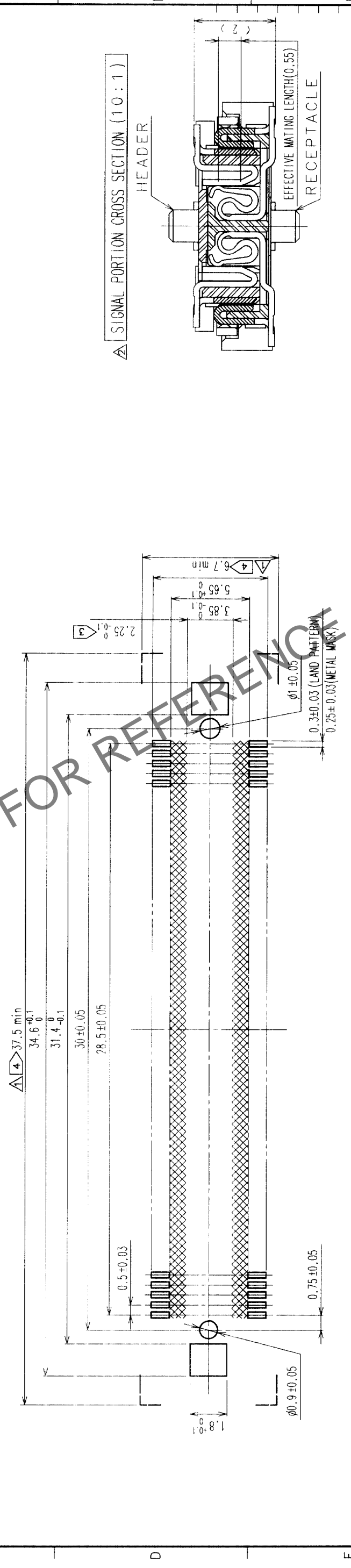


Aug.1.2024 Copyright 2024 HIROSE ELECTRIC CO., LTD. All Rights Reserved.
 In case of consideration for using Automotive equipment / device which demand high reliability, kindly contact our sales window correspondents.

COUNT	DESCRIPTION OF REVISIONS	BY	CHKD	DATE	COUNT	DESCRIPTION OF REVISIONS	BY	CHKD	DATE
3	RE-F-06374	J.M.	M.M.	19905.15					
3	RE-F-06522	J.M.	M.M.	99.9.7					



RECOMMENDED LAND PATTERN DIMENSION OF PCB



- NOTES
- SMT LEAD-COPLANARITY: 0.1 MAX.
 - THIS PRODUCT HAS NO POLARITY TO PATTERN FOR MOUNTING. MAKE SURE WIDTH OF PATTERN IS WITHIN THAT OF LAND, OR LEAD MAY TOUCH PATTERN. (THIS APPLIES TO HATCHED AREA.)
 - DO NOT MOUNT OTHER DEVICES ONTO [] AREA, OR MATING PAIR CANNOT BE MATED.

NO.	MATERIAL	FINISH, REMARKS	PHOSPHOR BRONZE	TIN PLATED
2	COPPER ALLOY	CONTACT AREA: GOLD (0.1µm) OVER NICKEL LEAD: GOLD FLASH OVER NICKEL		
1	LCP	BEIGE UL94V-0	3	

CODE NO. (OLD)	DRAWN	DESIGNED	CHECKED	APPROVED	RELEASED
CL	J. Matsukawa	J. Matsukawa	Y. Yoshimuro	Y. Yoshimuro	
	990212	990212	990212	990212	990212

DRAWING NO.	PART NO.
EDC3-152102	FX11LA-116P-SV

SCALE	UNITS	CODE NO.
5 : 1	mm	CL573-0044-7

TO
PCK