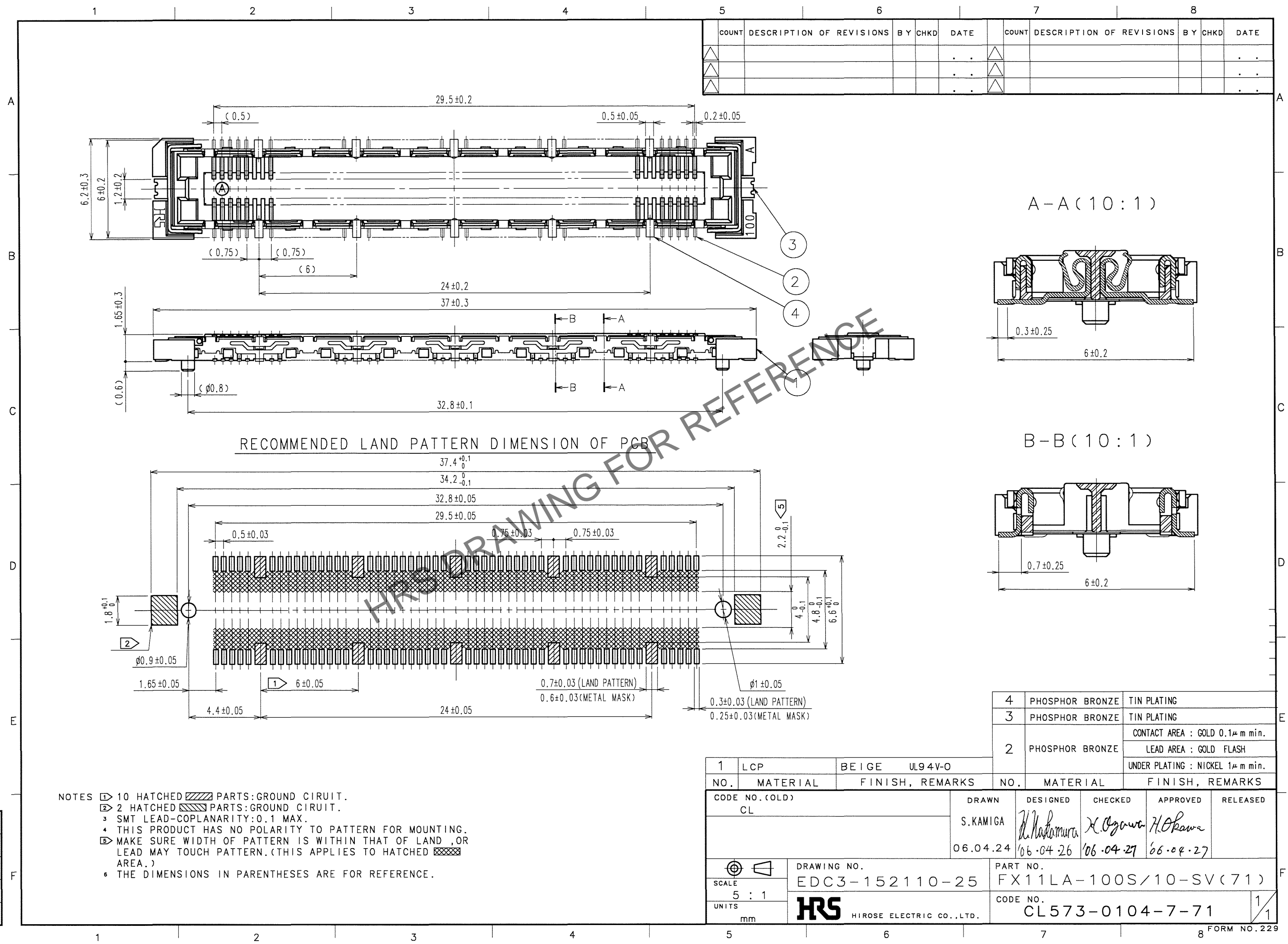
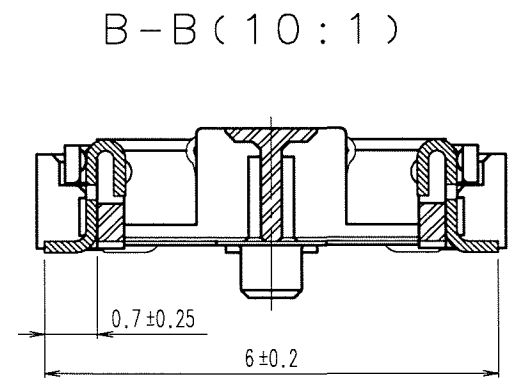
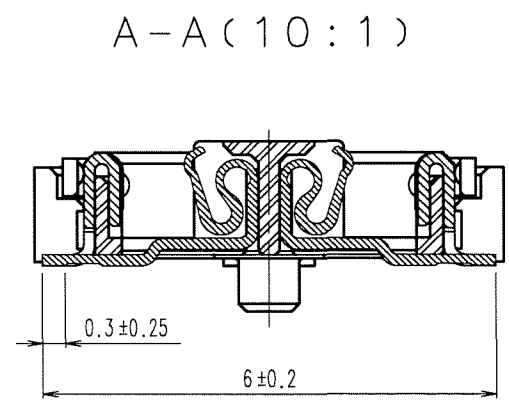
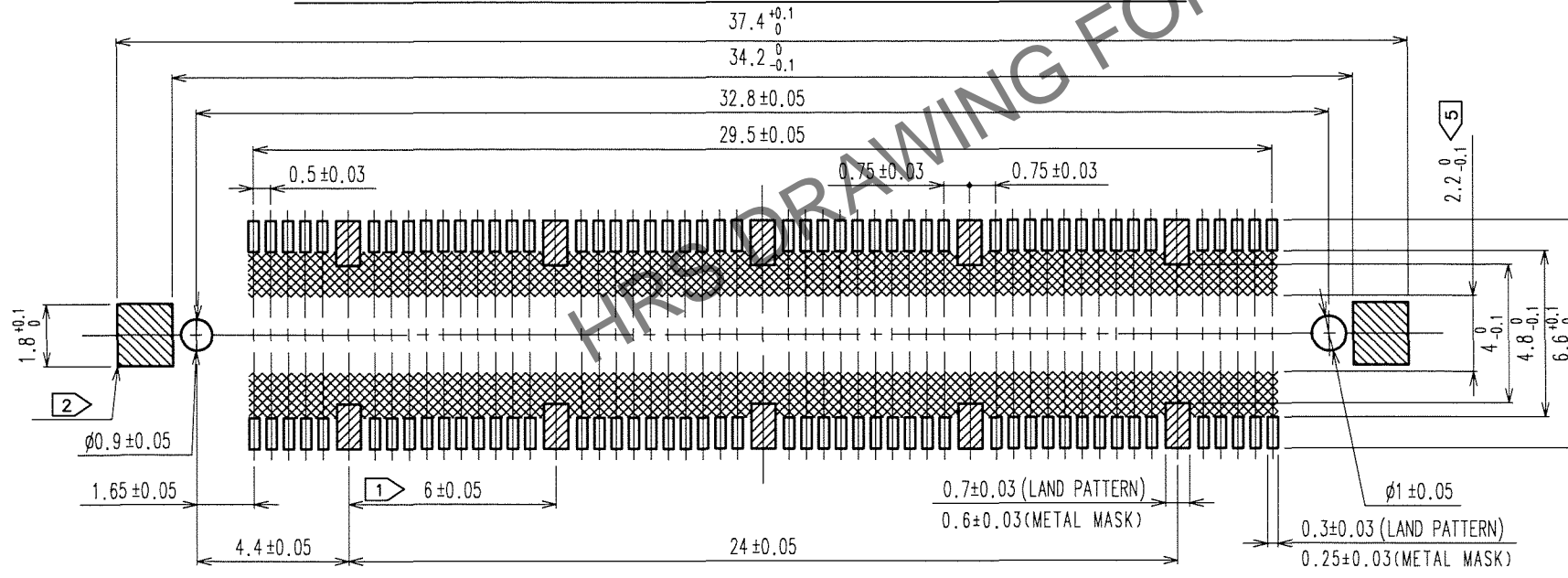


Aug.1.2024 Copyright 2024 HIROSE ELECTRIC CO., LTD. All Rights Reserved.
In case of consideration for using Automotive equipment / device which demand high reliability, kindly contact our sales window correspondents.



COUNT	DESCRIPTION OF REVISIONS	BY	CHKD	DATE	COUNT	DESCRIPTION OF REVISIONS	BY	CHKD	DATE

RECOMMENDED LAND PATTERN DIMENSION OF PCB



- NOTES
- ① 10 HATCHED PARTS:GROUND CIRCUIT.
 - ② 2 HATCHED PARTS:GROUND CIRCUIT.
 - ③ SMT LEAD-COPLANARITY:0.1 MAX.
 - ④ THIS PRODUCT HAS NO POLARITY TO PATTERN FOR MOUNTING.
 - ⑤ MAKE SURE WIDTH OF PATTERN IS WITHIN THAT OF LAND ,OR LEAD MAY TOUCH PATTERN.(THIS APPLIES TO HATCHED AREA.)
 - ⑥ THE DIMENSIONS IN PARENTHESES ARE FOR REFERENCE.

4	PHOSPHOR BRONZE	TIN PLATING
3	PHOSPHOR BRONZE	TIN PLATING
2	PHOSPHOR BRONZE	CONTACT AREA : GOLD 0.1μ m min.
		LEAD AREA : GOLD FLASH
		UNDER PLATING : NICKEL 1μ m min.

NO.	MATERIAL	FINISH, REMARKS	NO.	MATERIAL	FINISH, REMARKS
1	LCP	BEIGE UL94V-0			

CODE NO.(OLD)	DRAWN	DESIGNED	CHECKED	APPROVED	RELEASED
CL	S.KAMIGA	<i>K. Nakamura</i>	<i>H. Ogawa</i>	<i>H. Okawa</i>	
	06.04.24	'06.04.26	'06.04.27	'06.04.27	

SCALE	DRAWING NO.	PART NO.
5 : 1	EDC3-152110-25	FX11LA-100S/10-SV(71)
UNITS mm	HRS HIROSE ELECTRIC CO.,LTD.	CODE NO. CL573-0104-7-71

TO
PCK