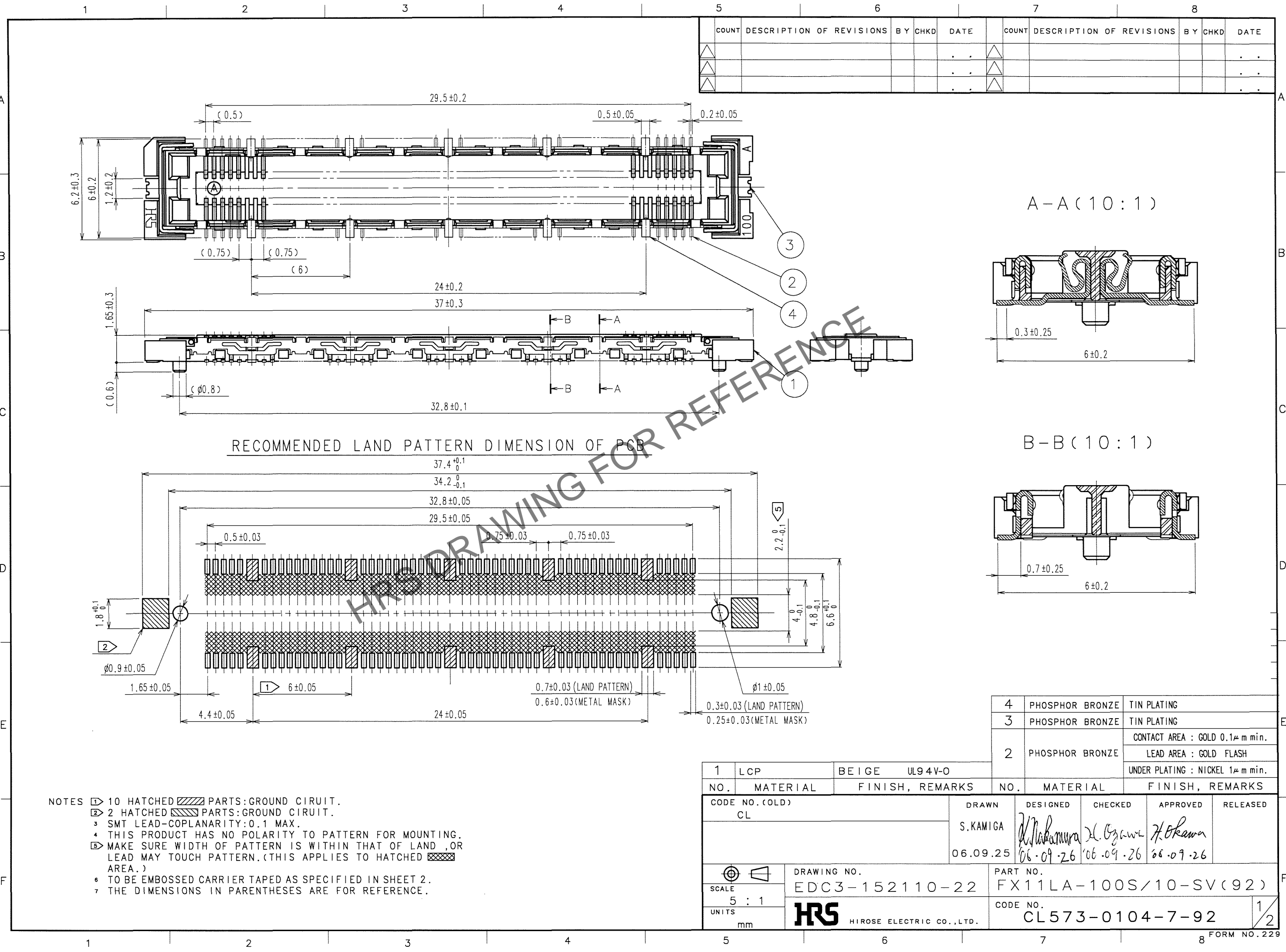
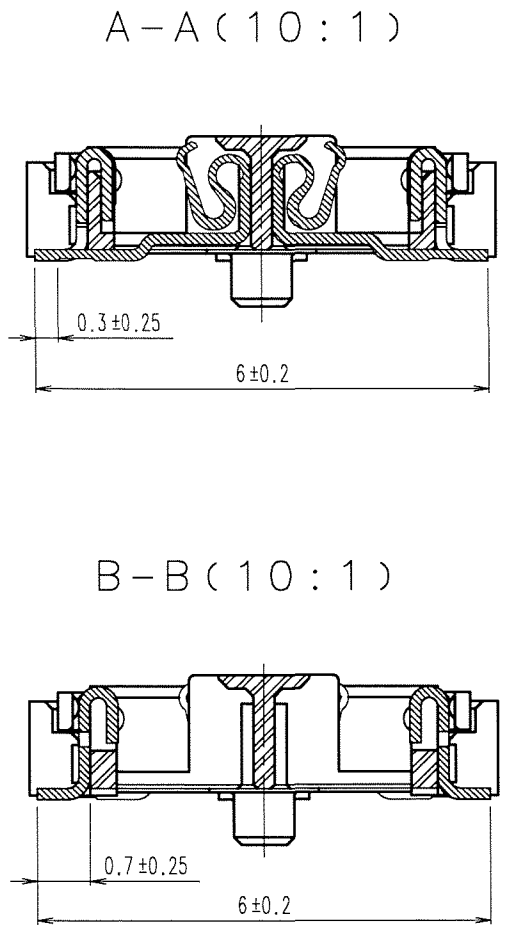
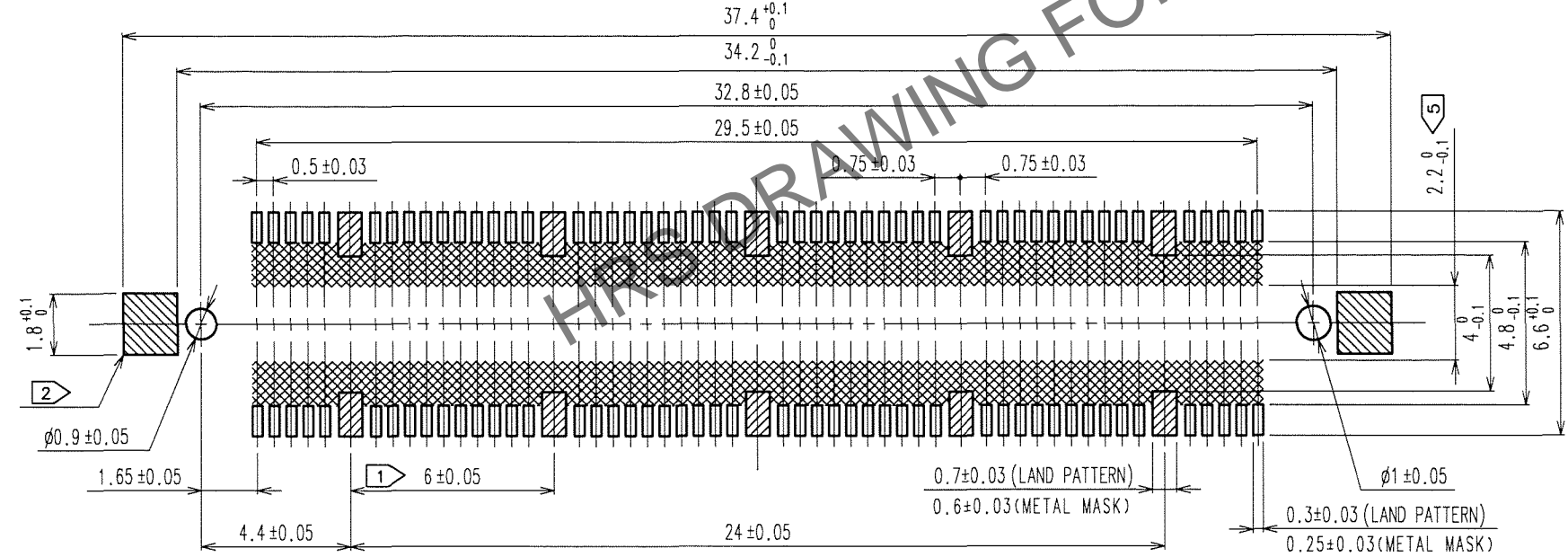


Aug.1.2024 Copyright 2024 HIROSE ELECTRIC CO., LTD. All Rights Reserved.
In case of consideration for using Automotive equipment / device which demand high reliability, kindly contact our sales window correspondents.



COUNT	DESCRIPTION OF REVISIONS	BY	CHKD	DATE	COUNT	DESCRIPTION OF REVISIONS	BY	CHKD	DATE
△					△				
△					△				
△					△				

RECOMMENDED LAND PATTERN DIMENSION OF PCB



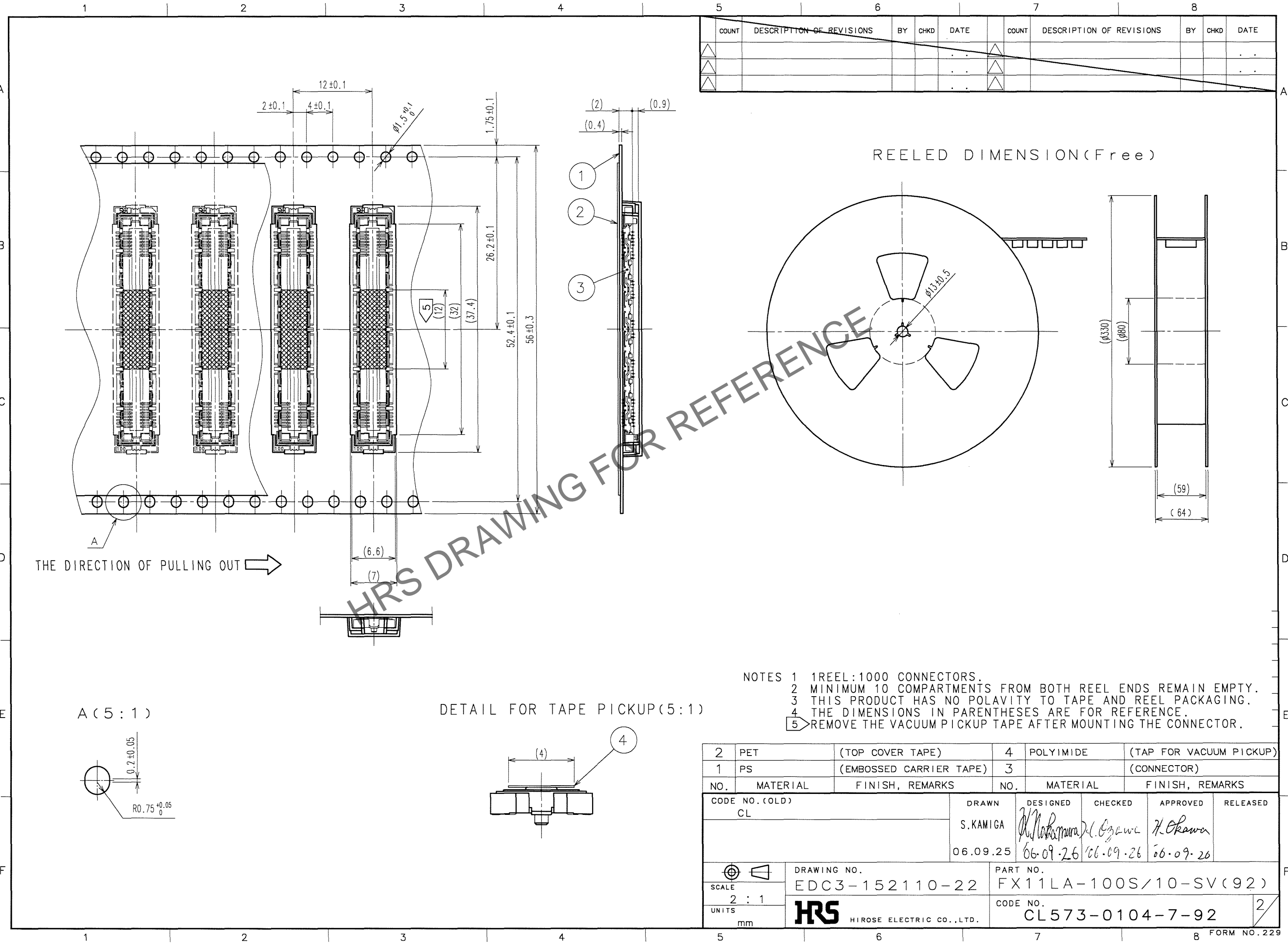
- NOTES
- 1 10 HATCHED PARTS:GROUND CIRCUIT.
 - 2 2 HATCHED PARTS:GROUND CIRCUIT.
 - 3 SMT LEAD-COPLANARITY:0.1 MAX.
 - 4 THIS PRODUCT HAS NO POLARITY TO PATTERN FOR MOUNTING.
 - 5 MAKE SURE WIDTH OF PATTERN IS WITHIN THAT OF LAND ,OR LEAD MAY TOUCH PATTERN.(THIS APPLIES TO HATCHED AREA.)
 - 6 TO BE EMBOSSED CARRIER TAPED AS SPECIFIED IN SHEET 2.
 - 7 THE DIMENSIONS IN PARENTHESES ARE FOR REFERENCE.

4	PHOSPHOR BRONZE	TIN PLATING
3	PHOSPHOR BRONZE	TIN PLATING
2	PHOSPHOR BRONZE	CONTACT AREA : GOLD 0.1μm min.
		LEAD AREA : GOLD FLASH
		UNDER PLATING : NICKEL 1μm min.

1	LCP	BEIGE	UL94V-0					
NO.	MATERIAL	FINISH, REMARKS		NO.	MATERIAL	FINISH, REMARKS		
CODE NO. (OLD)	CL	DRAWN	DESIGNED	CHECKED	APPROVED	RELEASED		
		S.KAMIGA	<i>N. Nakamura</i>	<i>K. Ozawa</i>	<i>H. Okawa</i>			
		06.09.25	06.09.26	06.09.26	06.09.26			
	DRAWING NO.	PART NO.						
SCALE	EDC3-152110-22	FX11LA-100S/10-SV(92)						
UNITS	5 : 1	CODE NO.						
mm	HRS HIROSE ELECTRIC CO.,LTD.	CL573-0104-7-92						

TO
PCK

Aug.1.2024 Copyright 2024 HIROSE ELECTRIC CO., LTD. All Rights Reserved.
In case of consideration for using Automotive equipment / device which demand high reliability, kindly contact our sales window correspondents.



COUNT	DESCRIPTION OF REVISIONS	BY	CHKD	DATE	COUNT	DESCRIPTION OF REVISIONS	BY	CHKD	DATE

REELED DIMENSION (Free)

HRS DRAWING FOR REFERENCE

- NOTES
- 1 REEL:1000 CONNECTORS.
 - 2 MINIMUM 10 COMPARTMENTS FROM BOTH REEL ENDS REMAIN EMPTY.
 - 3 THIS PRODUCT HAS NO POLARITY TO TAPE AND REEL PACKAGING.
 - 4 THE DIMENSIONS IN PARENTHESES ARE FOR REFERENCE.
 - 5 REMOVE THE VACUUM PICKUP TAPE AFTER MOUNTING THE CONNECTOR.

NO.	MATERIAL	FINISH, REMARKS	NO.	MATERIAL	FINISH, REMARKS
2	PET	(TOP COVER TAPE)	4	POLYIMIDE	(TAP FOR VACUUM PICKUP)
1	PS	(EMBOSSED CARRIER TAPE)	3		(CONNECTOR)

CODE NO. (OLD) CL	DRAWN S.KAMIGA 06.09.25	DESIGNED <i>N. Nakamura</i> 06.09.26	CHECKED <i>C. Ozawa</i> 06.09.26	APPROVED <i>H. Okawa</i> 06.09.26	RELEASED
DRAWING NO. EDC3-152110-22		PART NO. FX11LA-100S/10-SV(92)			
UNITS mm		CODE NO. CL573-0104-7-92			2

TO
PCK