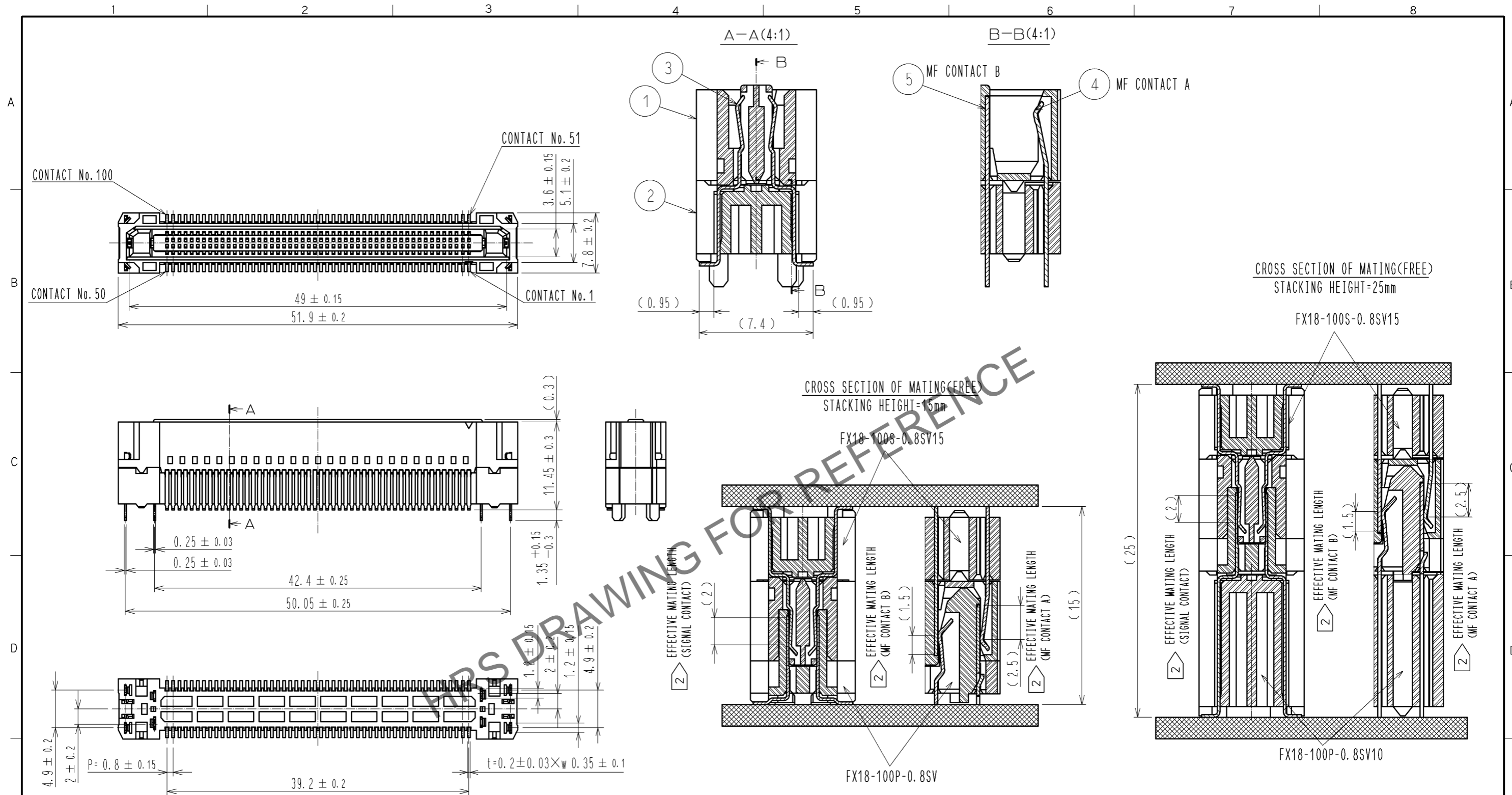


Mar.1.2026 Copyright 2026 HIROSE ELECTRIC CO., LTD. All Rights Reserved.  
In case of consideration for using Automotive equipment / device which demand high reliability, kindly contact our sales window correspondents.



- NOTE 1 LEAD CO-PLANARITY IS 0.1mm MAX.
- ② CONTACTS ARE 3 STEPS SEQUENTIAL. (MF CONTACT A=>SIGNAL CONTACT=>MF CONTACT B)  
WHEN USING THIS SEQUENTIAL STRUCTURE, PLEASE AVOID ANGLED INSERTION.
- ③ MF CONTACT A AND MF CONTACT B CAN BE USED AS POWER SUPPLY CONTACT. (3A/PIN MAX)
- ④ IT SHOWS THE VACUUM PICKUP AREA. (SEE PAGE 2)  
REMOVE THE MYLAR TAPE BEFORE MATING CONNECTORS.
- ⑤ THIS IS PACKAGED IN TRAY. (40pcs/TRAY)
- ⑥ BLEMISH AND HIT MARK CAN BE OCCURED THROUGH OUT THE MANUFACTURING PROCESS WHICH DOESN' T AFFECT QUALITY LEVEL.
- ⑦ THE DIMENSIONS IN PARENTHESES ARE FOR REFERENCES.

7	POLYIMIDE				
6	POLYSTYRENE				
5	COPPER ALLOY	CONTACT AREA:GOLD 0.1μm			
		LEAD AREA:TIN-PLATING 1μm			
		UNDER PLATING:NICKEL 1.3μm			
4	COPPER ALLOY	CONTACT AREA:GOLD 0.1μm			
		LEAD AREA:TIN-PLATING 1μm			
		UNDER PLATING:NICKEL 1.3μm			
3	PHOSPHOR BRONZE	CONTACT AREA:GOLD 0.1μm			
		LEAD AREA:GOLD 0.03μm			
		UNDER PLATING:NICKEL 1.3μm			
2	POLYAMIDE	BLACK UL94V-0			
1	POLYAMIDE	BLACK UL94V-0			

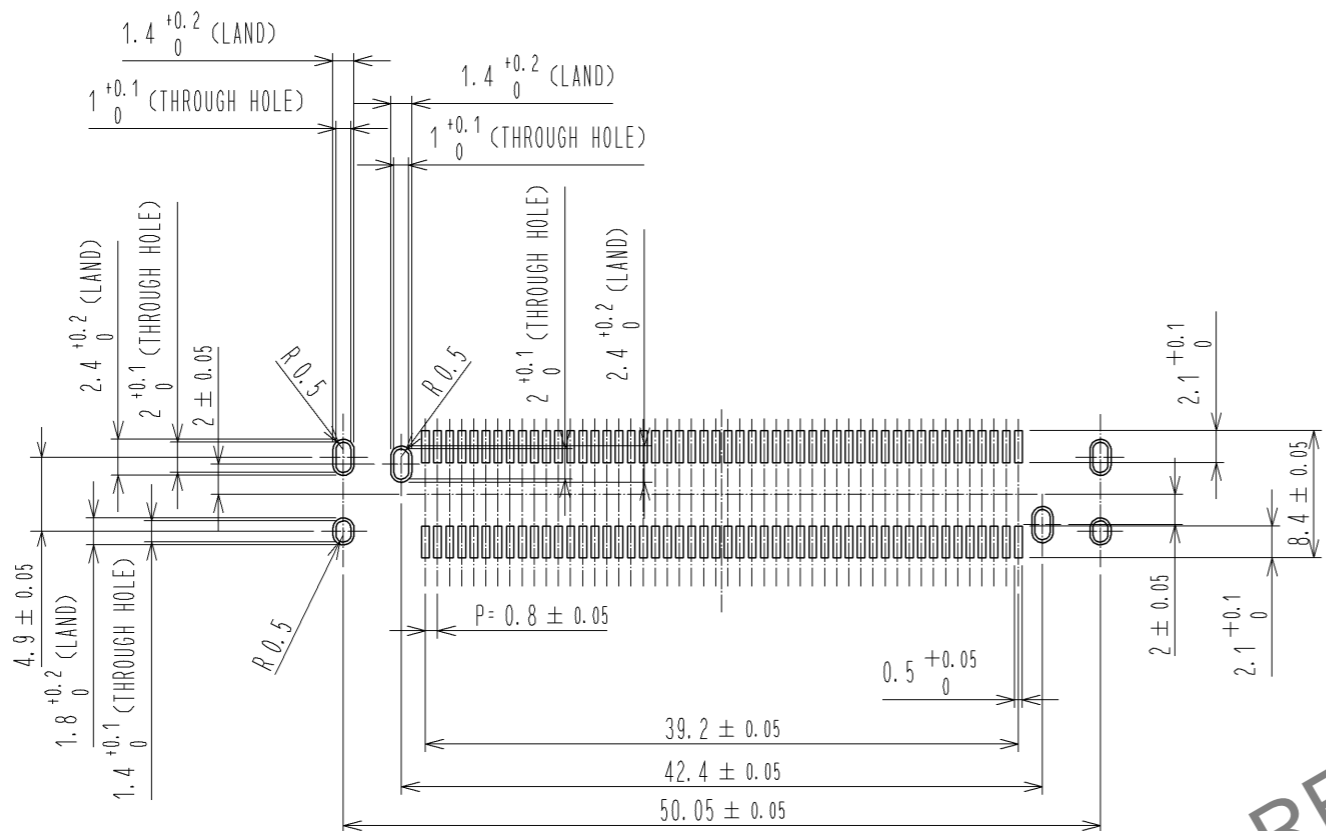
NO.	MATERIAL	FINISH	REMARKS	NO.	MATERIAL	FINISH	REMARKS

UNITS	mm	SCALE	2 : 1	COUNT	DESCRIPTION OF REVISIONS	DESIGNED	CHECKED	DATE
					APPROVED : HS. OKAWA	12.06.12		
					CHECKED : KI. HIROKAWA	12.06.12		
					DESIGNED : AH. EDASHIGE	12.06.12		
					DRAWN : AH. EDASHIGE	12.06.12		

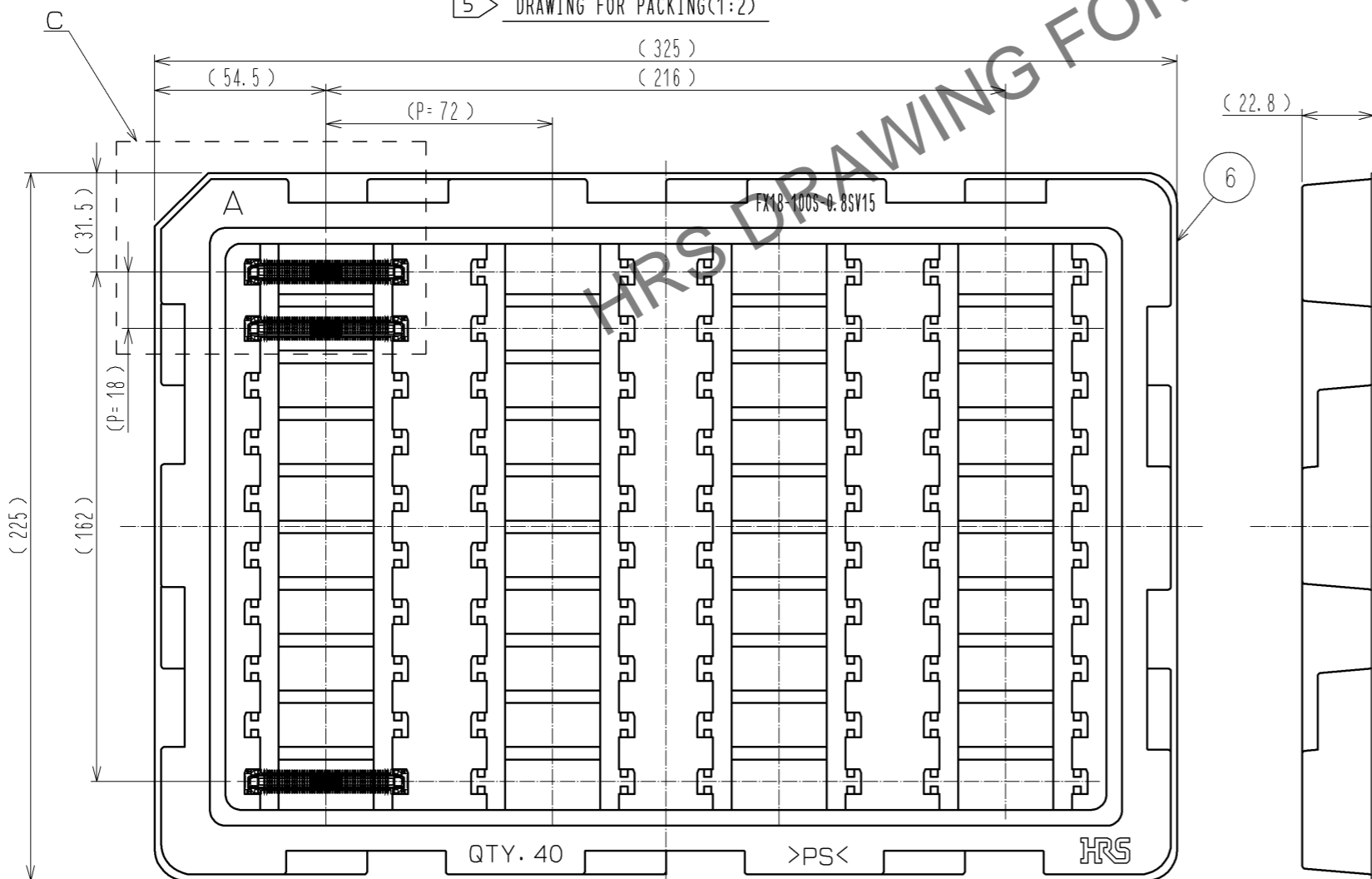
DRAWING NO.	EDC3-343465-00
PART NO.	FX18-100S-0.8SV15
CODE NO.	CL579-0036-7-00

Mar.1.2026 Copyright 2026 HIROSE ELECTRIC CO., LTD. All Rights Reserved.  
 In case of consideration for using Automotive equipment / device which demand high reliability, kindly contact our sales window correspondents.

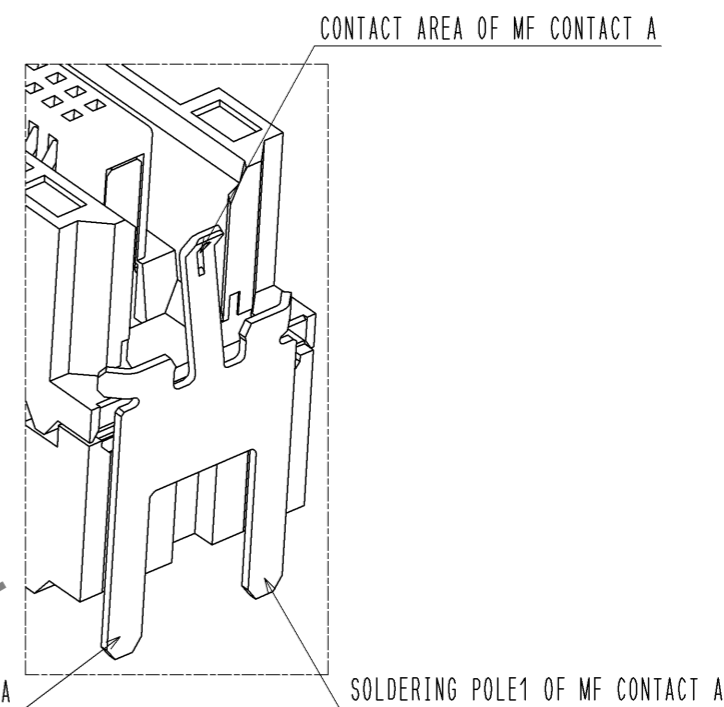
RECOMMENDED LAND PATTERN DIMENSION OF PCB(2:1)  
 (PCB THICKNESS:t=1.6mm METAL MASK THICKNESS:t=0.12mm)



5 DRAWING FOR PACKING(1:2)

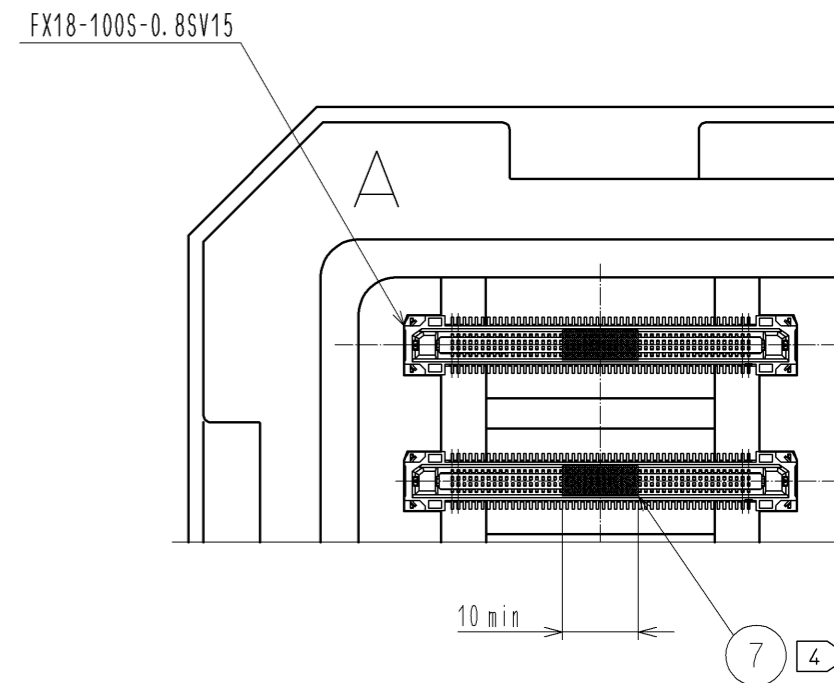


8 CONFIGURATION OF MF CONTACT A



NOTE 8 SOLDERING LEAD OF MF CONTACT A SPLITS INTO TWO POLES.  
 BE SURE TO CONNECT TO THE SAME CIRCUIT.

C (1:1)



<b>HRS</b>	DRAWING NO.	EDC3-343465-00	2/2
	PART NO.	FX18-100S-0.8SV15	
	CODE NO.	CL579-0036-7-00	