

Apr.1.2026 Copyright 2026 HIROSE ELECTRIC CO., LTD. All Rights Reserved.
 In case of consideration for using Automotive equipment / device which demand high reliability, kindly contact our sales window correspondents.

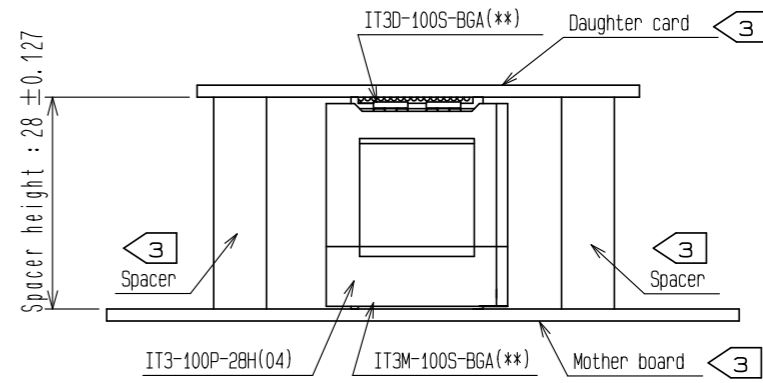
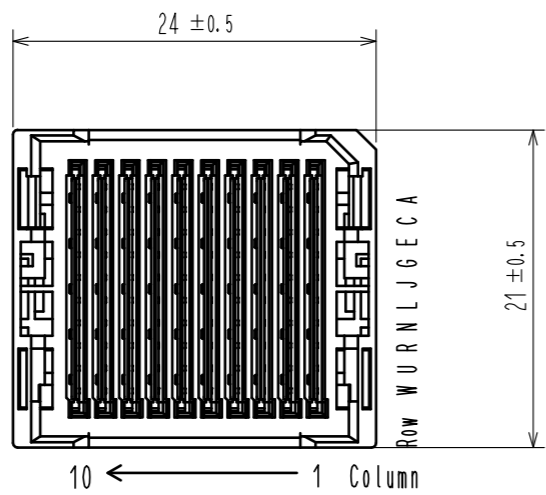
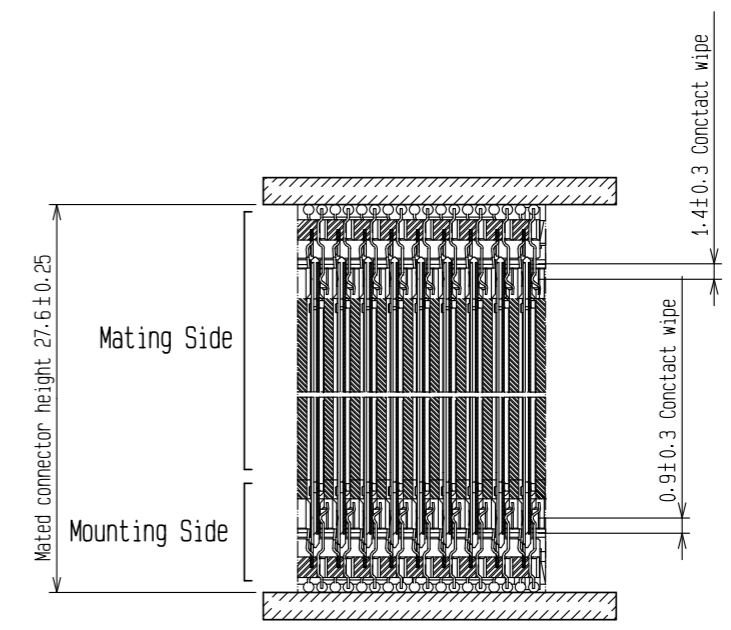
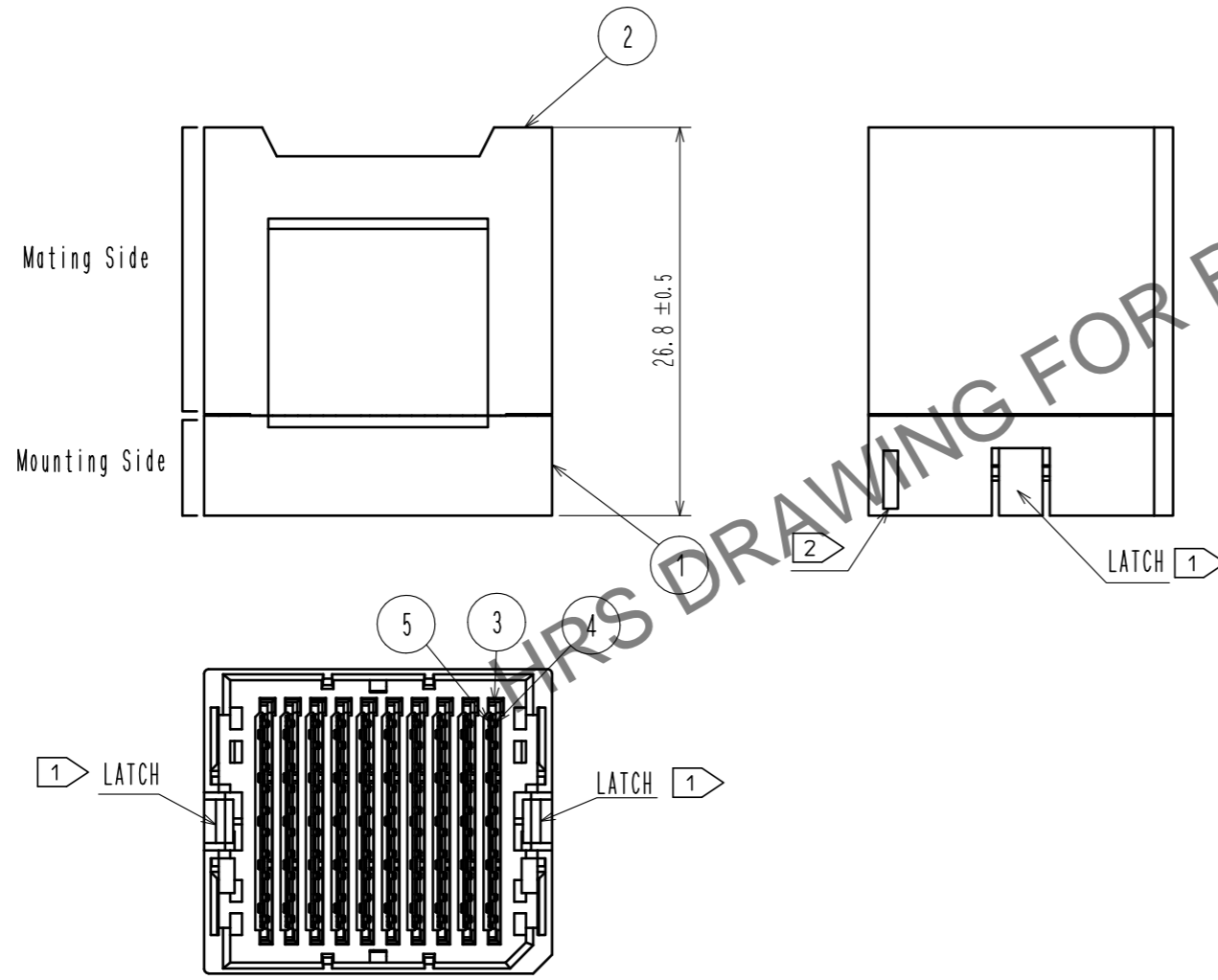


Fig.1(FREE)



Mating Cross Section (Free)

- NOTE.
- ① Mounting side is mated with the receptacle:IT3M-100S-BGA(**) and fixed with the latch.
 - ② Lot No. shall be marked on the indicated position.
 - ③ The indicated mother board and daughter card shall be fastened to the additional reinforcements to prevent the stress on IT3*-100S-BGA(**) solder joints.
 - 4. Please refer to HIROSE document: ETAD-F0347 'IT3 design guideline'.
 - 5. This product consists of 100 signal lines and 90 ground lines.
 - 6. 50pcs of this products are packed in a soft tray.
 - 7. Standard package of 50pcs are packaged in a carton box.

3	LCP	BLACK	UL94V-0	5	Copper Alloy	CONTACT AREA-NICKEL(1.5μm)+GOLD (0.76μm)		
2	PBT	GRAY	UL94V-0	4	Copper Alloy	CONTACT AREA-NICKEL(1.5μm)+GOLD (0.76μm)		
1	PBT	BLACK	UL94V-0					
NO.	MATERIAL	FINISH . REMARKS		NO.	MATERIAL	FINISH . REMARKS		
UNITS	⊙	SCALE	COUNT	DESCRIPTION OF REVISIONS		DESIGNED	CHECKED	DATE
mm		2 : 1	△	APPROVED : MK. EZAKI	15.08.26	DRAWING NO. EDC-157255-04-00		
				CHECKED : MK. EZAKI	15.08.26	PART NO. IT3-100P-28H(04)		
				DESIGNED : TF. SUGAWARA	15.08.26	CODE NO. CL636-0170-0-04		
				DRAWN : KT. AIZAWA	15.08.26			