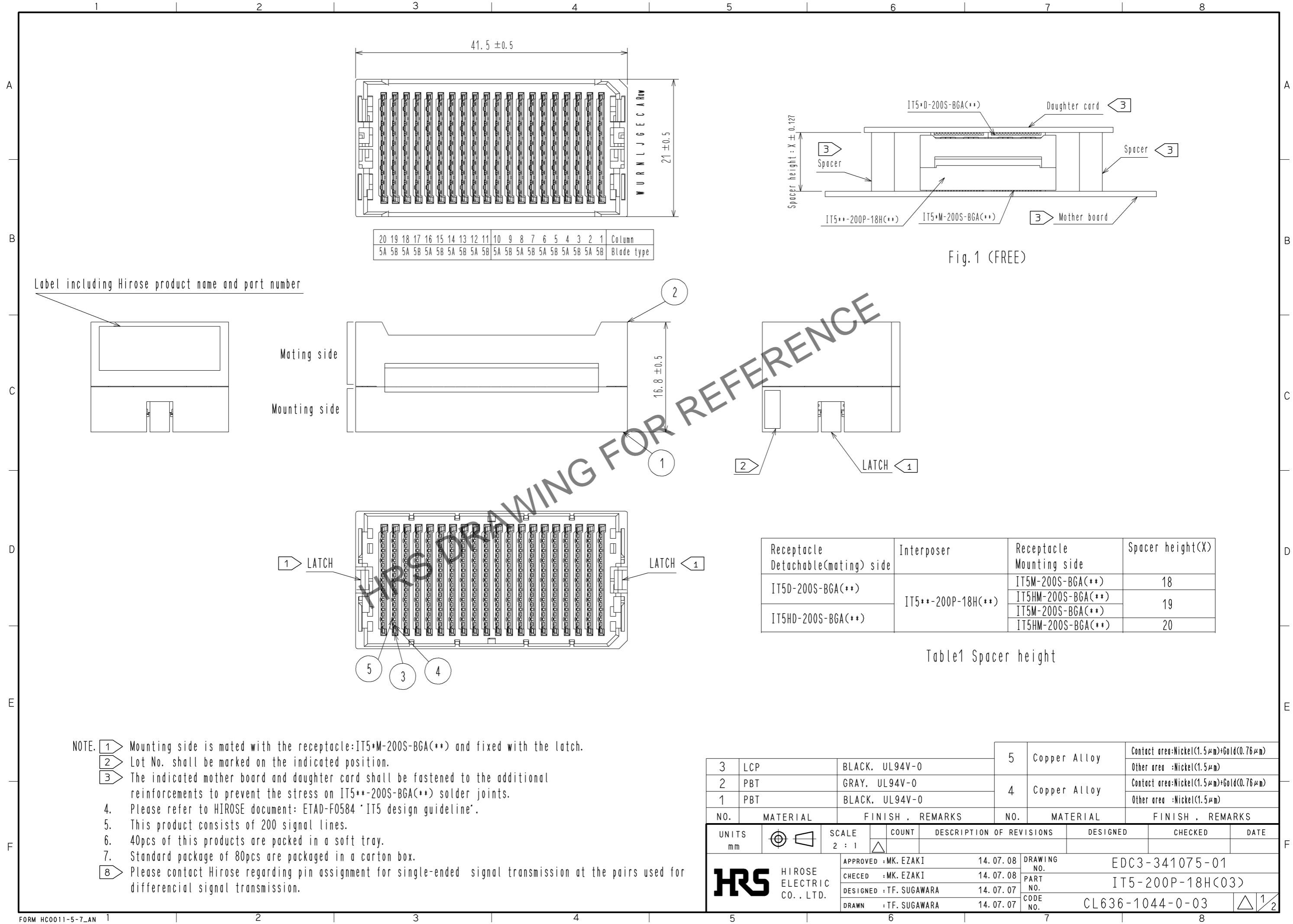


Apr.1.2026 Copyright 2026 HIROSE ELECTRIC CO., LTD. All Rights Reserved.
 In case of consideration for using Automotive equipment / device which demand high reliability, kindly contact our sales window correspondents.



20	19	18	17	16	15	14	13	12	11	10	9	8	7	6	5	4	3	2	1	Column
5A	5B	5A	5B	5A	5B	5A	5B	5A	5B	5A	5B	5A	5B	5A	5B	5A	5B	5A	5B	Blade type

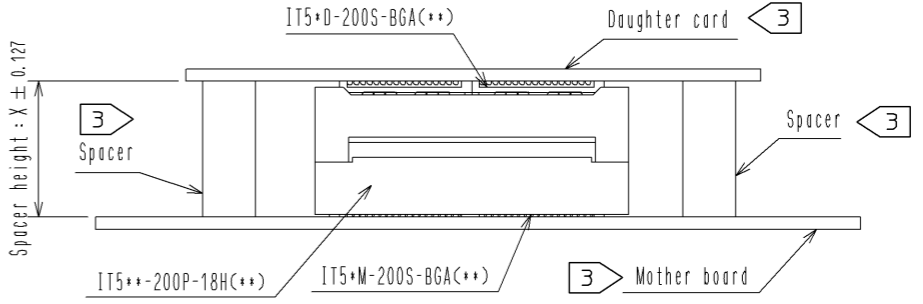
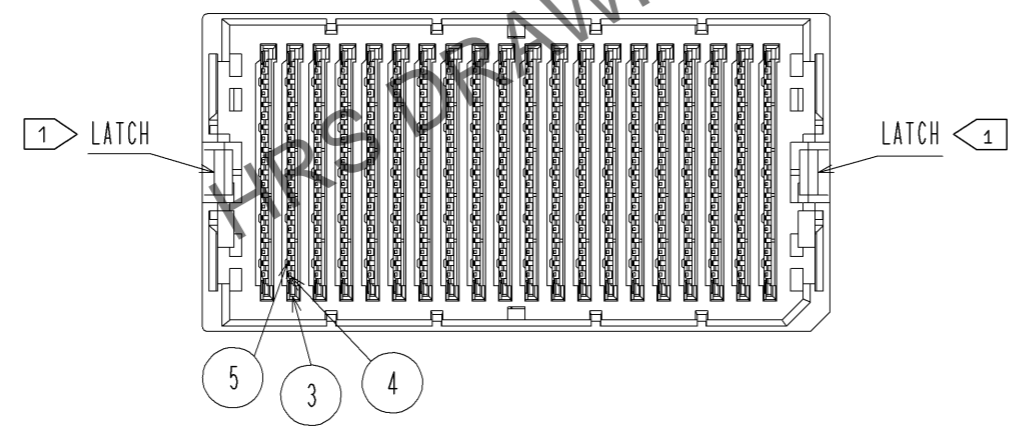


Fig.1 (FREE)



Receptacle Detachable(mating) side	Interposer	Receptacle Mounting side	Spacer height(X)
IT5D-200S-BGA(**)	IT5** -200P-18H(**)	IT5M-200S-BGA(**)	18
		IT5HM-200S-BGA(**)	19
IT5HD-200S-BGA(**)	IT5** -200P-18H(**)	IT5M-200S-BGA(**)	20
		IT5HM-200S-BGA(**)	

Table1 Spacer height

- NOTE.
- 1 Mounting side is mated with the receptacle:IT5*M-200S-BGA(**) and fixed with the latch.
 - 2 Lot No. shall be marked on the indicated position.
 - 3 The indicated mother board and daughter card shall be fastened to the additional reinforcements to prevent the stress on IT5** -200S-BGA(**) solder joints.
 4. Please refer to HIROSE document: ETAD-F0584 'IT5 design guideline'.
 5. This product consists of 200 signal lines.
 6. 40pcs of this products are packed in a soft tray.
 7. Standard package of 80pcs are packaged in a carton box.
 - 8 Please contact Hirose regarding pin assignment for single-ended signal transmission at the pairs used for differential signal transmission.

NO.	MATERIAL	FINISH .	REMARKS	NO.	MATERIAL	FINISH .	REMARKS
3	LCP	BLACK.	UL94V-0	5	Copper Alloy		Contact area:Nickel(1.5μm)+Gold(0.76μm) Other area :Nickel(1.5μm)
2	PBT	GRAY.	UL94V-0	4	Copper Alloy		Contact area:Nickel(1.5μm)+Gold(0.76μm) Other area :Nickel(1.5μm)
1	PBT	BLACK.	UL94V-0				

UNITS	SCALE	COUNT	DESCRIPTION OF REVISIONS	DESIGNED	CHECKED	DATE
mm	2 : 1	△	APPROVED : MK. EZAKI 14.07.08			
			CHECED : MK. EZAKI 14.07.08			
			DESIGNED : TF. SUGAWARA 14.07.07			
			DRAWN : TF. SUGAWARA 14.07.07			

DRAWING NO.	EDC3-341075-01
PART NO.	IT5-200P-18H(03)
CODE NO.	CL636-1044-0-03

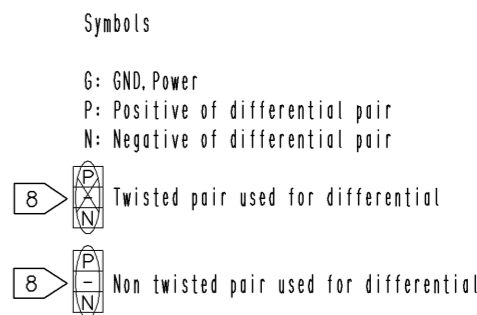
A
B
C
D
E
F

Wafer type		Wafer #	
IT5 wafer B (100 ohm)	IT5 wafer A (100 ohm)	Column	Row
G	G	20	40
G	G	19	39
G	G	18	38
G	G	17	37
G	G	16	36
G	G	15	35
G	G	14	34
G	G	13	33
G	G	12	32
G	G	11	31
G	G	10	30
G	G	9	29
G	G	8	28
G	G	7	27
G	G	6	26
G	G	5	25
G	G	4	24
G	G	3	23
G	G	2	22
G	G	1	21
G	G		20
G	G		19
G	G		18
G	G		17
G	G		16
G	G		15
G	G		14
G	G		13
G	G		12
G	G		11
G	G		10
G	G		9
G	G		8
G	G		7
G	G		6
G	G		5
G	G		4
G	G		3
G	G		2
G	G		1
G	G		X
G	G		A
G	G		B
G	G		C
G	G		D
G	G		E
G	G		F
G	G		G
G	G		H
G	G		I
G	G		J
G	G		K
G	G		L
G	G		M
G	G		N
G	G		O
G	G		P
G	G		Q
G	G		R
G	G		S
G	G		T
G	G		U
G	G		V
G	G		W
G	G		X
G	G		Y

IT5+M-200S-BGA(**) Pin assignment footprint for mounting side

Wafer type		Wafer #	
IT5 wafer B (100 ohm)	IT5 wafer A (100 ohm)	Column	Row
G	G	20	40
G	G	19	39
G	G	18	38
G	G	17	37
G	G	16	36
G	G	15	35
G	G	14	34
G	G	13	33
G	G	12	32
G	G	11	31
G	G	10	30
G	G	9	29
G	G	8	28
G	G	7	27
G	G	6	26
G	G	5	25
G	G	4	24
G	G	3	23
G	G	2	22
G	G	1	21
G	G		20
G	G		19
G	G		18
G	G		17
G	G		16
G	G		15
G	G		14
G	G		13
G	G		12
G	G		11
G	G		10
G	G		9
G	G		8
G	G		7
G	G		6
G	G		5
G	G		4
G	G		3
G	G		2
G	G		1
G	G		Y
G	G		W
G	G		V
G	G		U
G	G		T
G	G		R
G	G		P
G	G		N
G	G		M
G	G		L
G	G		K
G	G		J
G	G		H
G	G		G
G	G		F
G	G		E
G	G		D
G	G		C
G	G		B
G	G		A
G	G		X

IT5+D-200S-BGA(**) Pin assignment footprint for mating side



HRS	DRAWING NO.	EDC3-341075-01
	PART NO.	IT5-200P-18H(C03)
	CODE NO.	CL636-1044-0-03