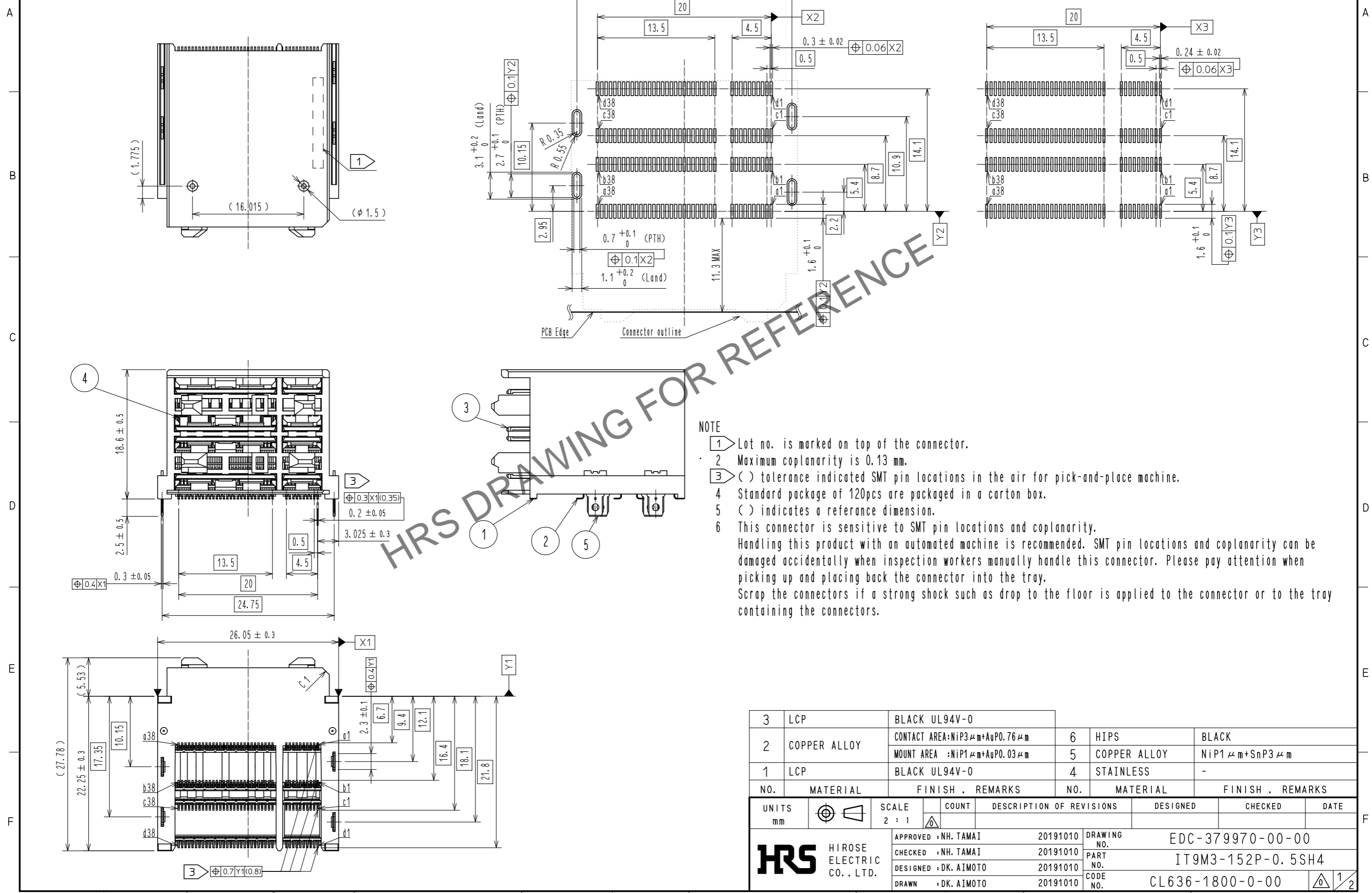


Mar.1.2025 Copyright 2025 HIROSE ELECTRIC CO., LTD. All Rights Reserved.  
 In case of consideration for using Automotive equipment / device which demand high reliability, kindly contact our sales window correspondents.

Recommended Land Pattern Dimension of PCB (Free Scale)

Recommended Stencil Pattern (Free Scale)  
 (Stencil thickness : 0.13mm)



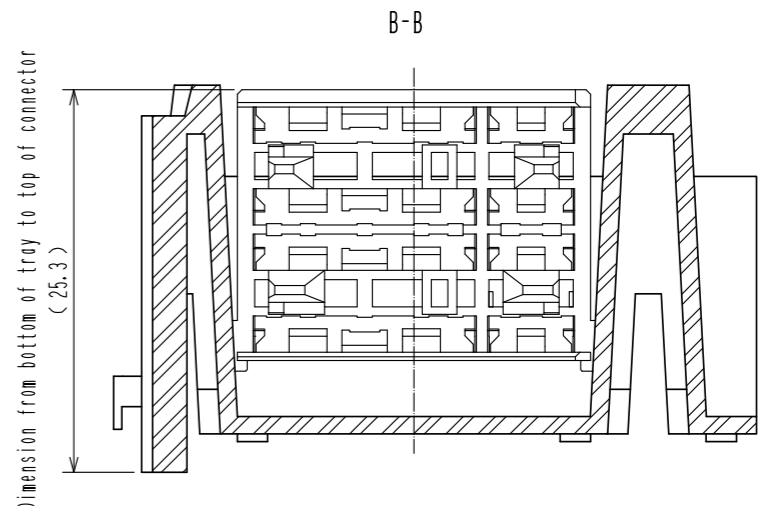
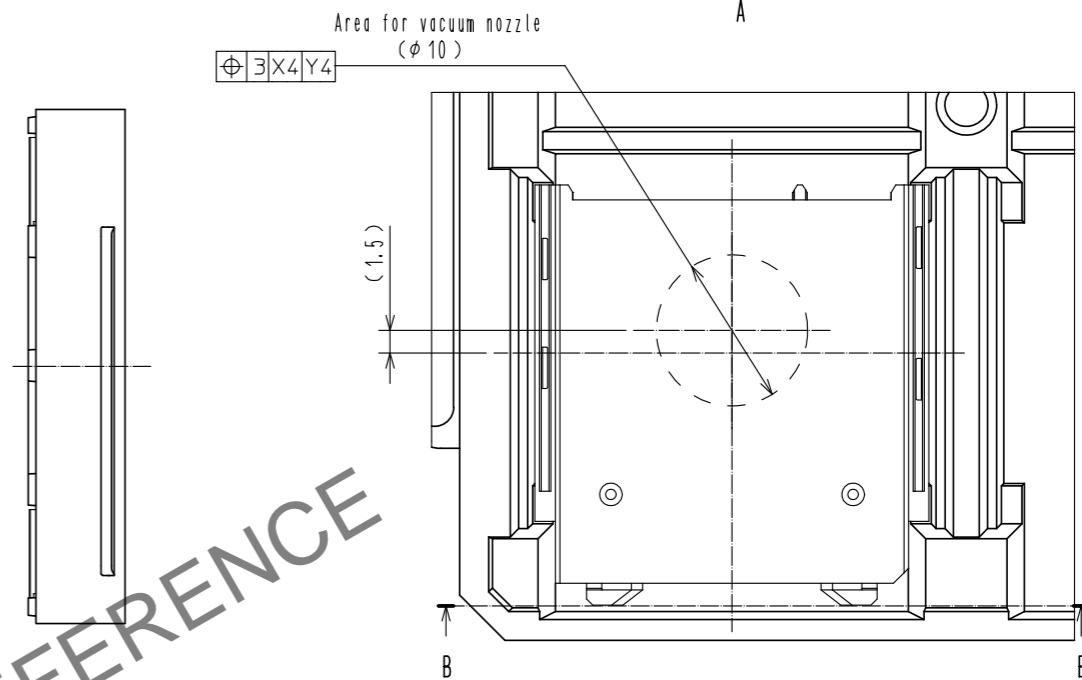
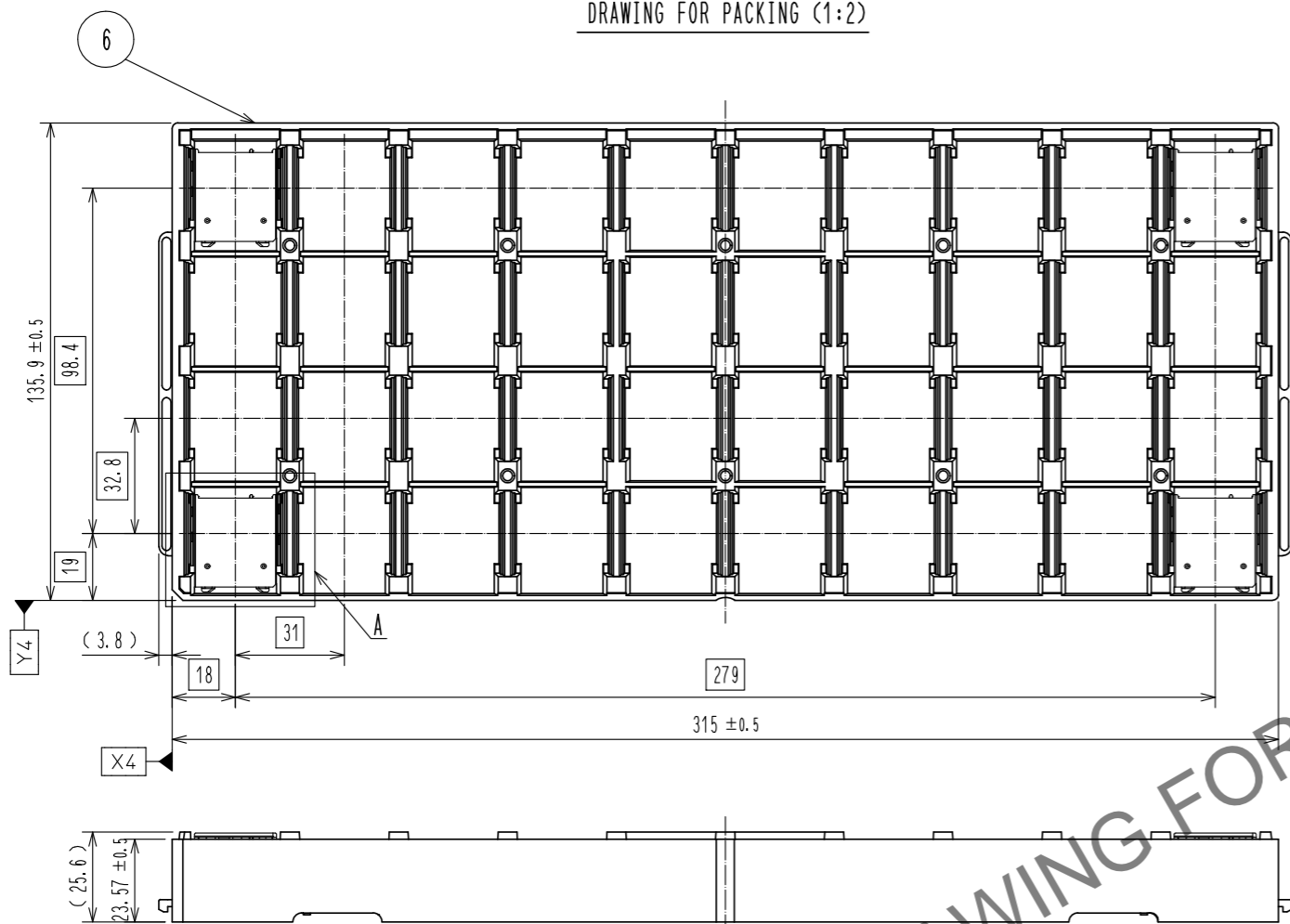
NOTE

- 1 Lot no. is marked on top of the connector.
- 2 Maximum coplanarity is 0.13 mm.
- 3 ( ) tolerance indicated SMT pin locations in the air for pick-and-place machine.
- 4 Standard package of 120pcs are packaged in a carton box.
- 5 ( ) indicates a reference dimension.
- 6 This connector is sensitive to SMT pin locations and coplanarity. Handling this product with an automated machine is recommended. SMT pin locations and coplanarity can be damaged accidentally when inspection workers manually handle this connector. Please pay attention when picking up and placing back the connector into the tray. Scrap the connectors if a strong shock such as drop to the floor is applied to the connector or to the tray containing the connectors.

3	LCP	BLACK UL94V-0	6	HIPS	BLACK
2	COPPER ALLOY	CONTACT AREA: NiP3 μm + AuP0.76 μm MOUNT AREA : NiP1 μm + AuP0.03 μm	5	COPPER ALLOY	NiP1 μm + SnP3 μm
1	LCP	BLACK UL94V-0	4	STAINLESS	-
NO.	MATERIAL	FINISH . REMARKS	NO.	MATERIAL	FINISH . REMARKS
UNITS mm		SCALE 2 : 1		DESCRIPTION OF REVISIONS	DESIGNED
APPROVED : NH. TAMAI 20191010			DRAWING NO. EDC-379970-00-00		
CHECKED : NH. TAMAI 20191010			PART NO. IT9M3-152P-0.5SH4		
DESIGNED : DK. AIMOTO 20191010			CODE NO. CL636-1800-0-00		
DRAWN : DK. AIMOTO 20191010			DATE		

Mar.1.2025 Copyright 2025 HIROSE ELECTRIC CO., LTD. All Rights Reserved.  
 In case of consideration for using Automotive equipment / device which demand high reliability, kindly contact our sales window correspondents.

DRAWING FOR PACKING (1:2)



HRS DRAWING FOR REFERENCE

Pin Assignment

	Pin Number																											
	38	37	36	35	34	33	32	31	30	29	28	27	26	25	24	23	22	21	20	19	18	17	16	15	14	13	12	11
Row d	G	S	S	G	S	S	G	S	S	G	S	S	G	S	S	G	S	S	G	S	S	G	S	S	G	S	S	G
Row c	G	S	S	G	S	S	G	S	S	G	S	S	G	S	S	G	S	S	G	S	S	G	S	S	G	S	S	G
Row b	G	S	S	G	S	S	G	S	S	G	S	S	G	S	S	G	S	S	G	S	S	G	S	S	G	S	S	G
Row a	G	S	S	G	S	S	G	S	S	G	S	S	G	S	S	G	S	S	G	S	S	G	S	S	G	S	S	G

	Pin Number									
	10	09	08	07	06	05	04	03	02	01
Row d	U	U	U	U	U	U	U	U	U	U
Row c	U	U	U	U	U	U	U	U	U	U
Row b	U	U	U	U	U	U	U	U	U	U
Row a	U	U	U	U	U	U	U	U	U	U

S : Differential Signal Pin  
 G : Dedicated Ground Pin  
 U : Universal Pin

HRS	DRAWING NO.	EDC-379970-00-00
	PART NO.	IT9M3-152P-0.5SH4
	CODE NO.	CL636-1800-0-00
		2/2