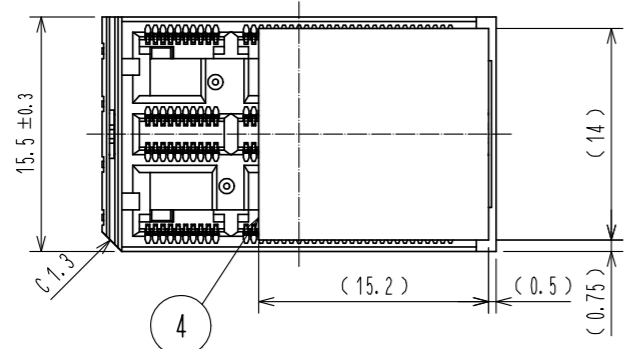
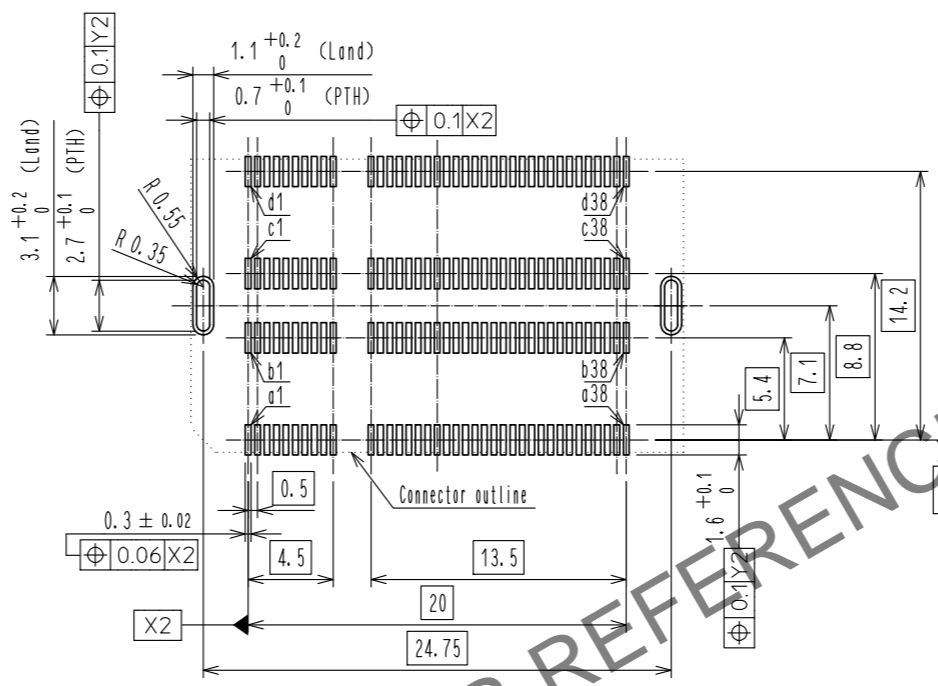


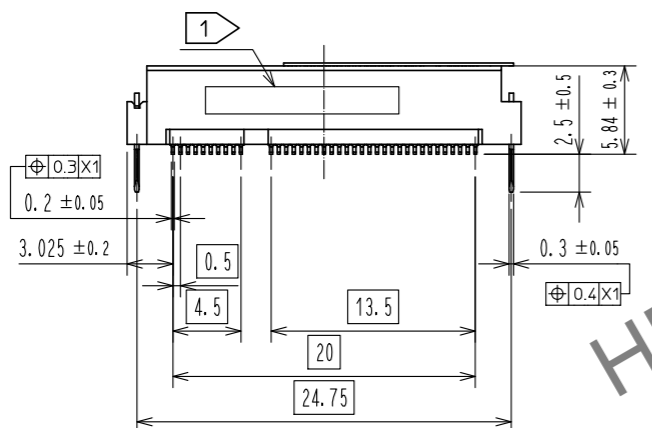
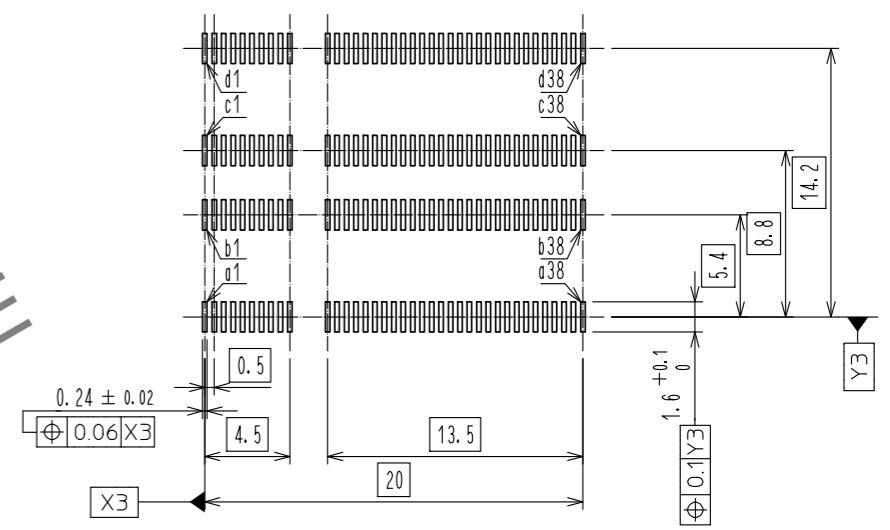
Mar.1.2025 Copyright 2025 HIROSE ELECTRIC CO., LTD. All Rights Reserved.
In case of consideration for using Automotive equipment / device which demand high reliability, kindly contact our sales window correspondents.



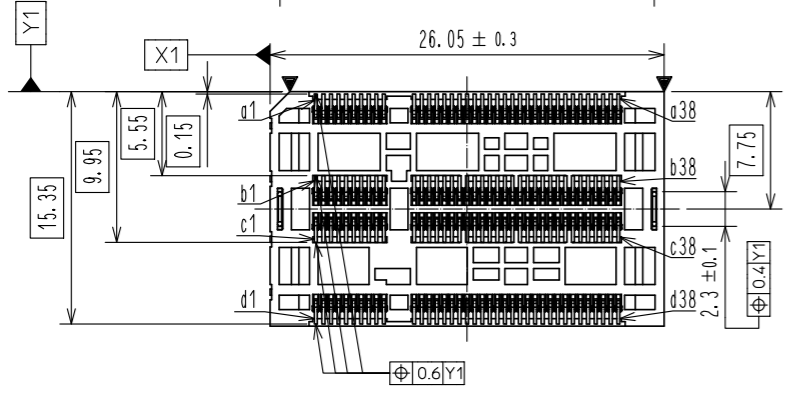
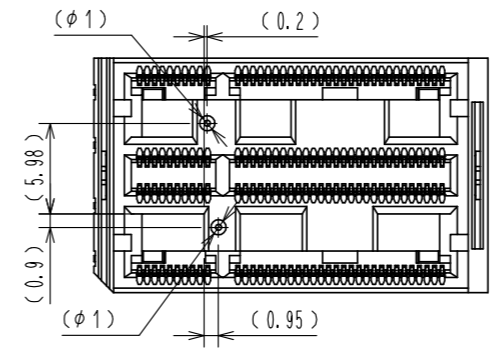
Recommended Land Pattern Dimension of PCB (Free Scale)



Recommended Stencil Pattern (Free Scale)
(Stencil thickness : 0.13mm)



Location Mark



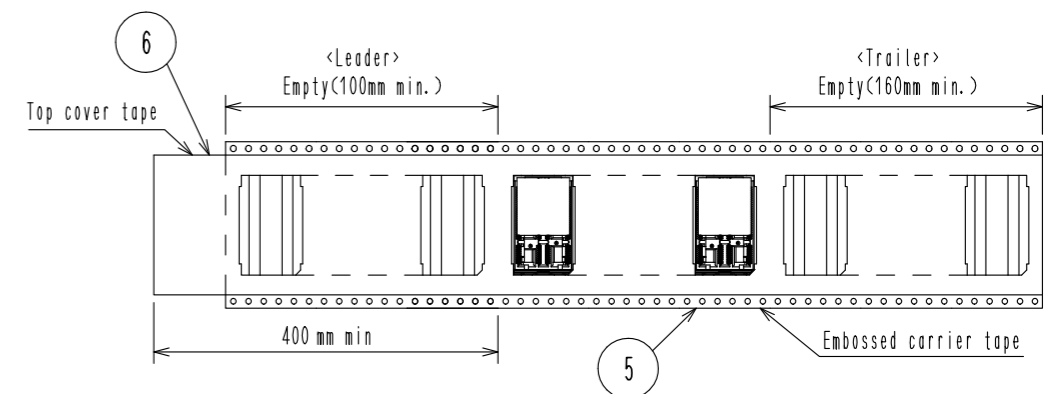
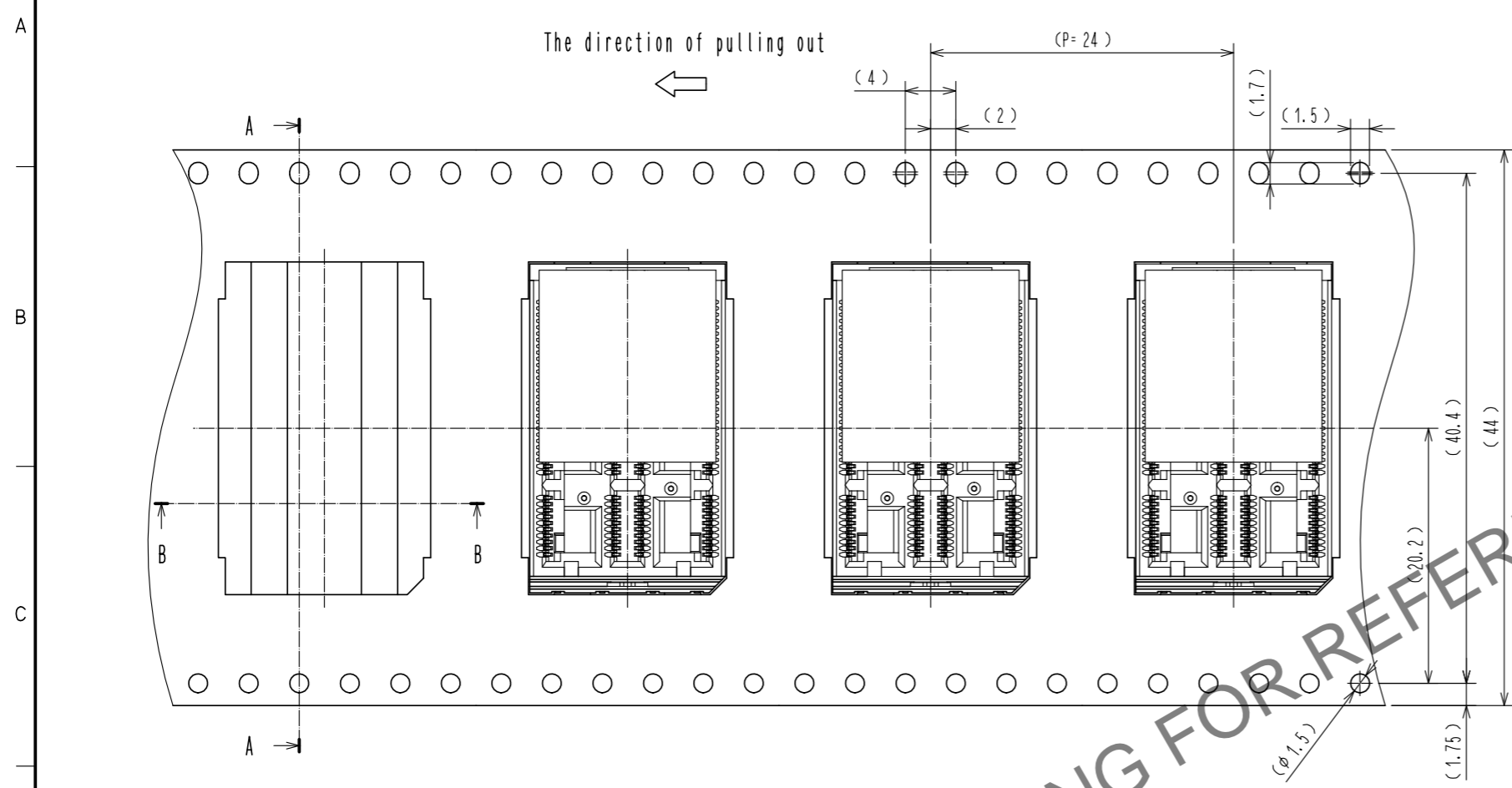
- NOTE
- 1 Lot no. is marked on indicated position.
 - 2 Maximum coplanarity is 0.13 mm.
 - 3 Standard package of 400pcs are packaged in embossed carrier tape.
 - 4 () indicates a reference dimension.

4	NOMEX	(Tape for vaccum pick and place)	6	PS	(Top Cover Tape)
3	COPPER ALLOY	NiP1 μm+SnP3 μm	5	PS	(Embossed Carrier Tape)
1	LCP	BLACK UL94V-0	2	COPPER ALLOY	CONTACT AREA: NiP3 μm+AuP0.76 μm MOUNT AREA : NiP1 μm+AuP0.03 μm
NO.	MATERIAL	FINISH . REMARKS	NO.	MATERIAL	FINISH . REMARKS
UNITS mm		SCALE 2 : 1	COUNT		DESCRIPTION OF REVISIONS
DESIGNED		CHECKED		DATE	
APPROVED : NH. TAMAI			20191010		
CHECKED : NH. TAMAI			20191010		
DESIGNED : DK. AIMOTO			20191010		
DRAWN : DK. AIMOTO			20191010		
DRAWING NO.			EDC-379971-00-00		
PART NO.			IT9M3-152S-0.5SV4		
CODE NO.			CL636-1801-0-00		
					1/2

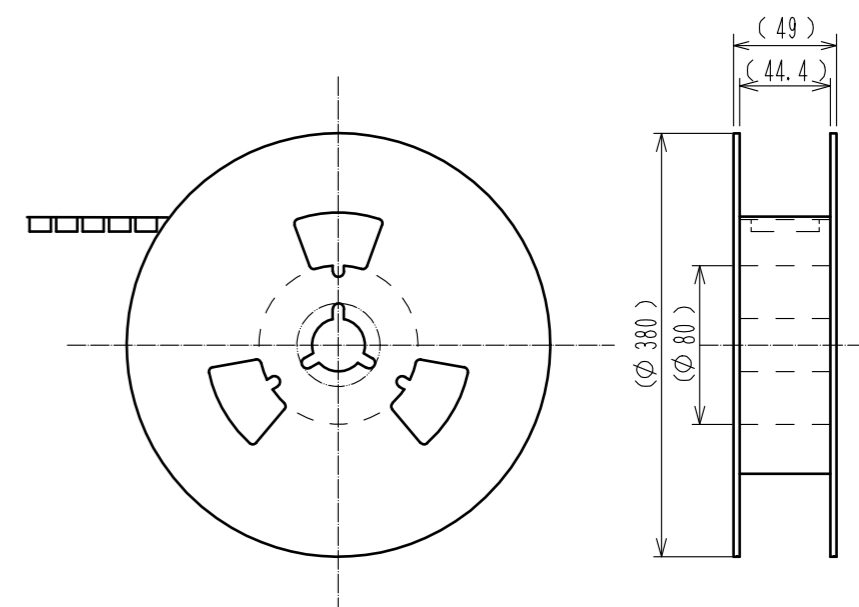
Mar.1.2025 Copyright 2025 HIROSE ELECTRIC CO., LTD. All Rights Reserved.
 In case of consideration for using Automotive equipment / device which demand high reliability, kindly contact our sales window correspondents.

Drawing for packaging

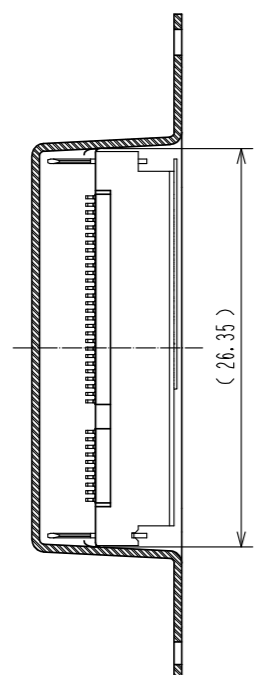
Tape leader & trailer dimensions (1:1)



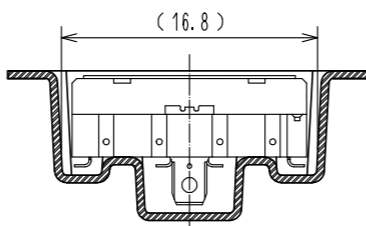
Detail of reel (Free)



A-A



B-B



HRS DRAWING FOR REFERENCE

HRS	DRAWING NO.	EDC-379971-00-00
	PART NO.	IT9M3-152S-0.5SV4
	CODE NO.	CL636-1801-0-00
		2/2