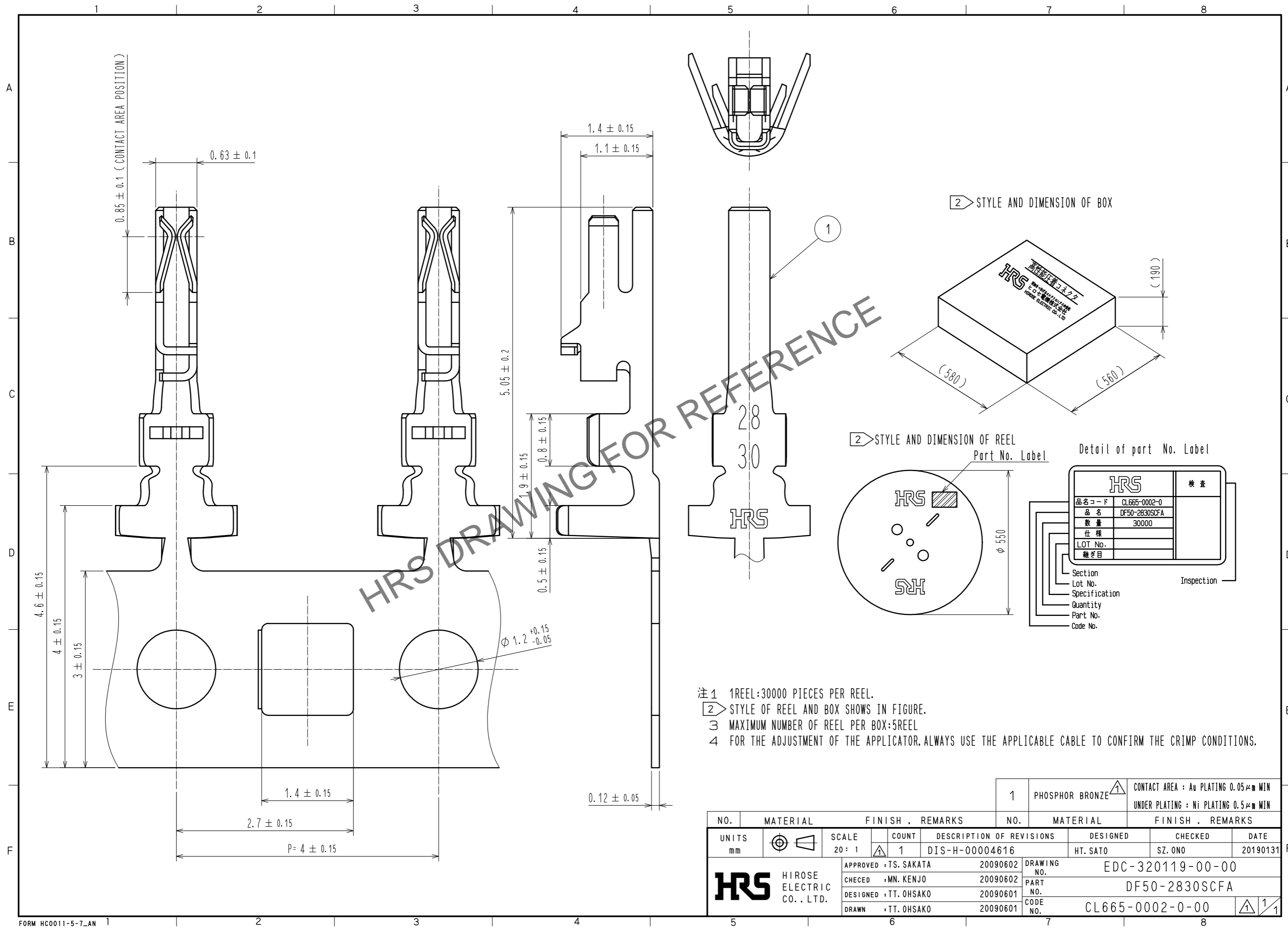
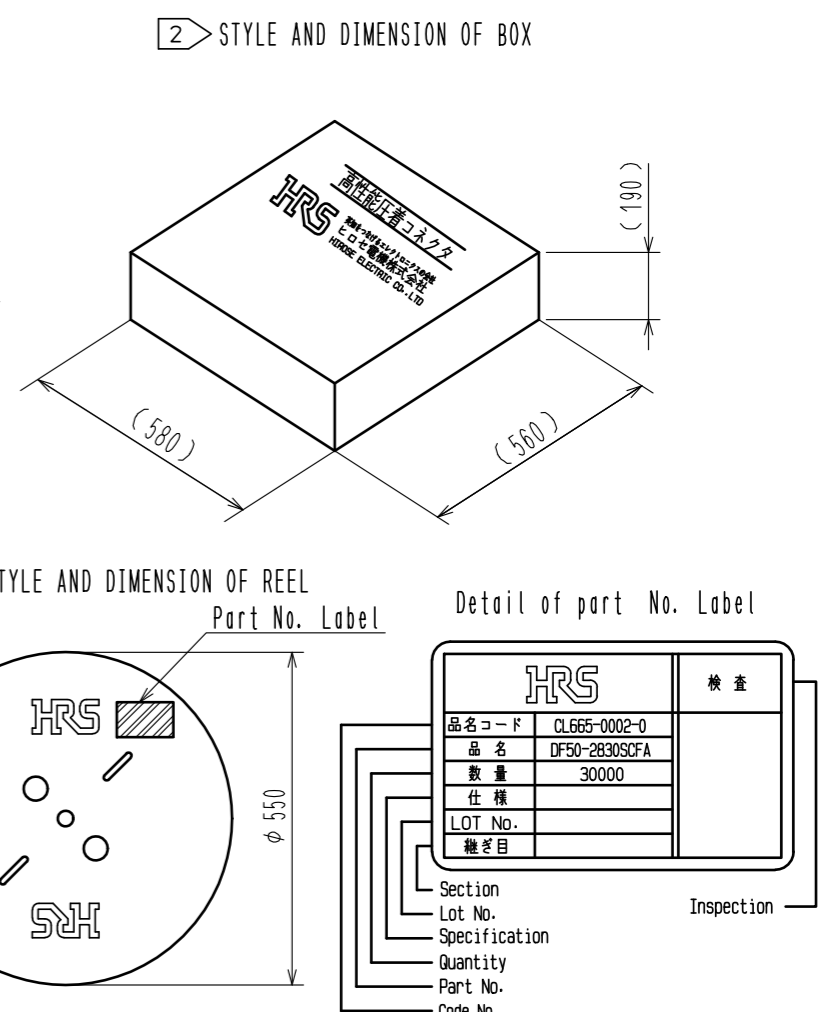


Apr.1.2024 Copyright 2024 HIROSE ELECTRIC CO., LTD. All Rights Reserved.  
 In case of consideration for using Automotive equipment / device which demand high reliability, kindly contact our sales window correspondents.



- 注1 1REEL:30000 PIECES PER REEL.  
 注2 STYLE OF REEL AND BOX SHOWS IN FIGURE.  
 注3 MAXIMUM NUMBER OF REEL PER BOX:5REEL  
 注4 FOR THE ADJUSTMENT OF THE APPLICATOR, ALWAYS USE THE APPLICABLE CABLE TO CONFIRM THE CRIMP CONDITIONS.



NO.	MATERIAL	FINISH	REMARKS	NO.	MATERIAL	FINISH	REMARKS
1	PHOSPHOR BRONZE						CONTACT AREA : Au PLATING 0.05μm MIN UNDER PLATING : Ni PLATING 0.5μm MIN

UNITS	SCALE	COUNT	DESCRIPTION OF REVISIONS	DESIGNED	CHECKED	DATE
mm	20:1	1	DIS-H-00004616	HT. SATO	SZ. ONO	20190131

APPROVED	CHECKED	DESIGNED	DRAWN	NO.	NO.	NO.	NO.
TS. SAKATA	MN. KENJO	TT. OHSAKO	TT. OHSAKO	20090602	20090602	20090601	20090601

DRAWING NO.	PART NO.	CODE NO.
EDC-320119-00-00	DF50-2830SCFA	CL665-0002-0-00