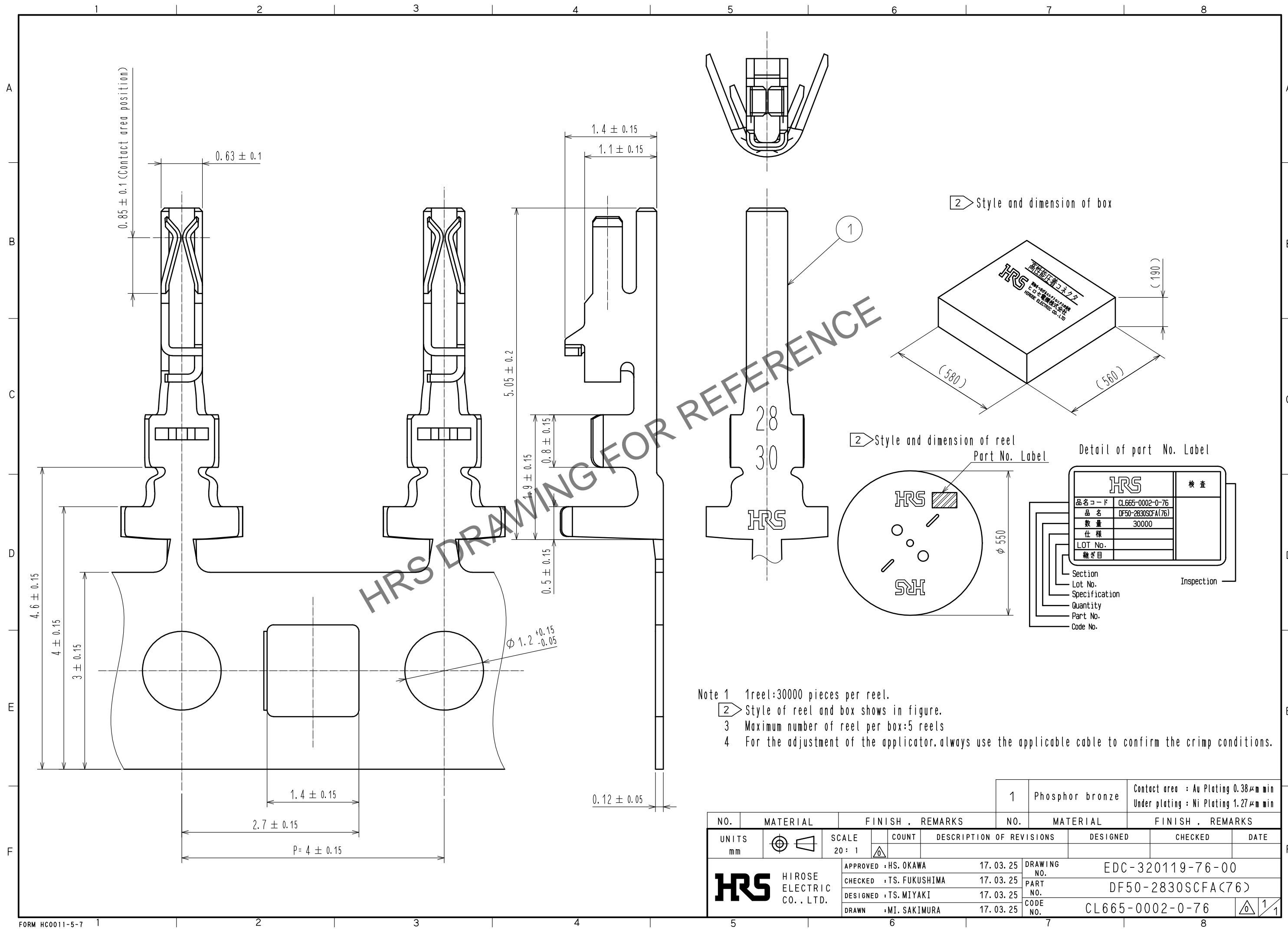


Apr.1.2024 Copyright 2024 HIROSE ELECTRIC CO., LTD. All Rights Reserved.  
In case of consideration for using Automotive equipment / device which demand high reliability, kindly contact our sales window correspondents.



- Note 1 1reel:30000 pieces per reel.  
 2 Style of reel and box shows in figure.  
 3 Maximum number of reel per box:5 reels  
 4 For the adjustment of the applicator, always use the applicable cable to confirm the crimp conditions.

NO.		MATERIAL		FINISH . REMARKS		NO.		MATERIAL		FINISH . REMARKS		
UNITS mm		SCALE 20: 1		COUNT		DESCRIPTION OF REVISIONS		DESIGNED		CHECKED		DATE
APPROVED : HS. OKAWA		17.03.25		DRAWING NO.		EDC-320119-76-00		PART NO.		DF50-2830SCFA(76)		
CHECKED : TS. FUKUSHIMA		17.03.25		CODE NO.		CL665-0002-0-76		1				
DESIGNED : TS. MIYAKI		17.03.25		DRAWN : MI. SAKIMURA		17.03.25						
HRS HIROSE ELECTRIC CO., LTD.												