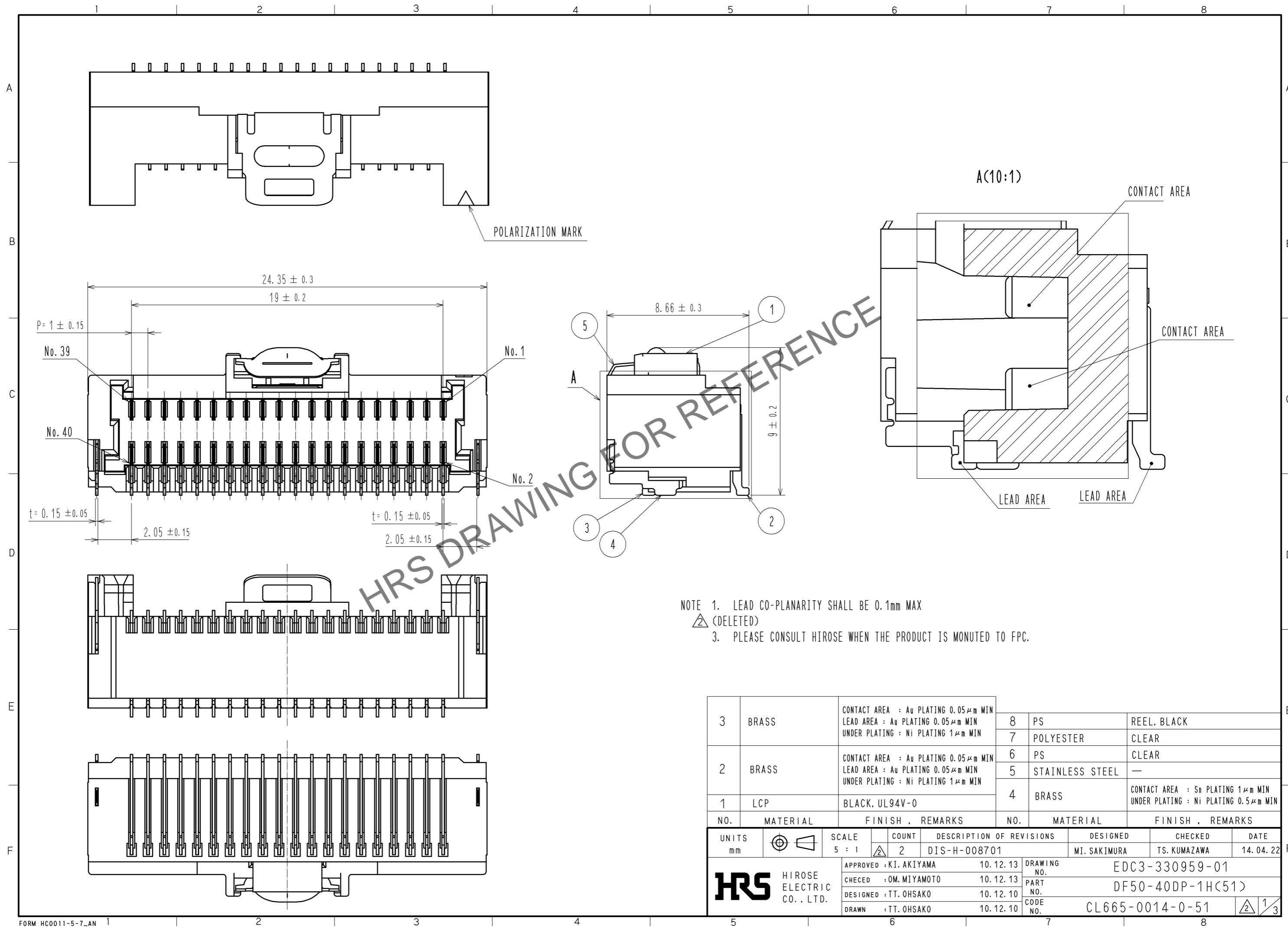


Apr.1.2024 Copyright 2024 HIROSE ELECTRIC CO., LTD. All Rights Reserved.
 In case of consideration for using Automotive equipment / device which demand high reliability, kindly contact our sales window correspondents.



NOTE 1. LEAD CO-PLANARITY SHALL BE 0.1mm MAX
 2. (DELETED)
 3. PLEASE CONSULT HIROSE WHEN THE PRODUCT IS MONUTED TO FPC.

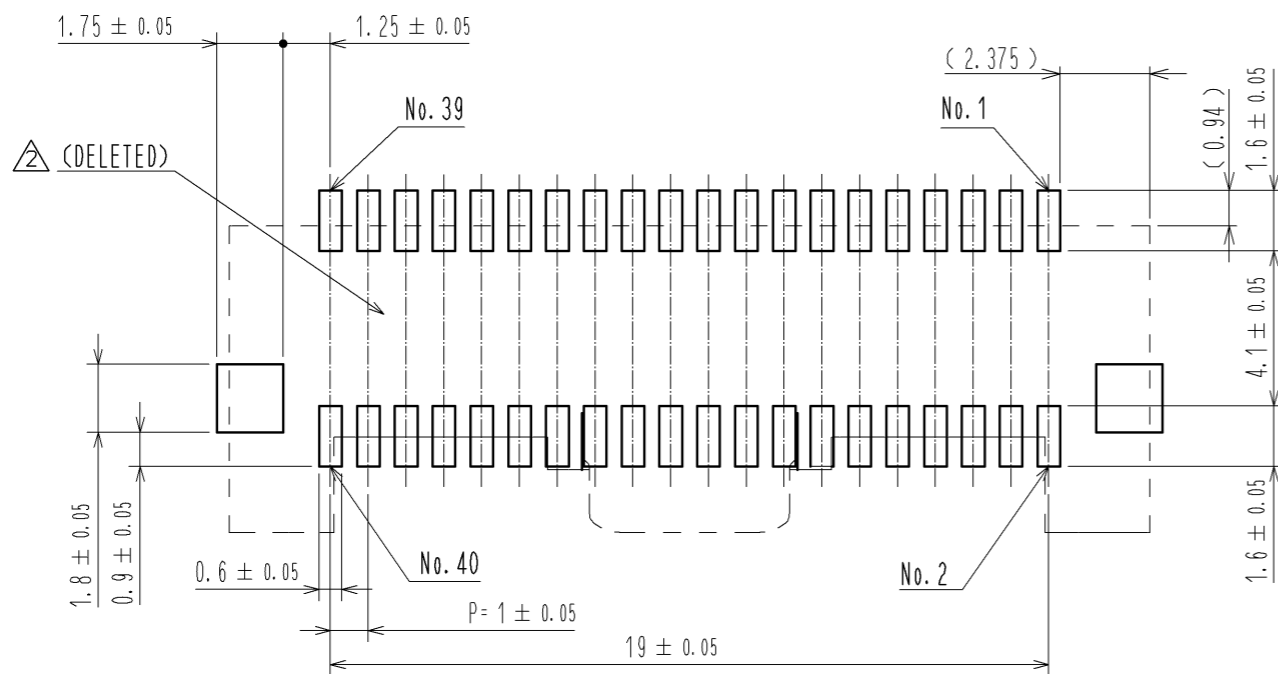
NO.	MATERIAL	FINISH . REMARKS	NO.	MATERIAL	FINISH . REMARKS
3	BRASS	CONTACT AREA : Au PLATING 0.05 μ m MIN LEAD AREA : Au PLATING 0.05 μ m MIN UNDER PLATING : Ni PLATING 1 μ m MIN	8	PS	REEL, BLACK
			7	POLYESTER	CLEAR
2	BRASS	CONTACT AREA : Au PLATING 0.05 μ m MIN LEAD AREA : Au PLATING 0.05 μ m MIN UNDER PLATING : Ni PLATING 1 μ m MIN	6	PS	CLEAR
			5	STAINLESS STEEL	—
1	LCP	BLACK, UL94V-0	4	BRASS	CONTACT AREA : Sn PLATING 1 μ m MIN UNDER PLATING : Ni PLATING 0.5 μ m MIN

UNITS	SCALE	COUNT	DESCRIPTION OF REVISIONS	DESIGNED	CHECKED	DATE
mm	5 : 1	2	DIS-H-008701	MI. SAKIMURA	TS. KUMAZAWA	14. 04. 22

APPROVED	CHECKED	DESIGNED	DRAWN	DATE	DRAWING NO.	PART NO.	CODE NO.
KI. AKIYAMA	OM. MIYAMOTO	TT. OHSAKO	TT. OHSAKO	10. 12. 13	EDC3-330959-01	DF50-40DP-1H(51)	CL665-0014-0-51

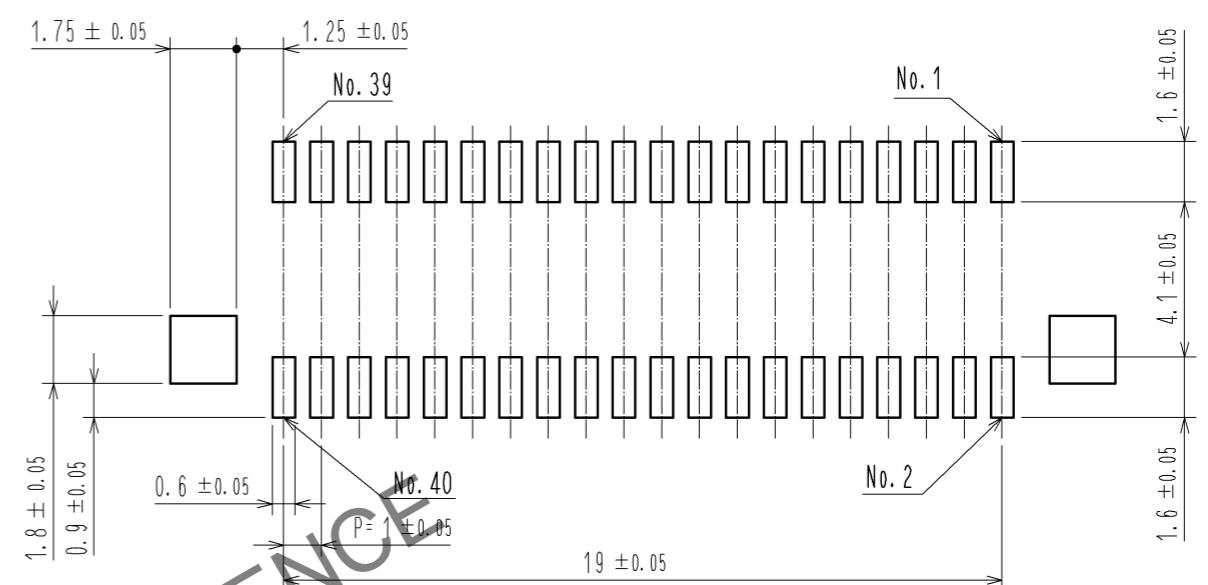
Apr.1.2024 Copyright 2024 HIROSE ELECTRIC CO., LTD. All Rights Reserved.
 In case of consideration for using Automotive equipment / device which demand high reliability, kindly contact our sales window correspondents.

RECOMMENDED PCB LAYOUT
 (MOUNTING SURFACE SIDE) (FREE)



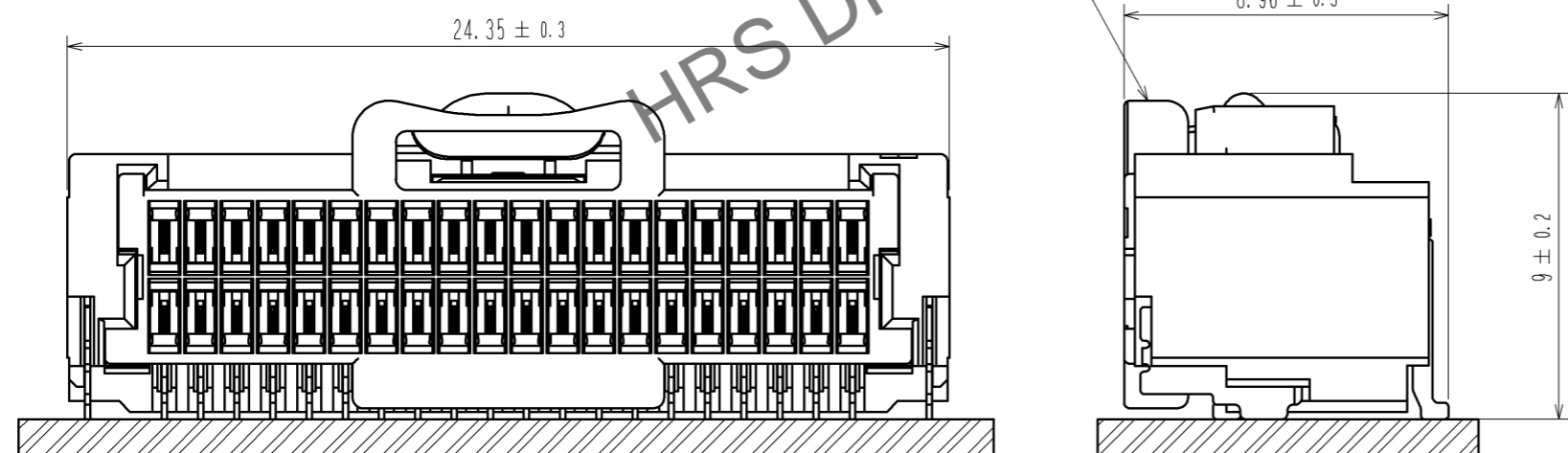
RECOMMENDED METAL MASK (FREE)

THICKNESS : 0.1mm
 OPEN AREA RATIO:100%

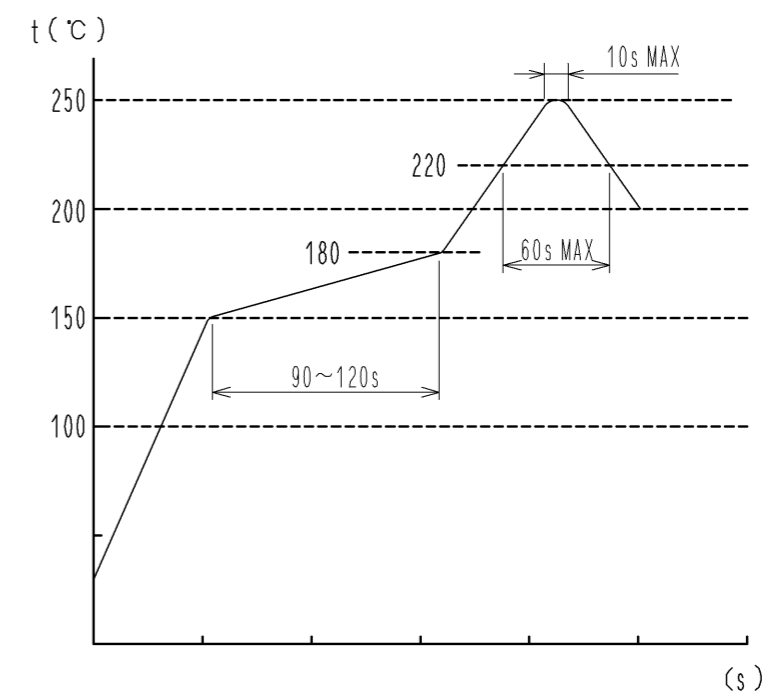


MATING FIGURE (5 : 1)

DF50S-40DS-1C



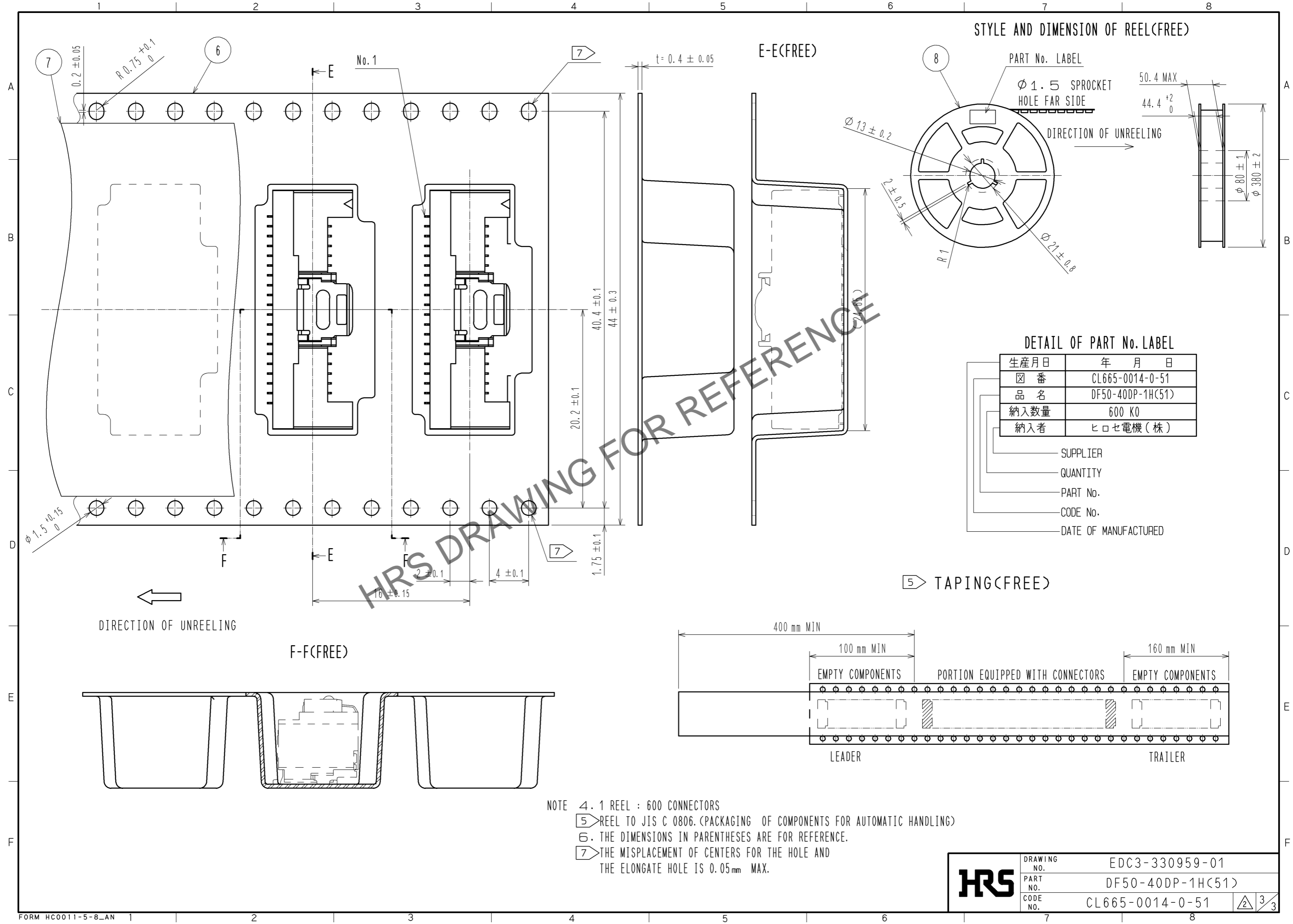
REFLOW TEMPERATURE PROFILE USING LEAD-FREE SOLDER PASTE (REFERENCE)



NUMBER OF REFLOW CYCLES 2 CYCLES MAX.
 THE TEMPERATURE IS MEASURED IN THE TERMINAL LEAD PART.
 ADDITIONAL FACTORS, SUCH AS SOLDER PASTE TYPE,
 PCB SIZE AND OTHER MOUNTED COMPONENTS COULD AFFECT
 THE PROFILE. THEREFORE, A THOROUGH EVALUATION OF
 MOUNTING CONDITION IS REQUIRED PRIOR TO PRODUCTION.
 TEMPERATURE IS MEASURED AT CONTACT LEAD.

HRS	DRAWING NO.	EDC3-330959-01
	PART NO.	DF50-40DP-1H(51)
	CODE NO.	CL665-0014-0-51
		2/3

Apr.1.2024 Copyright 2024 HIROSE ELECTRIC CO., LTD. All Rights Reserved.
 In case of consideration for using Automotive equipment / device which demand high reliability, kindly contact our sales window correspondents.



HRS	DRAWING NO.	EDC3-330959-01
	PART NO.	DF50-40DP-1H(51)
	CODE NO.	CL665-0014-0-51
		3/3