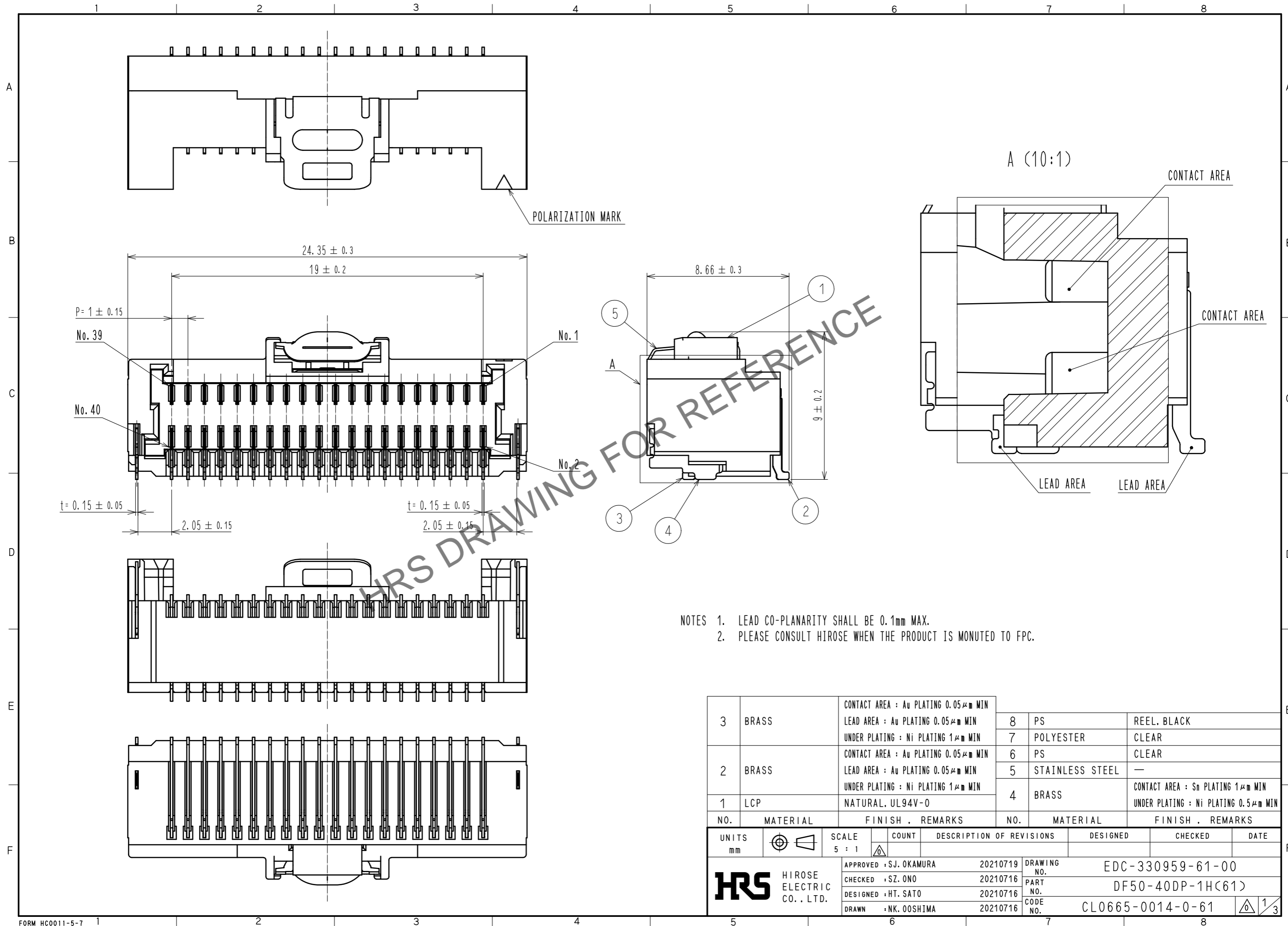


Apr.1.2024 Copyright 2024 HIROSE ELECTRIC CO., LTD. All Rights Reserved.  
In case of consideration for using Automotive equipment / device which demand high reliability, kindly contact our sales window correspondents.



- NOTES 1. LEAD CO-PLANARITY SHALL BE 0.1mm MAX.  
2. PLEASE CONSULT HIROSE WHEN THE PRODUCT IS MONUTED TO FPC.

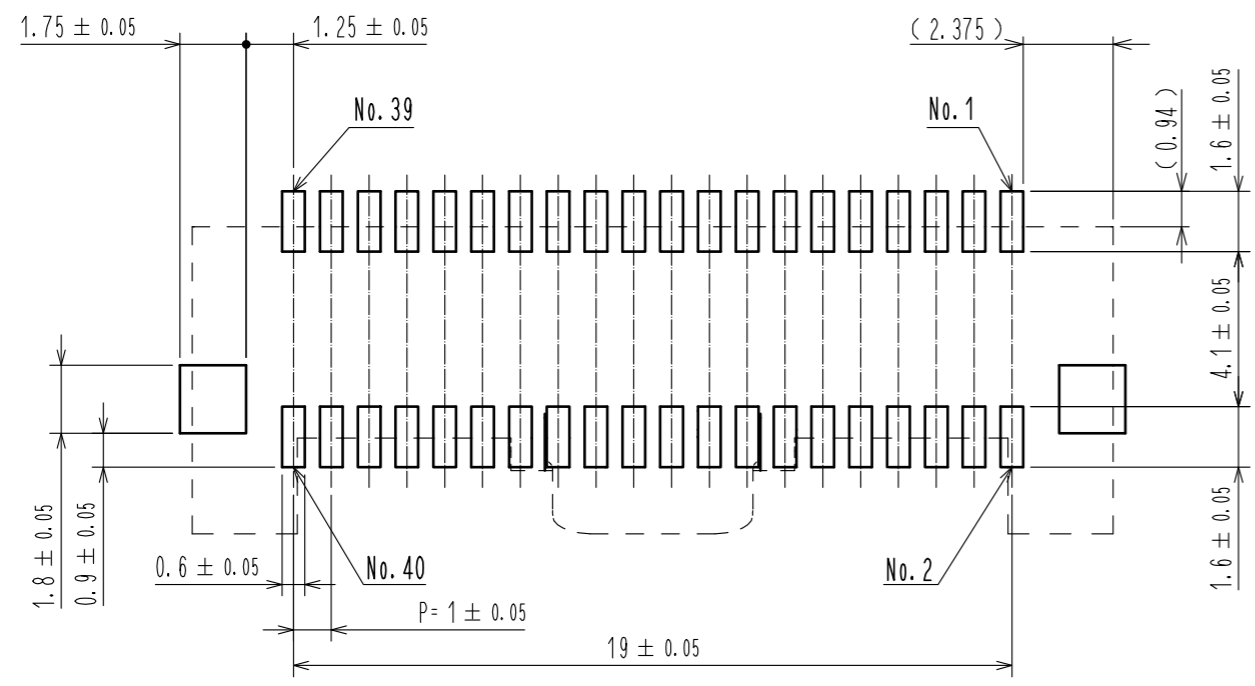
NO.	MATERIAL	FINISH . REMARKS	NO.	MATERIAL	FINISH . REMARKS
3	BRASS	CONTACT AREA : Au PLATING 0.05μm MIN LEAD AREA : Au PLATING 0.05μm MIN UNDER PLATING : Ni PLATING 1μm MIN	8	PS	REEL, BLACK
2	BRASS	CONTACT AREA : Au PLATING 0.05μm MIN LEAD AREA : Au PLATING 0.05μm MIN UNDER PLATING : Ni PLATING 1μm MIN	7	POLYESTER	CLEAR
1	LCP	NATURAL, UL94V-0	6	PS	CLEAR
			5	STAINLESS STEEL	—
			4	BRASS	CONTACT AREA : Sn PLATING 1μm MIN UNDER PLATING : Ni PLATING 0.5μm MIN

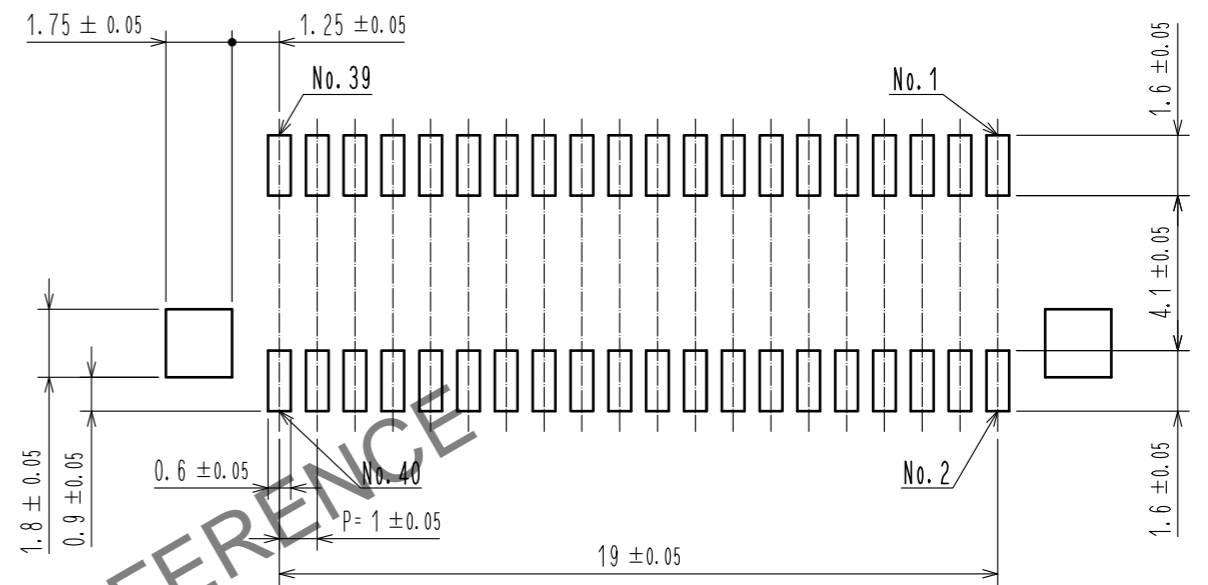
UNITS	SCALE	COUNT	DESCRIPTION OF REVISIONS	DESIGNED	CHECKED	DATE
mm	5 : 1	△				
APPROVED : SJ. OKAMURA 20210719			DRAWING NO. EDC-330959-61-00			
CHECKED : SZ. ONO 20210716			PART NO. DF50-40DP-1H(61)			
DESIGNED : HT. SATO 20210716			CODE NO. CL0665-0014-0-61			
DRAWN : NK. OOSHIMA 20210716			1/3			

Apr.1.2024 Copyright 2024 HIROSE ELECTRIC CO., LTD. All Rights Reserved.  
 In case of consideration for using Automotive equipment / device which demand high reliability, kindly contact our sales window correspondents.

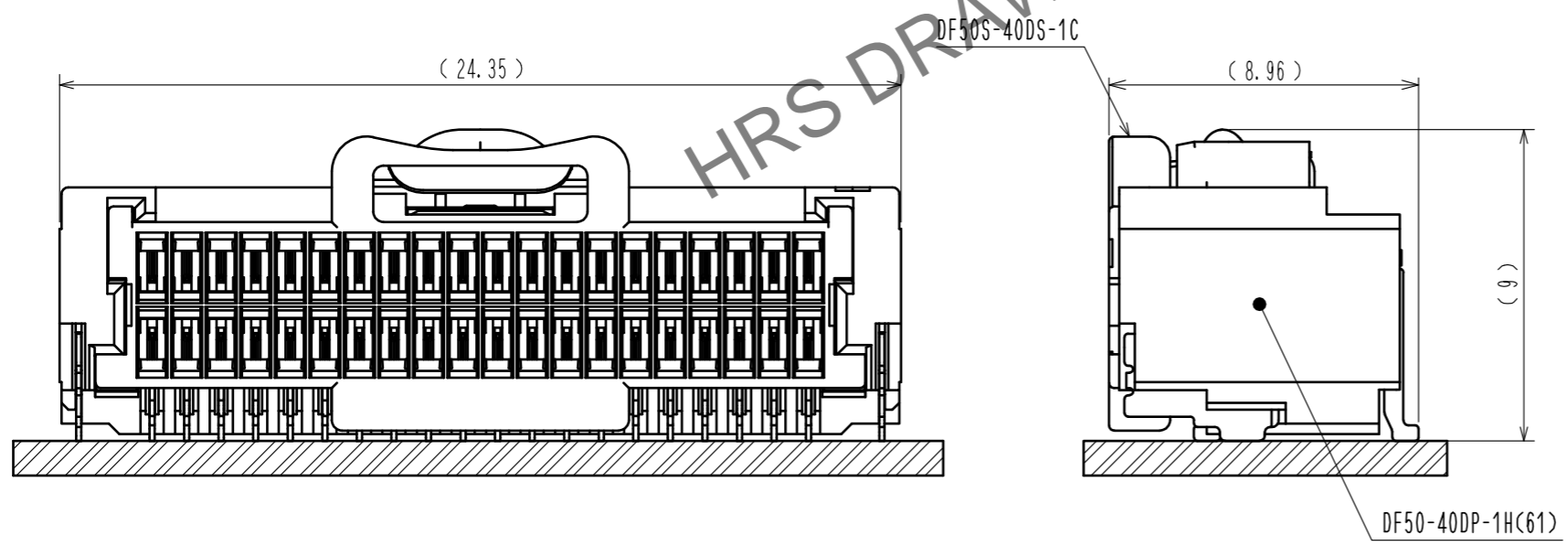
RECOMMENDED PCB LAYOUT  
 (MOUNTING SURFACE SIDE) (FREE)



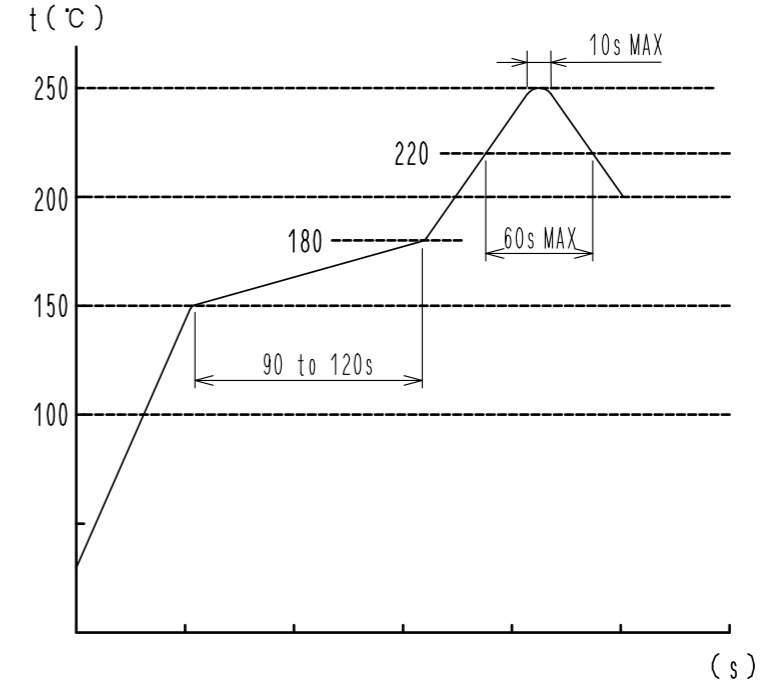
RECOMMENDED METAL MASK (FREE)  
 THICKNESS : 0.1mm  
 OPEN AREA RATIO : 100%



MATING FIGURE (5:1)



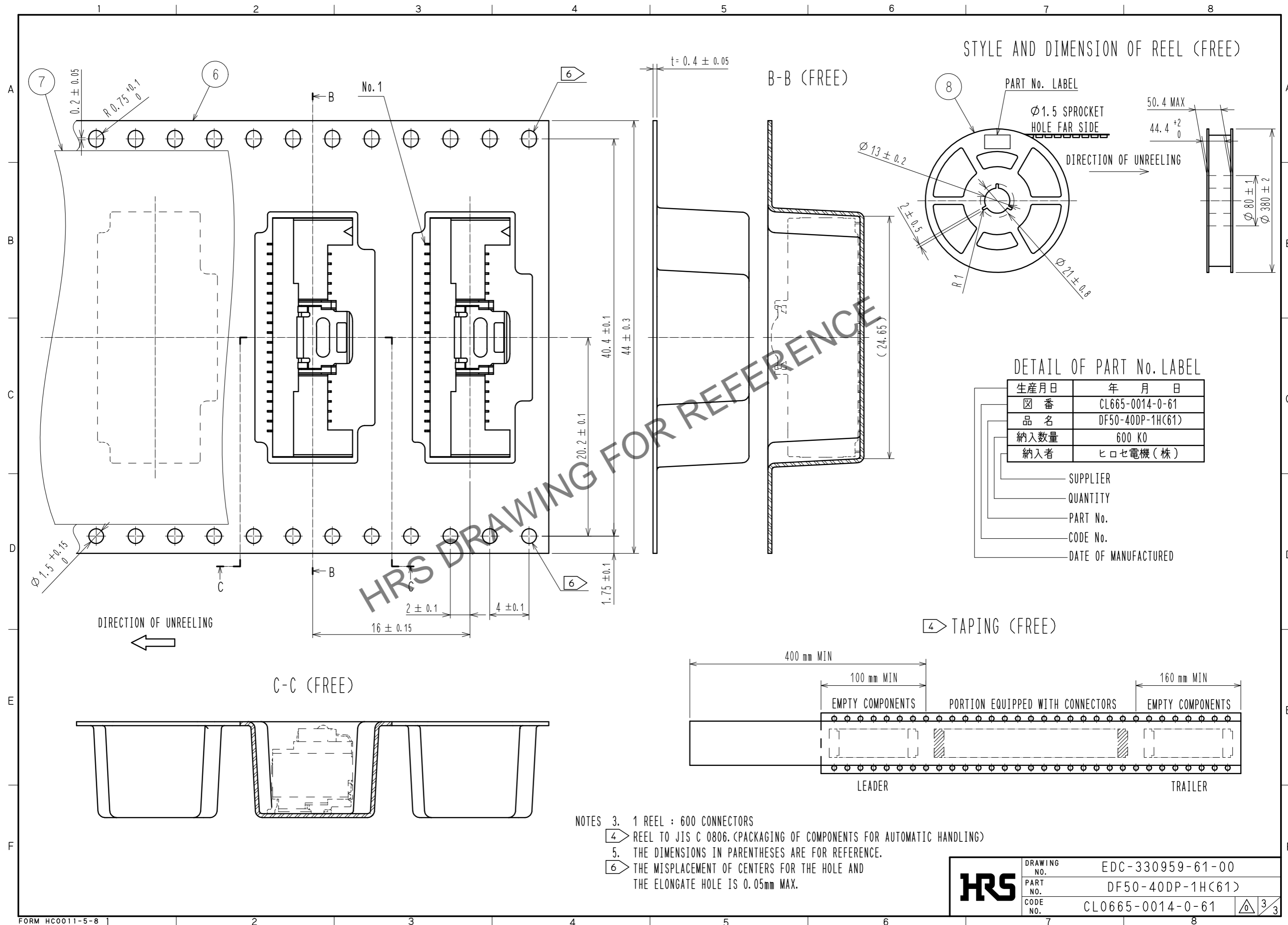
REFLOW TEMPERATURE PROFILE USING LEAD-FREE SOLDER PASTE (REFERENCE)



NUMBER OF REFLOW CYCLES 2 CYCLES MAX.  
 THE TEMPERATURE IS MEASURED IN THE TERMINAL LEAD PART.  
 ADDITIONAL FACTORS, SUCH AS SOLDER PASTE TYPE,  
 PCB SIZE AND OTHER MOUNTED COMPONENTS COULD AFFECT  
 THE PROFILE, THEREFORE, A THOROUGH EVALUATION OF  
 MOUNTING CONDITION IS REQUIRED PRIOR TO PRODUCTION.  
 TEMPERATURE IS MEASURED AT CONTACT LEAD.

<b>HRS</b>	DRAWING NO.	EDC-330959-61-00
	PART NO.	DF50-40DP-1H(61)
	CODE NO.	CL0665-0014-0-61
		2/3

Apr.1.2024 Copyright 2024 HIROSE ELECTRIC CO., LTD. All Rights Reserved.  
 In case of consideration for using Automotive equipment / device which demand high reliability, kindly contact our sales window correspondents.



<b>HRS</b>	DRAWING NO.	EDC-330959-61-00
	PART NO.	DF50-40DP-1H(61)
	CODE NO.	CL0665-0014-0-61
		3/3