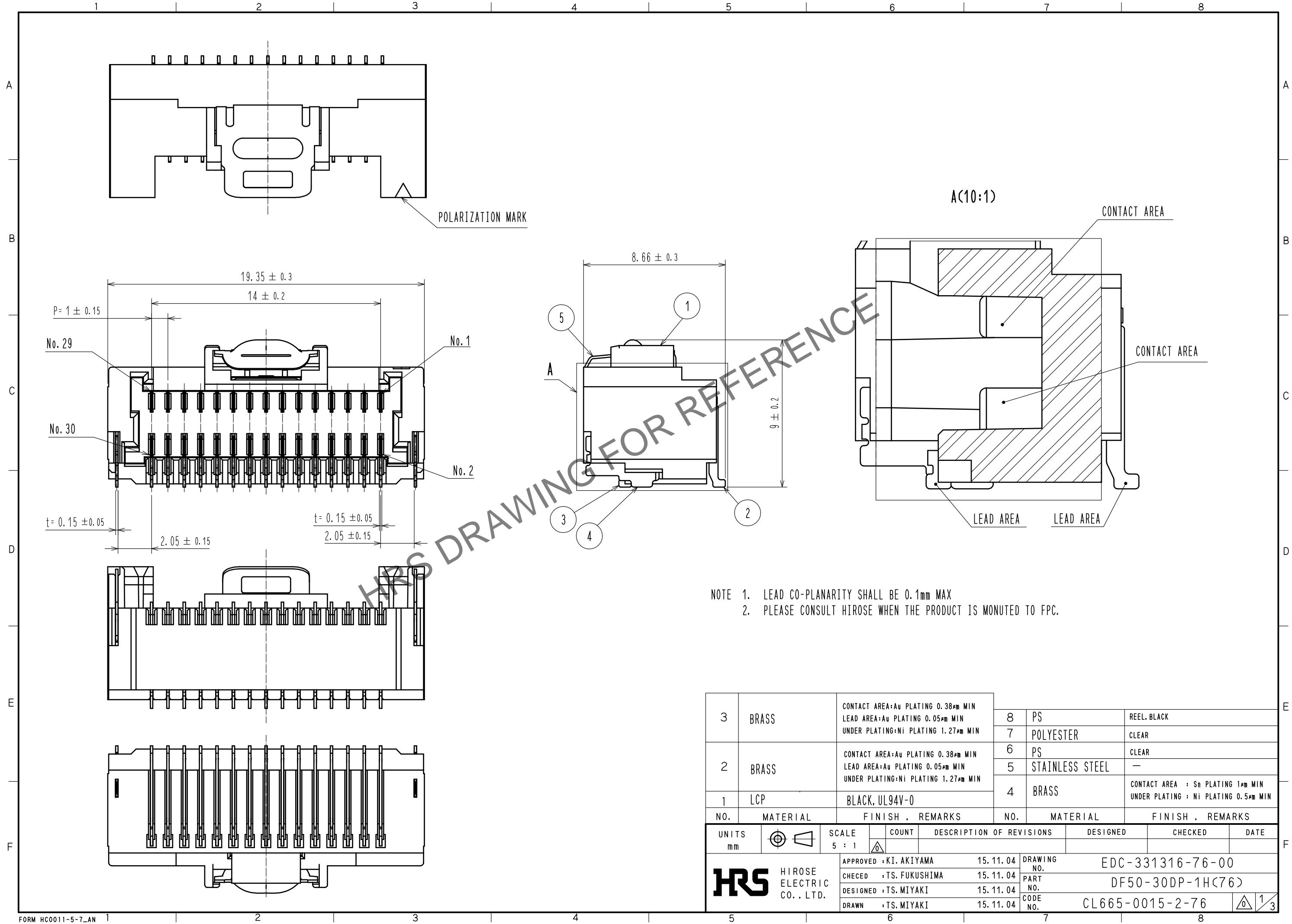


Apr.1.2024 Copyright 2024 HIROSE ELECTRIC CO., LTD. All Rights Reserved.
 In case of consideration for using Automotive equipment / device which demand high reliability, kindly contact our sales window correspondents.



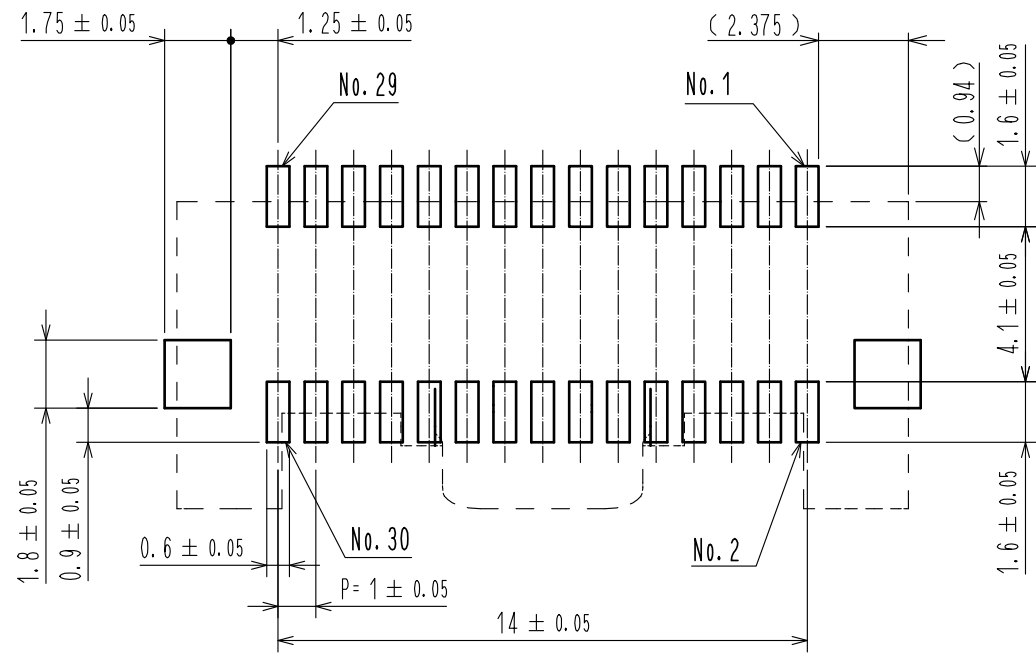
NOTE 1. LEAD CO-PLANARITY SHALL BE 0.1mm MAX
 2. PLEASE CONSULT HIROSE WHEN THE PRODUCT IS MOUNTED TO FPC.

NO.	MATERIAL	FINISH . REMARKS	NO.	MATERIAL	FINISH . REMARKS
3	BRASS	CONTACT AREA: Au PLATING 0.38µm MIN LEAD AREA: Au PLATING 0.05µm MIN UNDER PLATING: Ni PLATING 1.27µm MIN	8	PS	REEL BLACK
2	BRASS	CONTACT AREA: Au PLATING 0.38µm MIN LEAD AREA: Au PLATING 0.05µm MIN UNDER PLATING: Ni PLATING 1.27µm MIN	7	POLYESTER	CLEAR
1	LCP	BLACK, UL94V-0	6	PS	CLEAR
			5	STAINLESS STEEL	—
			4	BRASS	CONTACT AREA : Sn PLATING 1µm MIN UNDER PLATING : Ni PLATING 0.5µm MIN

UNITS	SCALE	COUNT	DESCRIPTION OF REVISIONS	DESIGNED	CHECKED	DATE
mm	5 : 1	△				
APPROVED : KI. AKIYAMA			15.11.04	DRAWING NO. EDC-331316-76-00		
CHECKED : TS. FUKUSHIMA			15.11.04	PART NO. DF50-30DP-1H(76)		
DESIGNED : TS. MIYAKI			15.11.04	CODE NO. CL665-0015-2-76		
DRAWN : TS. MIYAKI			15.11.04	1/3		

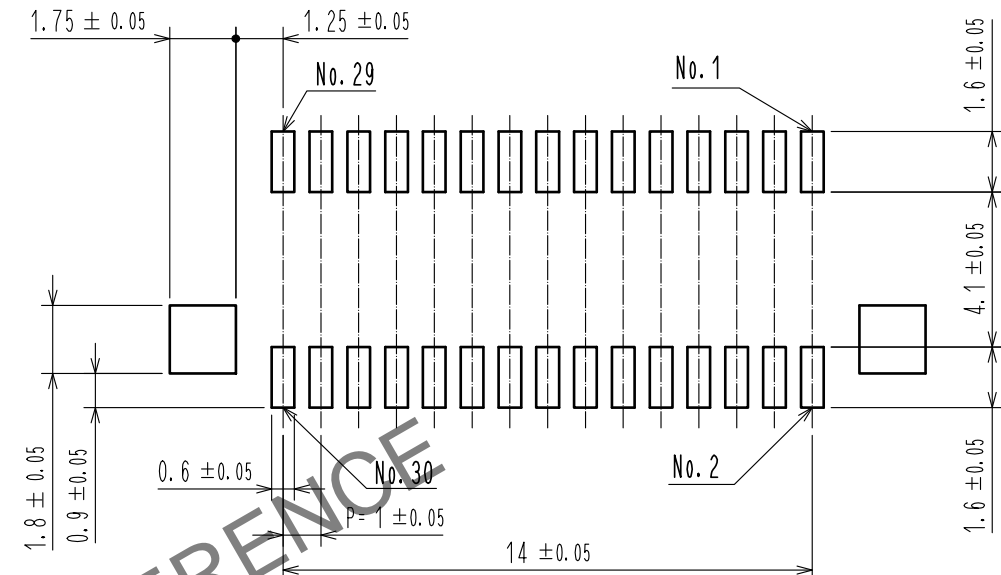
Apr.1.2024 Copyright 2024 HIROSE ELECTRIC CO., LTD. All Rights Reserved.
 In case of consideration for using Automotive equipment / device which demand high reliability, kindly contact our sales window correspondents.

RECOMMENDED PCB LAYOUT
 (MOUNTING SURFACE SIDE) (FREE)

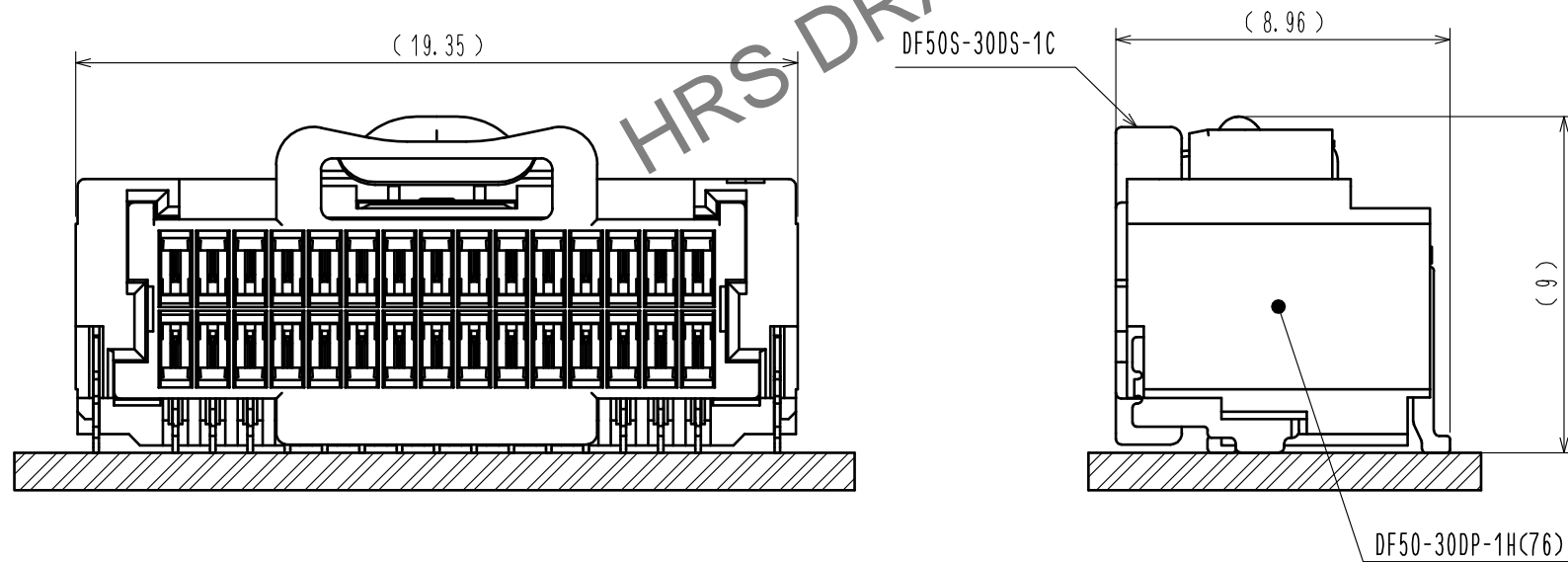


RECOMMENDED METAL MASK (FREE)

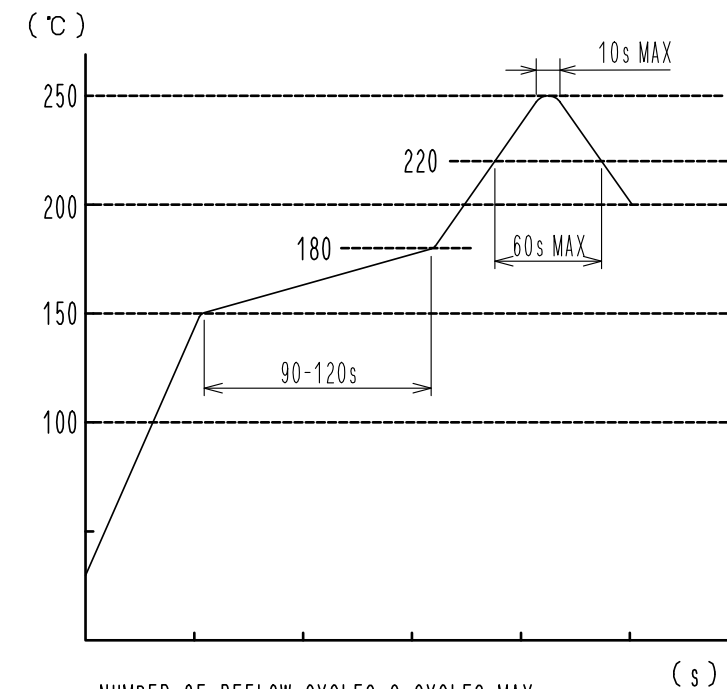
THICKNESS : 0.1mm
 OPEN AREA RATIO:100%



MATING FIGURE (5 : 1)



REFLOW TEMPERATURE PROFILE USING LEAD-FREE SOLDER PASTE (REFERENCE)

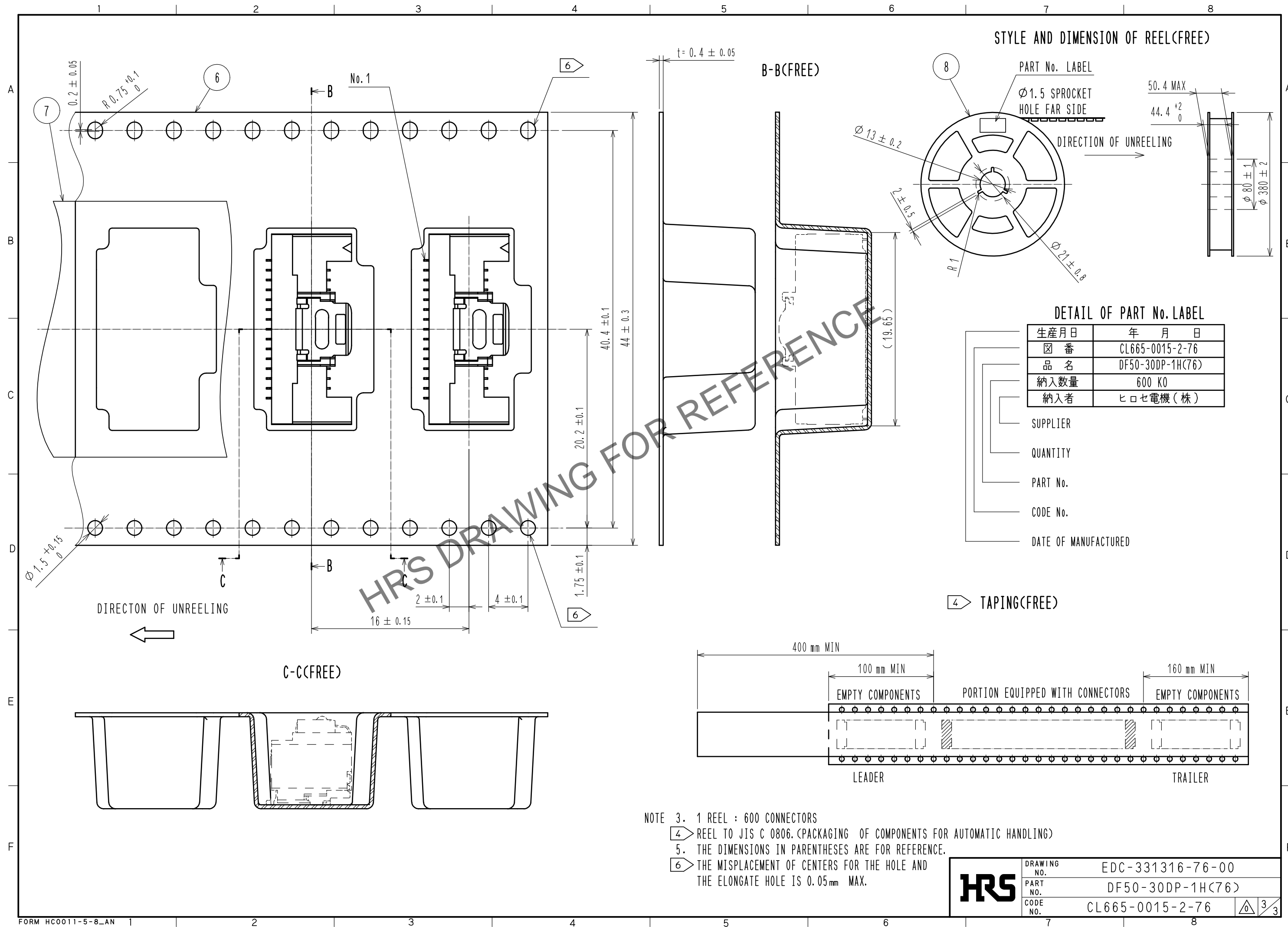


NUMBER OF REFLOW CYCLES 2 CYCLES MAX.
 THE TEMPERATURE IS MEASURED IN THE TERMINAL LEAD PART.

ADDITIONAL FACTORS, SUCH AS SOLDER PASTE TYPE,
 PCB SIZE AND OTHER MOUNTED COMPONENTS COULD AFFECT
 THE PROFILE. THEREFORE, A THOROUGH EVALUATION OF
 MOUNTING CONDITION IS REQUIRED PRIOR TO PRODUCTION.
 TEMPERATURE IS MEASURED AT CONTACT LEAD.

HRS	DRAWING NO.	EDC-331316-76-00
	PART NO.	DF50-30DP-1H(76)
	CODE NO.	CL665-0015-2-76
		2/3

Apr.1.2024 Copyright 2024 HIROSE ELECTRIC CO., LTD. All Rights Reserved.
 In case of consideration for using Automotive equipment / device which demand high reliability, kindly contact our sales window correspondents.



HRS	DRAWING NO.	EDC-331316-76-00
	PART NO.	DF50-30DP-1H(76)
	CODE NO.	CL665-0015-2-76
		3/3