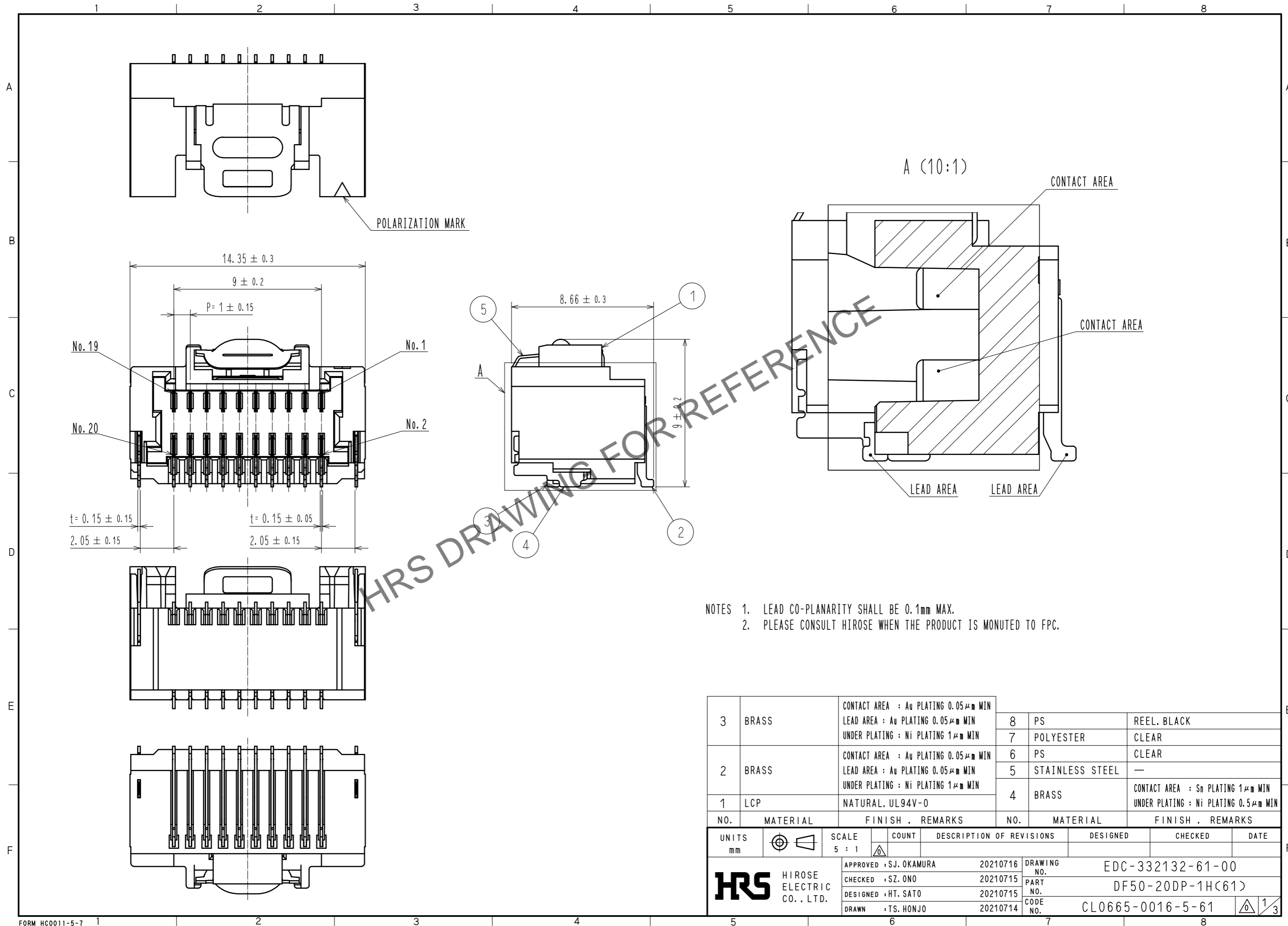


Apr.1.2024 Copyright 2024 HIROSE ELECTRIC CO., LTD. All Rights Reserved.
In case of consideration for using Automotive equipment / device which demand high reliability, kindly contact our sales window correspondents.



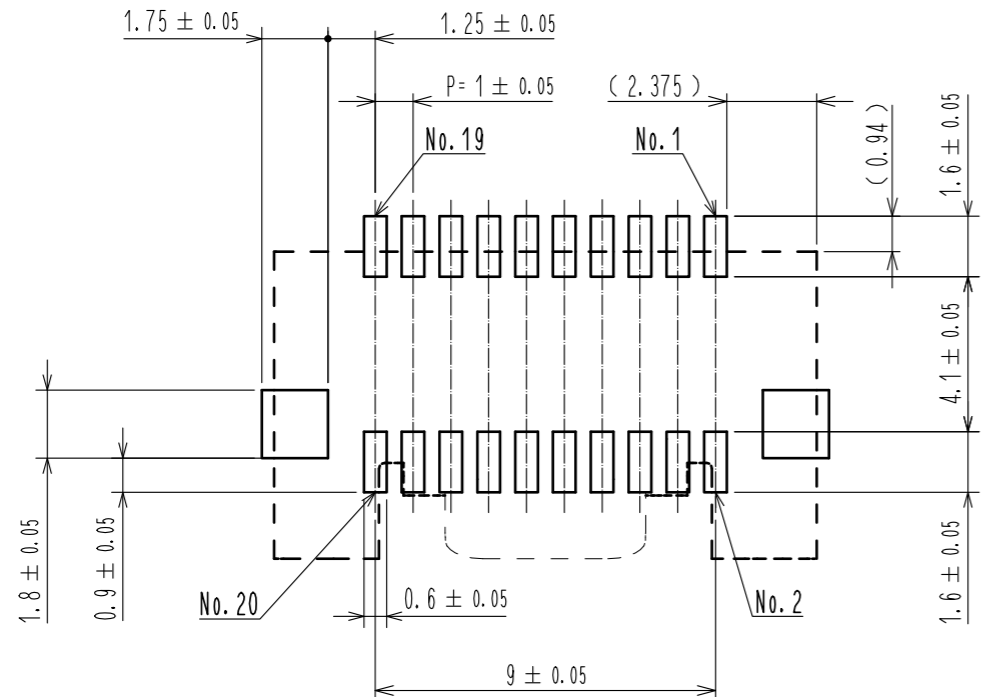
NOTES 1. LEAD CO-PLANARITY SHALL BE 0.1mm MAX.
2. PLEASE CONSULT HIROSE WHEN THE PRODUCT IS MONUTED TO FPC.

NO.	MATERIAL	FINISH . REMARKS	NO.	MATERIAL	FINISH . REMARKS
3	BRASS	CONTACT AREA : Au PLATING 0.05 μ m MIN LEAD AREA : Au PLATING 0.05 μ m MIN UNDER PLATING : Ni PLATING 1 μ m MIN	8	PS	REEL, BLACK
2	BRASS	CONTACT AREA : Au PLATING 0.05 μ m MIN LEAD AREA : Au PLATING 0.05 μ m MIN UNDER PLATING : Ni PLATING 1 μ m MIN	7	POLYESTER	CLEAR
			6	PS	CLEAR
1	LCP	NATURAL, UL94V-0	5	STAINLESS STEEL	—
			4	BRASS	CONTACT AREA : Sn PLATING 1 μ m MIN UNDER PLATING : Ni PLATING 0.5 μ m MIN

UNITS	SCALE	COUNT	DESCRIPTION OF REVISIONS	DESIGNED	CHECKED	DATE
mm	5 : 1	△				
HRS HIROSE ELECTRIC CO., LTD.			APPROVED : SJ. OKAMURA 20210716 CHECKED : SZ. ONO 20210715 DESIGNED : HT. SATO 20210715 DRAWN : TS. HONJO 20210714	DRAWING NO. EDC-332132-61-00 PART NO. DF50-20DP-1H(61) CODE NO. CL0665-0016-5-61		

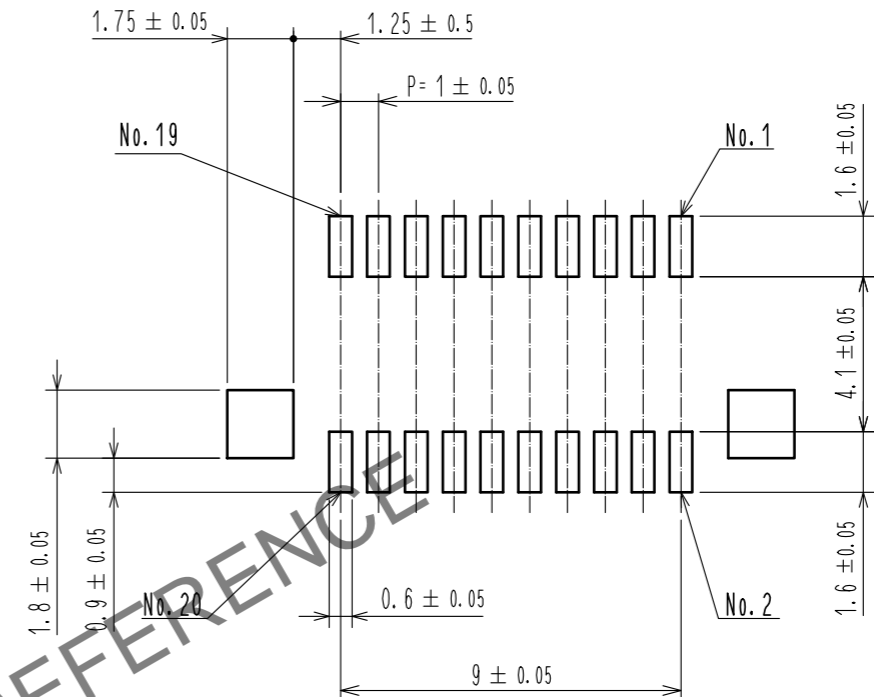
Apr.1.2024 Copyright 2024 HIROSE ELECTRIC CO., LTD. All Rights Reserved.
In case of consideration for using Automotive equipment / device which demand high reliability, kindly contact our sales window correspondents.

RECOMMENDED PCB LAYOUT
(MOUNTING SURFACE SIDE) (FREE)

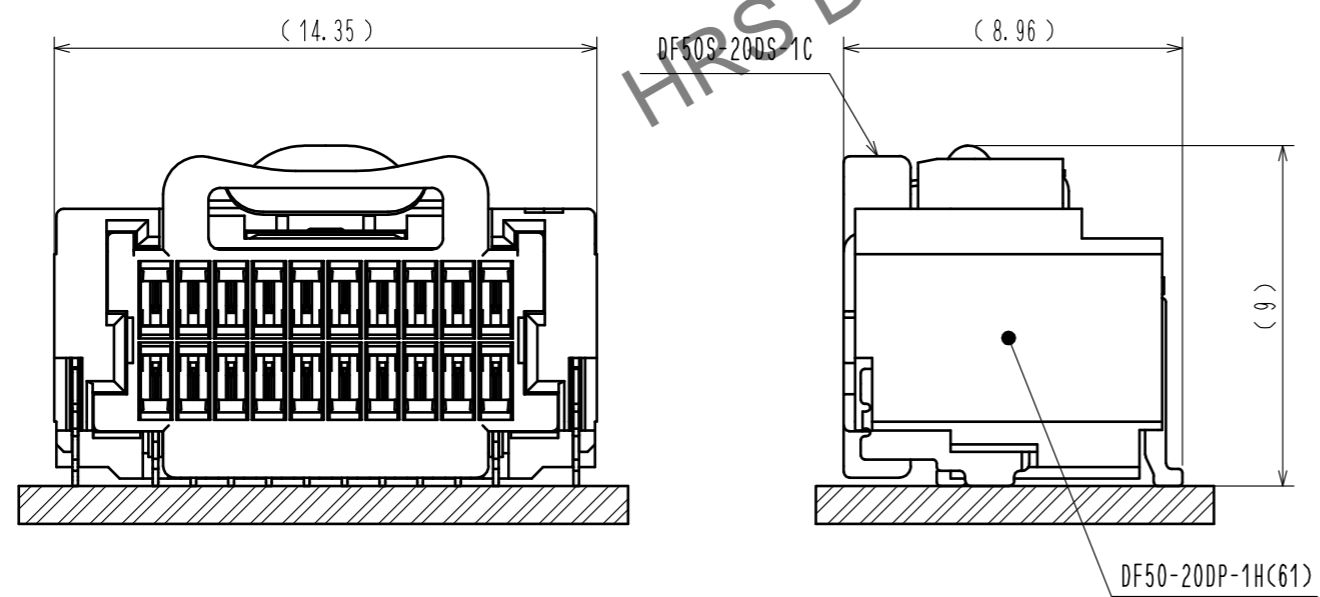


RECOMMENDED METAL MASK (FREE)

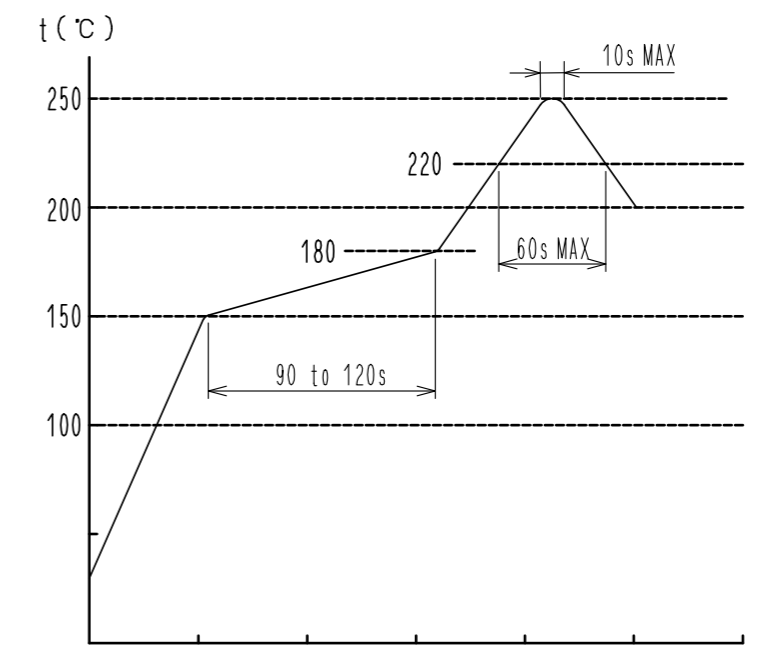
THICKNESS : 0.1mm
OPEN AREA RATIO:100%



MATING FIGURE (5:1)



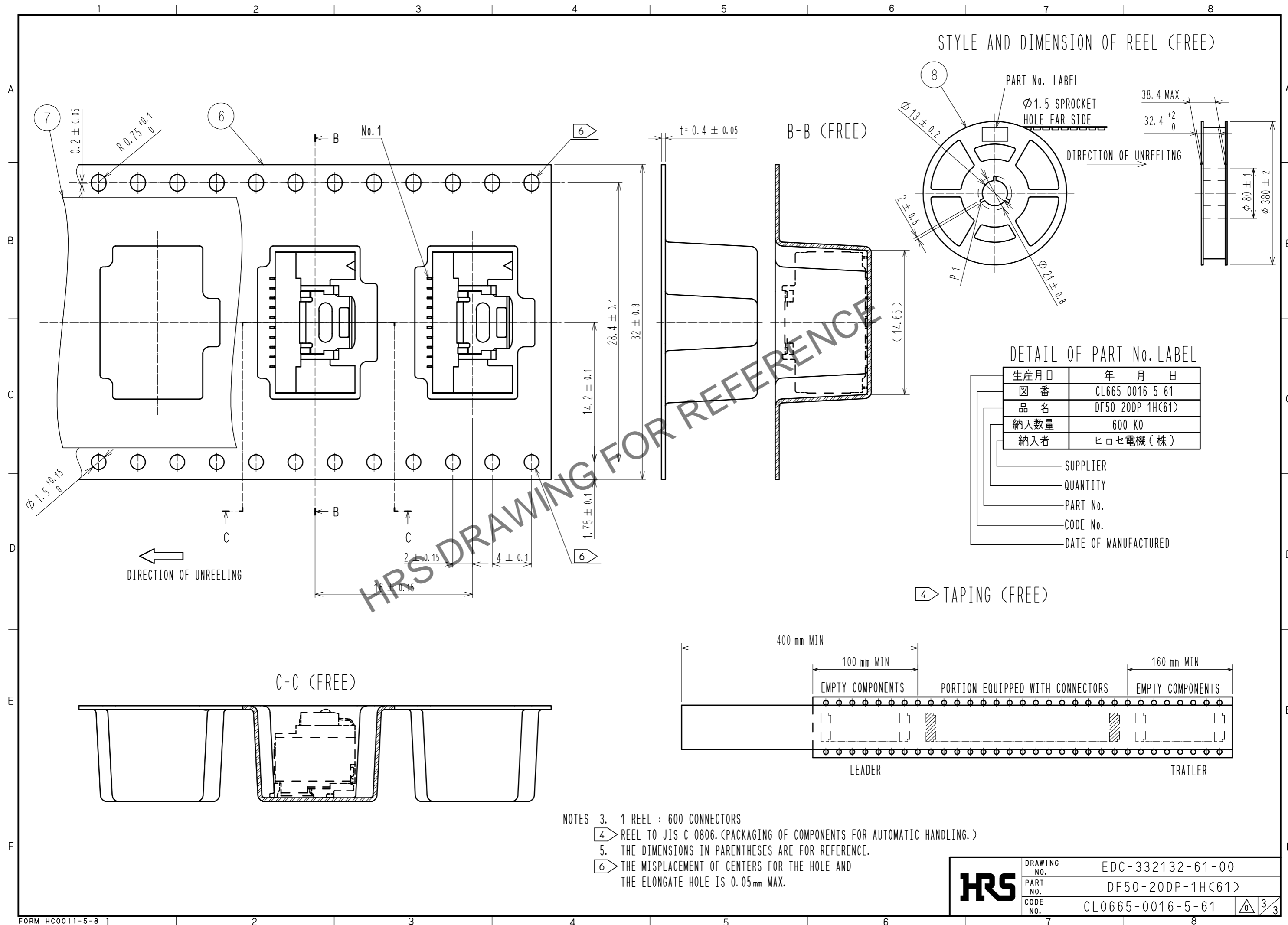
REFLOW TEMPERATURE PROFILE USING LEAD-FREE SOLDER PASTE (REFERENCE)



NUMBER OF REFLOW CYCLES: 2 CYCLES MAX. (s)
THE TEMPERATURE IS MEASURED IN THE TERMINAL LEAD PART.
ADDITIONAL FACTORS, SUCH AS SOLDER PASTE TYPE,
PCB SIZE AND OTHER MOUNTED COMPONENTS COULD AFFECT
THE PROFILE. THEREFORE, A THOROUGH EVALUATION OF
MOUNTING CONDITION IS REQUIRED PRIOR TO PRODUCTION.
TEMPERATURE IS MEASURED AT CONTACT LEAD.

HRS	DRAWING NO.	EDC-332132-61-00
	PART NO.	DF50-20DP-1H(61)
	CODE NO.	CL0665-0016-5-61

Apr.1.2024 Copyright 2024 HIROSE ELECTRIC CO., LTD. All Rights Reserved.
 In case of consideration for using Automotive equipment / device which demand high reliability, kindly contact our sales window correspondents.



HRS	DRAWING NO.	EDC-332132-61-00
	PART NO.	DF50-20DP-1H(61)
	CODE NO.	CL0665-0016-5-61
		3/3