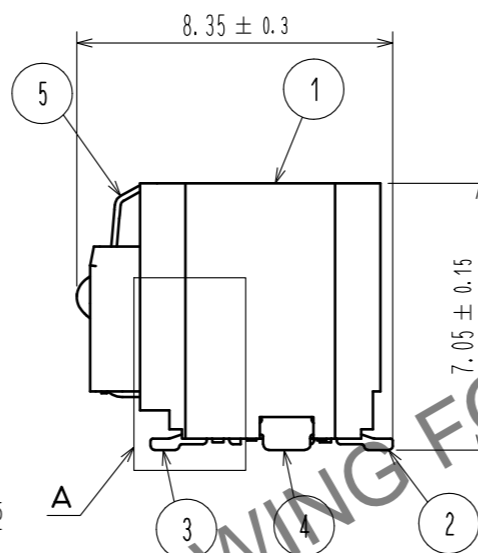
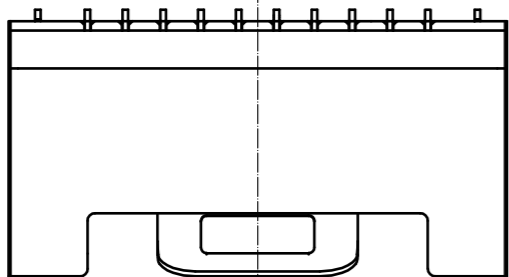
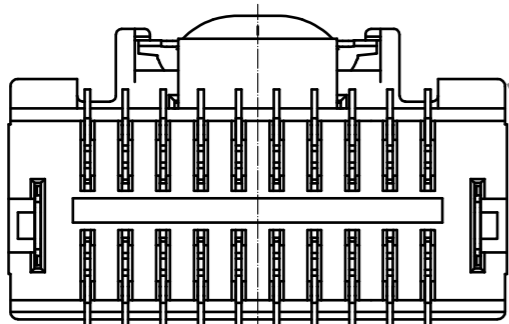
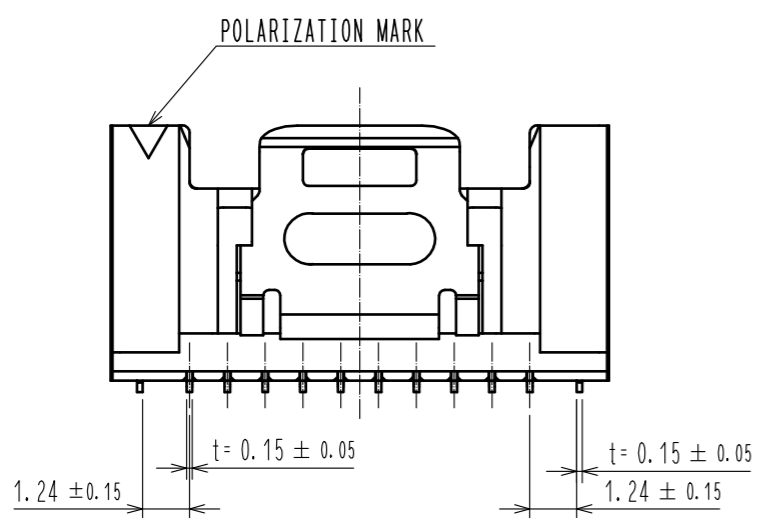
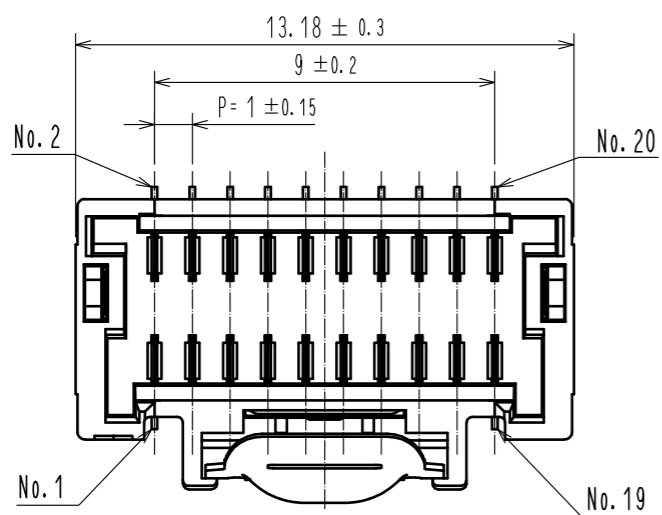
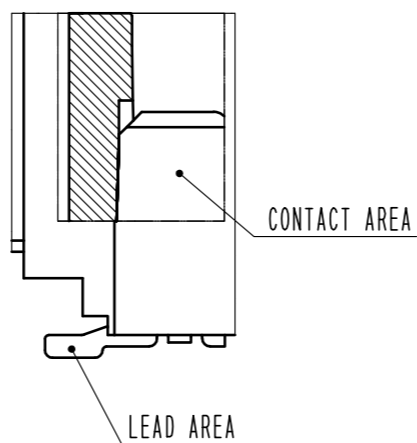


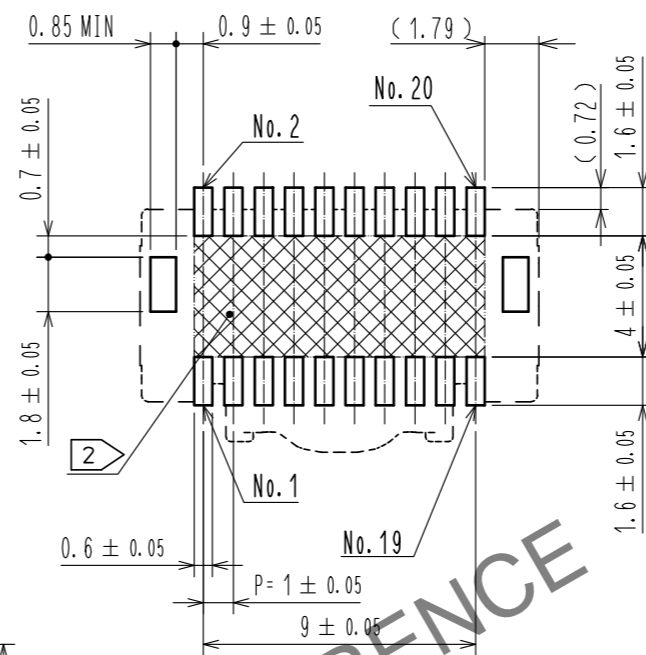
Apr.1.2024 Copyright 2024 HIROSE ELECTRIC CO., LTD. All Rights Reserved.  
In case of consideration for using Automotive equipment / device which demand high reliability, kindly contact our sales window correspondents.



A (10 : 1)

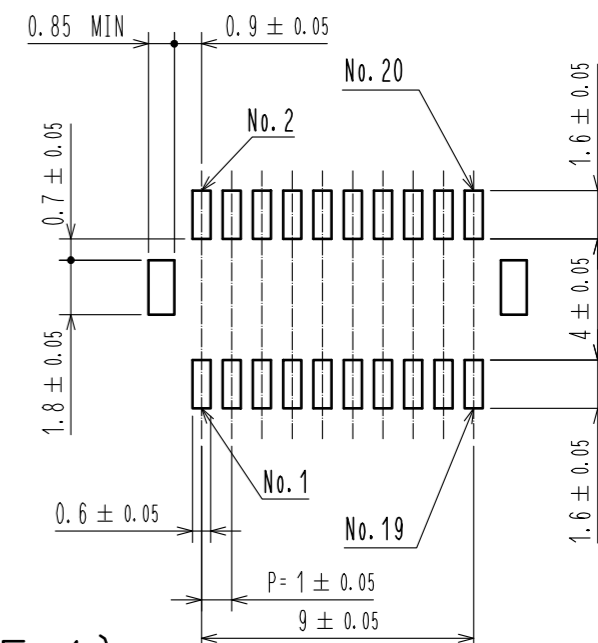


RECOMMENDED PCB LAYOUT  
(MOUNTING SURFACE SIDE) (FREE)

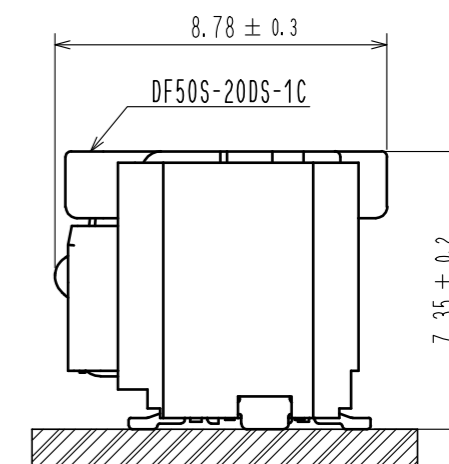
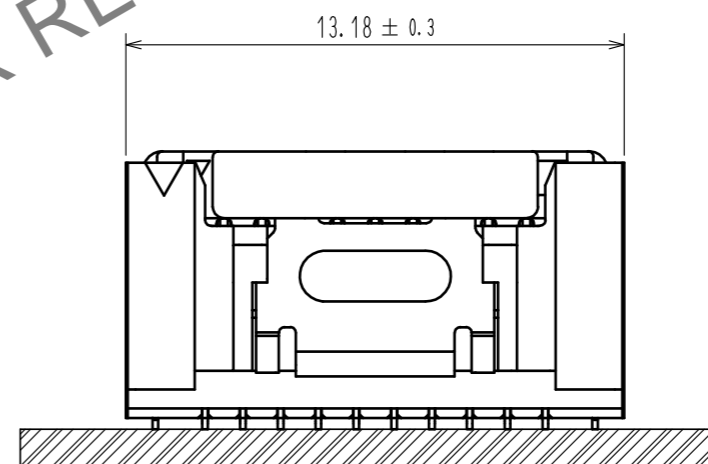


RECOMMENDED METAL MASK(FREE)

THICKNESS : 0.1mm



MATING FIGURE (5 : 1)



- NOTES 1. LEAD CO-PLANARITY SHALL BE 0.1 mm MAX.  
 2. AREA INDICATED MUST BE FREE OF CONDUCTIVE TRACES OR THE CONDUCTIVE TRACES MUST BE COVERED BY RESIST FILM.  
 3. PLEASE CONSULT HIROSE WHEN THE PRODUCT IS MOUNTED TO FPC.

3	BRASS	CONTACT AREA : Au PLATING 0.05μm MIN. LEAD AREA : Au PLATING 0.05μm MIN. UNDERPLATING : Ni PLATING 1μm MIN.	9	POLYAMIDE	VACUUM CAP
2	BRASS	CONTACT AREA : Au PLATING 0.05μm MIN. LEAD AREA : Au PLATING 0.05μm MIN. UNDERPLATING : Ni PLATING 1μm MIN.	8	PS	REEL, BLACK
1	LCP	BLACK, UL94V-0	7	POLYESTER	CLEAR
			6	PS	CLEAR
			5	STAINLESS STEEL	-
			4	BRASS	SURFACE : Sn PLATING 1μm MIN. UNDERPLATING : Ni PLATING 0.5μm MIN.
NO.	MATERIAL	FINISH . REMARKS	NO.	MATERIAL	FINISH . REMARKS

UNITS mm		SCALE FREE	COUNT 1	DESCRIPTION OF REVISIONS DIS-H-00005059	DESIGNED HT. SATO	CHECKED HS. OKAWA	DATE 20190711
<b>HRS</b> HIROSE ELECTRIC CO., LTD.		APPROVED : OM. MIYAMOTO	20120131	DRAWING NO. EDC-339519-52-02		PART NO. DF50-20DP-1V(52)	
		CHECED : OM. MIYAMOTO	20120131	CODE NO. CL665-0019-3-52			
		DESIGNED : TT. OHSAKO	20120131				
		DRAWN : TT. OHSAKO	20120131				

