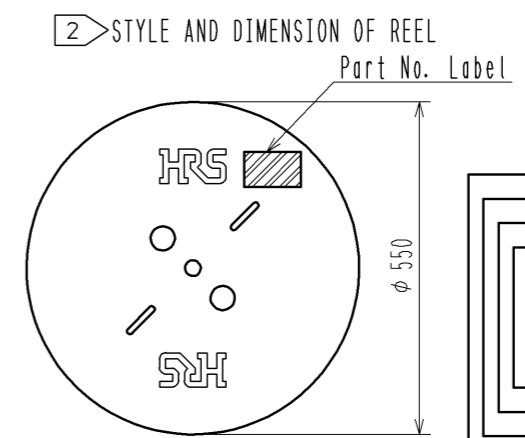
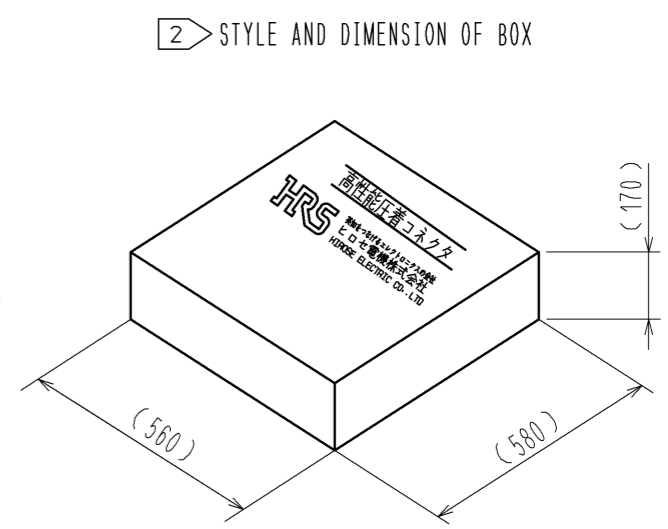
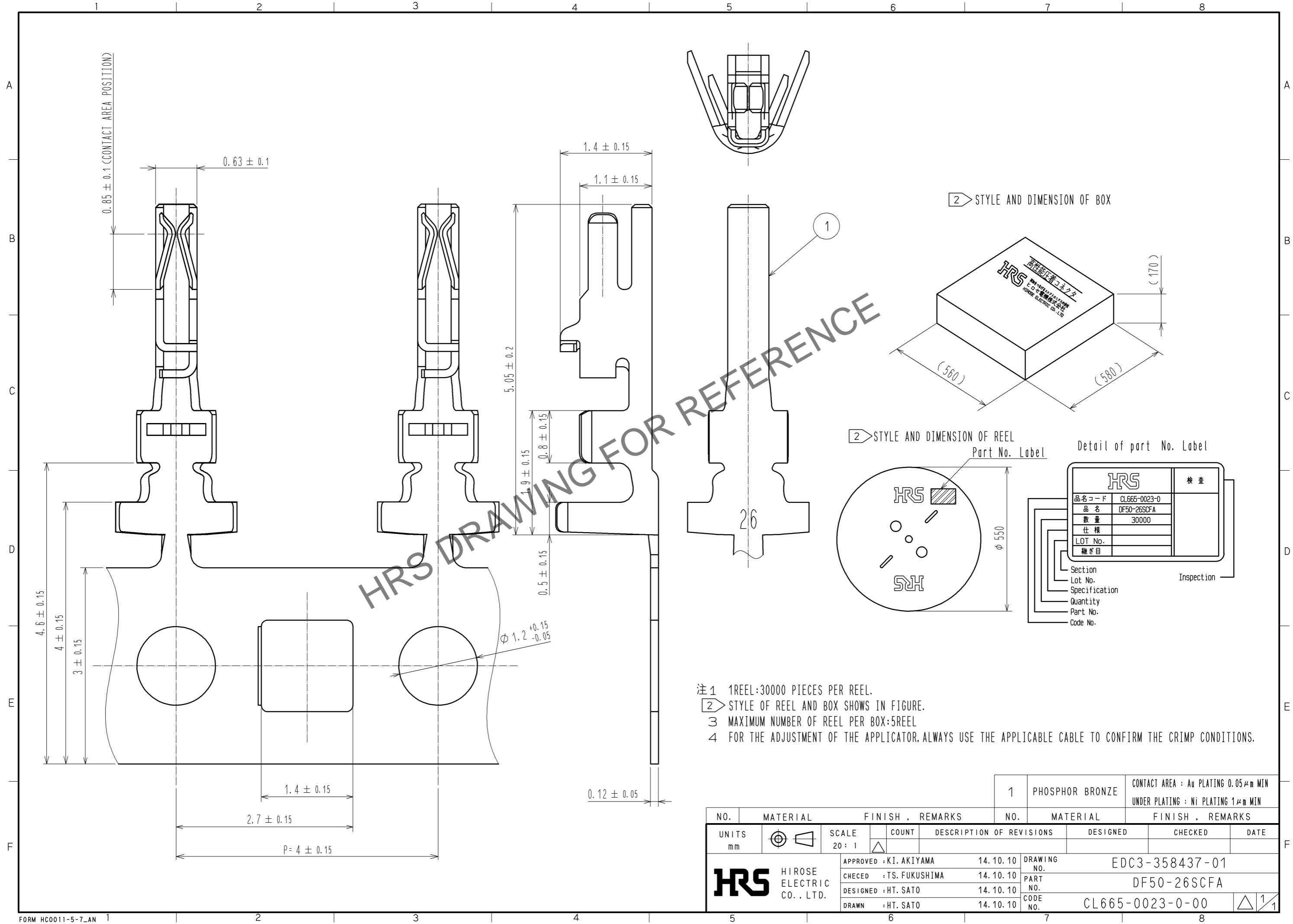


Apr.1.2024 Copyright 2024 HIROSE ELECTRIC CO., LTD. All Rights Reserved.
In case of consideration for using Automotive equipment / device which demand high reliability, kindly contact our sales window correspondents.



Detail of part No. Label

HRS		検査
品名コード	CL665-0023-0	
品名	DF50-26SCFA	
数量	30000	
仕様		
LOT No.		
継ぎ目		
Section		Inspection
Lot No.		
Specification		
Quantity		
Part No.		
Code No.		

- 注1 1REEL:30000 PIECES PER REEL.
 ② STYLE OF REEL AND BOX SHOWS IN FIGURE.
 ③ MAXIMUM NUMBER OF REEL PER BOX:5REEL
 ④ FOR THE ADJUSTMENT OF THE APPLICATOR, ALWAYS USE THE APPLICABLE CABLE TO CONFIRM THE CRIMP CONDITIONS.

NO.	MATERIAL	FINISH . REMARKS	NO.	MATERIAL	FINISH . REMARKS		
			1	PHOSPHOR BRONZE	CONTACT AREA : Au PLATING 0.05μm MIN UNDER PLATING : Ni PLATING 1μm MIN		
UNITS mm		SCALE 20 : 1	COUNT 	DESCRIPTION OF REVISIONS	DESIGNED	CHECKED	DATE
HRS HIROSE ELECTRIC CO., LTD.		APPROVED : KI. AKIYAMA	14. 10. 10	DRAWING NO. EDC3-358437-01			
		CHECED : TS. FUKUSHIMA	14. 10. 10	PART NO. DF50-26SCFA			
		DESIGNED : HT. SATO	14. 10. 10	CODE NO. CL665-0023-0-00			
		DRAWN : HT. SATO	14. 10. 10			1/1	