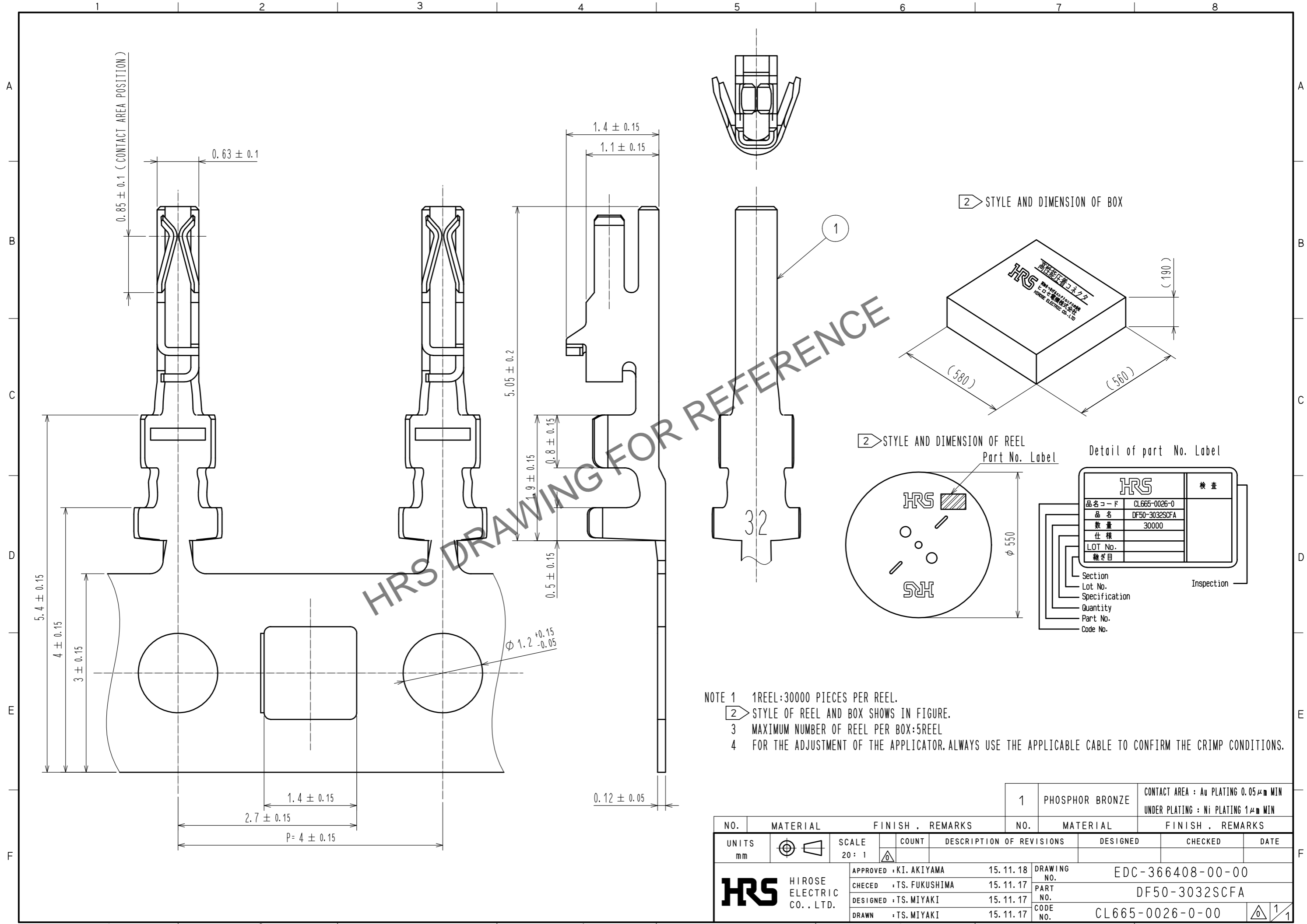
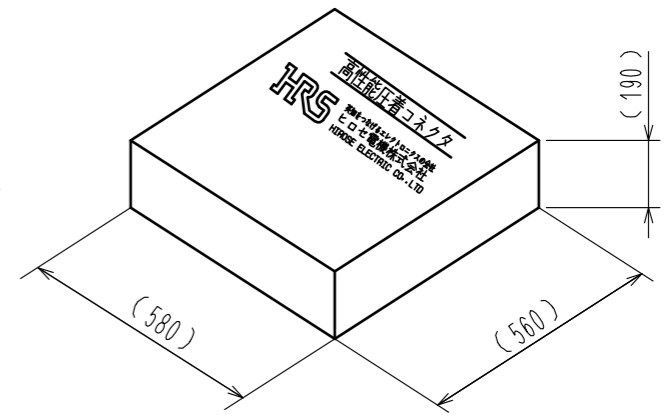


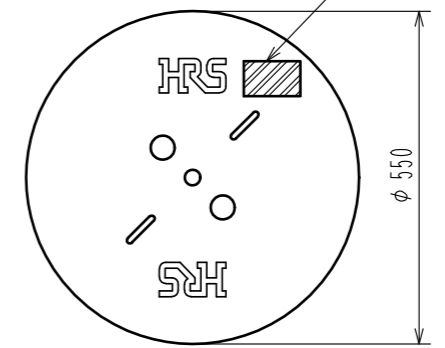
Apr.1.2024 Copyright 2024 HIROSE ELECTRIC CO., LTD. All Rights Reserved.
In case of consideration for using Automotive equipment / device which demand high reliability, kindly contact our sales window correspondents.



2 STYLE AND DIMENSION OF BOX



2 STYLE AND DIMENSION OF REEL



Detail of part No. Label

HRS		検査
品名コード	CL665-0026-0	Section Lot No. Specification Quantity Part No. Code No.
品名	DF50-3032SCFA	
数量	30000	
仕様		
LOT No.		
継ぎ目		検査

- NOTE 1 1REEL:30000 PIECES PER REEL.
 2 STYLE OF REEL AND BOX SHOWS IN FIGURE.
 3 MAXIMUM NUMBER OF REEL PER BOX:5REEL
 4 FOR THE ADJUSTMENT OF THE APPLICATOR, ALWAYS USE THE APPLICABLE CABLE TO CONFIRM THE CRIMP CONDITIONS.

NO.	MATERIAL	FINISH . REMARKS	NO.	MATERIAL	FINISH . REMARKS		
			1	PHOSPHOR BRONZE	CONTACT AREA : Au PLATING 0.05μm MIN UNDER PLATING : Ni PLATING 1μm MIN		
UNITS mm		SCALE 20 : 1	COUNT	DESCRIPTION OF REVISIONS	DESIGNED	CHECKED	DATE
HRS	HIROSE ELECTRIC CO., LTD.	APPROVED : KI. AKIYAMA	15.11.18	DRAWING NO.	EDC-366408-00-00		
		CHECED : TS. FUKUSHIMA	15.11.17	PART NO.	DF50-3032SCFA		
		DESIGNED : TS. MIYAKI	15.11.17	CODE NO.	CL665-0026-0-00		
		DRAWN : TS. MIYAKI	15.11.17		1/1		