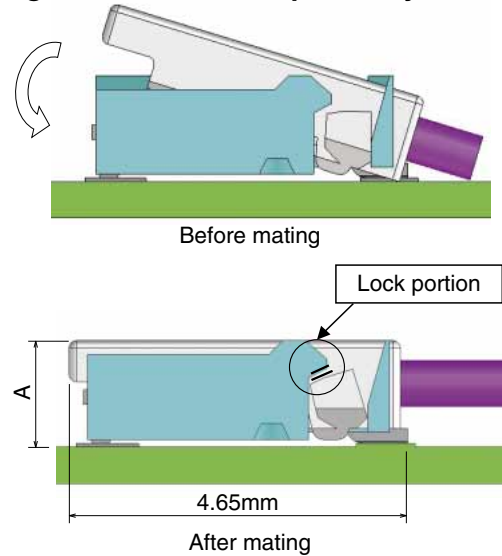


Swing-Lock Structure explanatory drawing



Mating Height A : DF57H 1.4mm
DF57AH 1.6mm

Fig.1

Features

1.Reinforced lock structure with swing lock

A swing-lock structure, featuring our own unique connection method, reinforces the lock structure of the electric cable side, with a structure resistant to tough electric cable routing and disengagement of cables under load.

In addition, the connection surface has a guide insertion to facilitate insertability (patented)

2.Header lock improves plug retention

When connecting, the header connector secures the molded-lance. Play of molded lance is prevented for added strength. (patented)

3.Highly reliable contact structure

Despite the low-profile design, with a stacking height of 1.4mm, an effective mating length of 0.42mm is achieved. The structure features two-point contact terminal geometry with high contact reliability.

4.Insert guide key prevents misalignment

Insert guide key guides the crimp socket to the correct mating position and prevents misalignment, which improves mating operation and prevents possible connector breakage with incorrect mating.

5.Solder wicking prevention

The integral molding eliminates any gap between the terminals and case to prevent solder wicking.

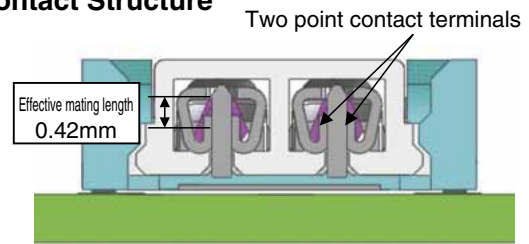
6.Case disengagement prevention

Reinforcing hardware (metal fittings) are integrated in the molding, which help prevent the case from disengaging with the terminals due to tough electric cable routing and load.

7.Cost effective

Terminals and metal fittings are collectively integrated into the molding to reduce assembly cost.

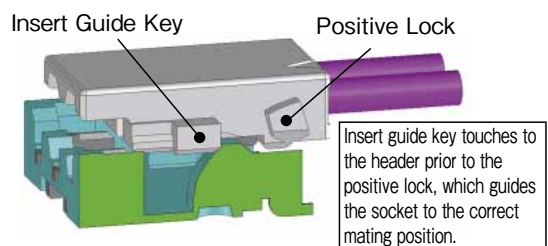
Contact Structure



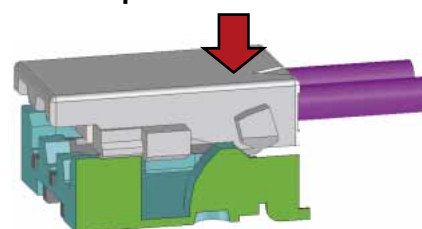
Cross-sectional view of the contact surface

Fig.2

Incorrect Positioning



Starts mating after the socket is aligned to the correct position



Insert Guide Key Structure

Fig.3

Specifications

| Rating | Current rating (Note 1) | | 2pos. | 3pos. | 4pos. | 5,6pos. | Operating temperature range -35°C to 85°C (Note 2) Operating humidity range 20% to 80% (Note 3) |
|----------------|--|----------|----------|----------|----------|--|--|
| | | AWG#26 | 3.0A/pin | — | 1.5A/pin | 1.5A/pin | |
| | | AWG#28 | 2.5A/pin | 2.0A/pin | 1.5A/pin | | |
| | | AWG#30 | 1.5A/pin | | 1.0A/pin | | |
| | | AWG#32 | 1.0A/pin | | 0.8A/pin | | |
| | AWG#34 | 0.8A/pin | | 0.5A/pin | | | |
| Voltage rating | 2 to 6 pos. : 50V AC/DC 2 pos. (Middle pin of 3 pos. is removed) : 100V AC/DC | | | | | Storage temperature range -10°C to 60°C (Note 4) Storage humidity range 40% to 70% (Note 4) | |

| UL, C-UL certified specifications | | | | | | | |
|-----------------------------------|----------------------------|----------|----------|----------|----------|----------|--|
| Rating | Current rating (Note 1) | | 2pos. | 3pos. | 4pos. | 5,6pos. | |
| | | AWG#26 | 3.0A/pin | — | 1.5A/pin | 1.5A/pin | |
| | | AWG#28 | 2.5A/pin | 2.0A/pin | 1.5A/pin | | |
| | | AWG#30 | 1.5A/pin | | 1.0A/pin | | |
| | | AWG#32 | 1.0A/pin | | 0.8A/pin | | |
| | AWG#34 | 0.8A/pin | | 0.5A/pin | | | |
| Voltage rating | 2 - 6 pos. : 29V AC/DC | | | | | | |

| Item | Specification | Conditions |
|---------------------------------|--|--|
| 1. Insulation resistance | 100MΩ min. | 100V DC |
| 2. Withstanding voltage | No flashover or insulation breakdown | 500V AC / 1 minute |
| 3. Contact resistance | 10mΩ max. | 20mV max., at 1mA. |
| 4. Vibration | No electrical discontinuity of 1μs or longer No damage, cracks or parts dislocation. | Frequency : 10 to 55Hz, single amplitude of 0.75mm, 10 cycles, 3 direction |
| 5. Shock | No electrical discontinuity of 1μs or longer No damage, cracks or parts dislocation. | Acceleration of 490m/s ² , 11ms duration, sine half-wave, 3 cycles in each of the 3 axis |
| 6. Humidity | Contact resistance : 20mΩ max., Insulation resistance : 500MΩ min. No damage, cracks or parts dislocation. | 96 hours at 40 ±2°C, and humidity of 90 to 95% |
| 7. Temperature cycle | Contact resistance : 20mΩ max., Insulation resistance : 500MΩ min. No damage, cracks or parts dislocation. | -55°C → 5 to 35°C → 85°C → 5 to 35°C Times : 30 min. → 2 min. → 3 min. → 30 min. → 2 min. to 3 min. 5 cycles |
| 8. Durability | Contact resistance : 20mΩ max., No damage, cracks or parts dislocation. | 30 cycles |
| 9. Resistance to soldering heat | No deformation of components affecting performance | Reflow : At the recommended temperature profile Manual soldering : 350°C for 3 seconds |

Note 1 : This is the maximum current rating while all pins are powered or used as all power lines. When isolating power lines into multiple circuits, current ratings may go above the stated current ratings. Please consult Hirose for specific details before doing this.

Note 2 : Includes the temperature rise of power lines.

Note 3 : The connector should be completely dry. (no condensation present)

Note 4 : The term “storage” refers to the long-term storage condition of unused products before PCB mounting. The operating temperature and humidity ranges are applied while in a non-energized state, while in transport or after PCB mounting.

Note 5 : Information contained in this catalog represents general requirements for this Series.

Please contact us for the drawings and specifications for a specific part number shown.

Material / Finish

| Item | Component | Material | Finish | UL Flammability rating | RoHS2 |
|----------------|-----------|-----------------|-----------------------------|------------------------|-------|
| Header | Insulator | LCP | Black | UL94V-0 | YES |
| | | | Beige | | |
| | Contact | Brass | Tin plating or gold plating | — | YES |
| Crimp socket | Insulator | PBT | White | UL94V-0 | YES |
| | | | Black | | |
| | | LCP | Beige | | |
| | | | Black | | |
| Crimp contacts | Contact | Phosphor bronze | Tin plating or gold plating | — | YES |

■ Product Number Structure

Refer to the chart below when determining the product specifications from the product number.
Please select from the product numbers listed in this catalog when placing orders.

● Header

DF **57** **H** - ***** **P** - **1.2** **V**
 ① ② ③ ④ ⑤ ⑥ ⑦

| | |
|--------------------------------------|---|
| ① Series name : DF | ⑤ Connector type P : Plug |
| ② Series No. : 57 | ⑥ Contact pitch : 1.2mm |
| ③ Insert guide key H : Yes | |
| ④ Number of contacts : 2, 3, 4, 5, 6 | ⑦ Termination section V : Straight SMT |

DF **57** **H** - **2** **P** - **2.4** **V**
 ④ ⑥

| | |
|--------------------------|--|
| ④ Number of contacts : 2 | ⑥ Contact pitch : 2.4mm (Middle pin of 3 pos. is removed, and rated voltage is 100 V) |
|--------------------------|--|

● Socket

DF **57** **H** - ***** **S** - **1.2** **C**
 ① ② ③ ④ ⑤ ⑥ ⑦ ⑧

| | |
|--|---|
| ① Series name : DF | ⑤ Number of contacts : 2, 3, 4, 5, 6 |
| ② Series No. : 57 | ⑥ Connector type S : Crimp socket |
| ③ Applicable wire size : Blank : 28 to 34 AWG | ⑦ Contact pitch : 1.2mm |
| ④ Insert guide key H : Yes | |
| | ⑧ Termination section C : Crimp socket |

DF **57** **A** **H** - ***** **S** - **1.2** **C**
 ③ ⑤

| | |
|--|-----------------------------------|
| ③ Applicable wire size : A : 26 to 28 AWG | ⑤ Number of contacts : 2, 4, 5, 6 |
|--|-----------------------------------|

● Crimp contact

DF **57** - **2830** **SCF** **A**
 ① ② ③

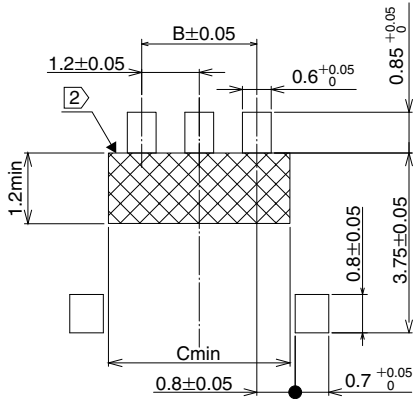
| | |
|---|---|
| ① Applicable wire size : 2628 : 26 to 28 AWG 2830 : 28 to 30 AWG 3234 : 32 to 34 AWG | ② Packaging SCF : SCF : Female crimp contact / reel |
| | ③ Plating type Blank : Tin plating A : Gold plating |

Mar.1.2025 Copyright 2025 HIROSE ELECTRIC CO., LTD. All Rights Reserved.

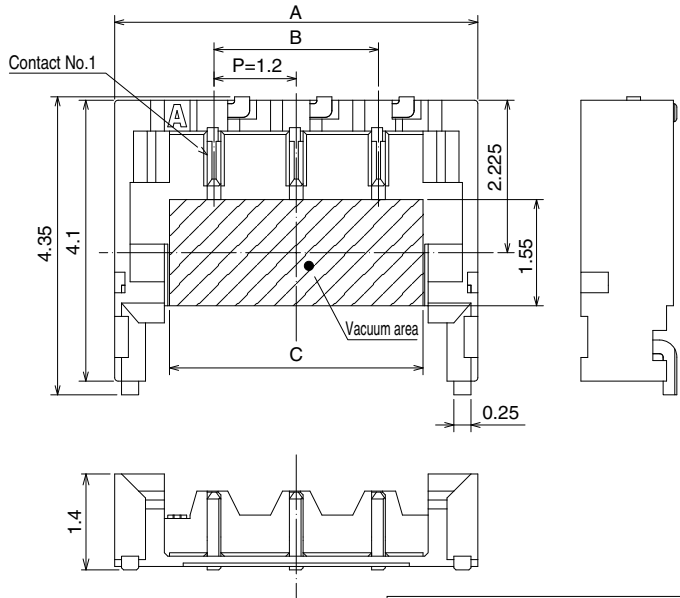
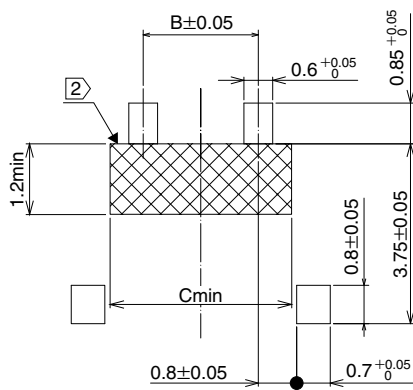
Header(SMT)



Recommended PCB layout (Thickness : 1.0mm)



Recommended PCB layout (Thickness : 1.0mm)



[Specification number] **
 (21) : Tin plated, color : black
 (23) : Tin plated, color : beige
 (51) : Gold plated, color : black

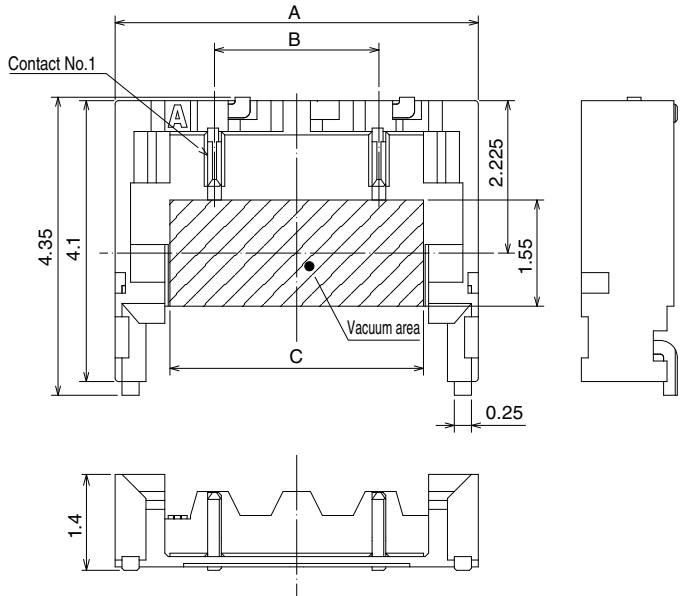
Unit : mm

| Part No. | HRS No. | No. of Pos. | A | B | C | Specification No. (Note 3) | | |
|-------------------|---------------|-------------|-----|-----|-----|----------------------------|------|------|
| | | | | | | (21) | (23) | (51) |
| DF57H-2P-1.2V(**) | 666-0104-7 ** | 2 | 4.1 | 1.2 | 2.5 | ✓ | ✓ | ✓ |
| DF57H-3P-1.2V(**) | 666-0105-0 ** | 3 | 5.3 | 2.4 | 3.7 | ✓ | ✓ | ✓ |
| DF57H-4P-1.2V(**) | 666-0106-2 ** | 4 | 6.5 | 3.6 | 4.9 | ✓ | ✓ | ✓ |
| DF57H-5P-1.2V(**) | 666-0107-5 ** | 5 | 7.7 | 4.8 | 6.1 | ✓ | ✓ | ✓ |
| DF57H-6P-1.2V(**) | 666-0108-8 ** | 6 | 8.9 | 6.0 | 7.3 | ✓ | ✓ | ✓ |

Note 1 : Embossed tape reel packaging (5,000 pcs/reel).

Note 2 : The crossed-shaded area is a no conductive trace area.

Note 3 : For items whose specification number is blank, please contact a Hirose sales representative.



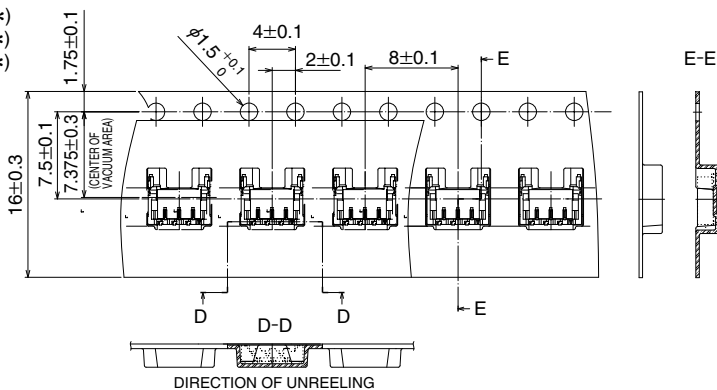
Unit : mm

| Part No. | HRS No. | No. of Pos. | A | B | C | Specification No. | |
|-------------------|---------------|-------------|-----|-----|-----|-------------------|------|
| | | | | | | (21) | (23) |
| DF57H-2P-2.4V(**) | 666-0109-0 ** | 2 | 5.4 | 2.4 | 3.7 | ✓ | ✓ |

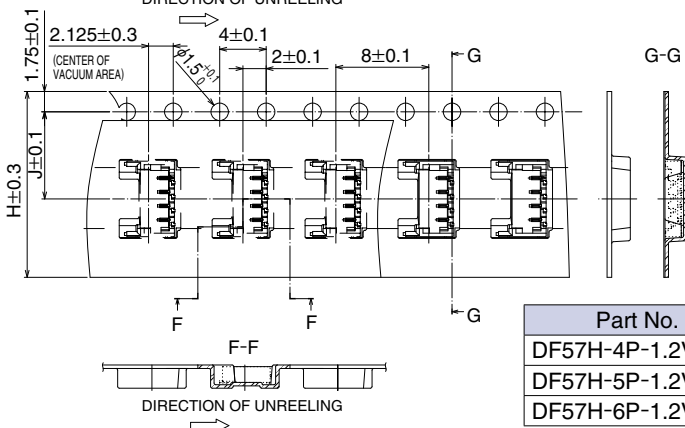
[Specification number] **
 (21) : Tin plated, color : black
 (23) : Tin plated, color : beige

●Packaging Specification

DF57H-2P-1.2V(**)
 DF57H-3P-1.2V(**)
 DF57H-2P-2.4V(**)



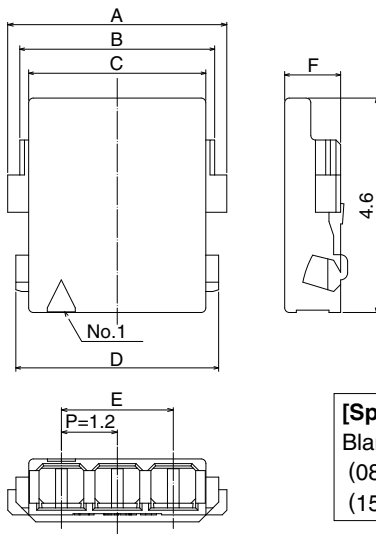
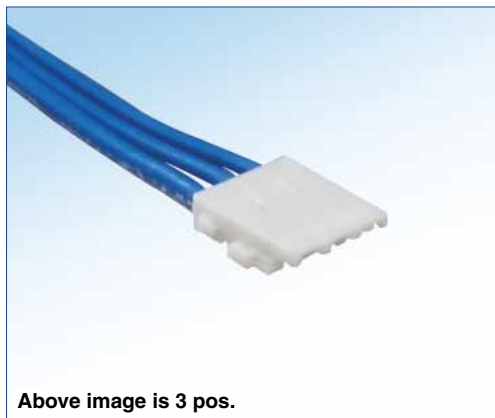
DF57H-4P-1.2V(**)
 DF57H-5P-1.2V(**)
 DF57H-6P-1.2V(**)



Unit : mm

| Part No. | No. of contacts | H | J |
|-------------------|-----------------|----|------|
| DF57H-4P-1.2V(**) | 4 | 16 | 7.5 |
| DF57H-5P-1.2V(**) | 5 | 16 | 7.5 |
| DF57H-6P-1.2V(**) | 6 | 24 | 11.5 |

■Crimp socket



[Specification number] **
 Blank : Material : PBT, color : white
 (08) : Material : LCP, color : beige
 (15) : Material : LCP, color : black

Unit : mm

| Part No. | HRS No. | No. of contacts | A | B | C | D | E | F | Specification No. | | |
|-------------------|---------------|-----------------|-----|------|-----|-----|-----|-----|-------------------|------|------|
| | | | | | | | | | Blank | (08) | (15) |
| DF57H-2S-1.2C(**) | 666-0100-6 ** | 2 | 3.5 | 2.98 | 2.6 | 3.2 | 1.2 | 1.2 | ✓ | ✓ | ✓ |
| DF57H-3S-1.2C(**) | 666-0012-0 ** | 3 | 4.7 | 4.18 | 3.8 | 4.4 | 2.4 | 1.2 | ✓ | ✓ | ✓ |
| DF57H-4S-1.2C(**) | 666-0101-9 ** | 4 | 5.9 | 5.38 | 5.0 | 5.6 | 3.6 | 1.2 | ✓ | ✓ | ✓ |
| DF57H-5S-1.2C(**) | 666-0102-1 ** | 5 | 7.1 | 6.58 | 6.2 | 6.8 | 4.8 | 1.2 | ✓ | ✓ | ✓ |
| DF57H-6S-1.2C(**) | 666-0103-4 ** | 6 | 8.3 | 7.78 | 7.4 | 8.0 | 6.0 | 1.2 | ✓ | ✓ | ✓ |

Note 1 : The quantity is delivered per pack (1,000 pcs.). Order by number of pack.

■Socket for 26 AWG

Unit : mm

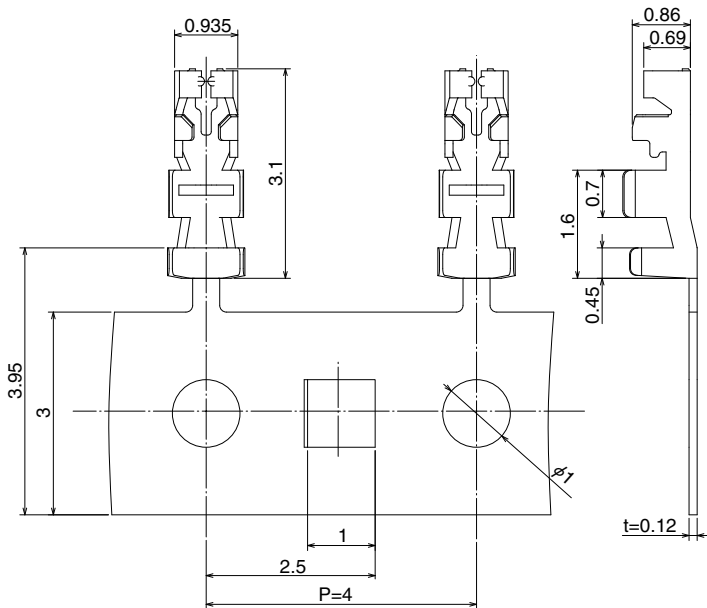
| Part No. | HRS No. | No. of contacts | A | B | C | D | E | F | Specification No. (Note 2) | | |
|--------------------|---------------|-----------------|-----|------|-----|-----|-----|-----|----------------------------|------|------|
| | | | | | | | | | Blank | (10) | (15) |
| DF57AH-2S-1.2C(**) | 666-0112-0 ** | 2 | 3.5 | 2.98 | 2.6 | 3.2 | 1.2 | 1.4 | ✓ | | ✓ |
| DF57AH-4S-1.2C(**) | 666-0113-0 ** | 4 | 5.9 | 5.4 | 5.0 | 5.6 | 3.6 | 1.4 | ✓ | | |
| DF57AH-5S-1.2C(**) | 666-0110-0 ** | 5 | 7.1 | 6.6 | 6.2 | 6.8 | 4.8 | 1.4 | ✓ | ✓ | |
| DF57AH-6S-1.2C(**) | 666-0111-2 ** | 6 | 8.3 | 7.8 | 7.4 | 8.0 | 6.0 | 1.4 | ✓ | ✓ | |

Note 1 : The quantity is delivered per pack (1,000 pcs.). Order by number of pack.

Note 2 : For items whose specification number is blank, please contact a Hirose sales representative.

[Specification number] **
 Blank : Material : PBT, color : black
 (10) : Material : PBT, color : white
 (15) : Material : LCP, color : black

Crimp contact



[Packaging Specification]

Blank : Embossed tape packaging (40,000 pcs/reel)
 (41) : Embossed tape packaging (35,000 pcs/reel)

| Part No. | HRS No. | Packaging | Quantity | Finish | Applicable wire | Applicable socket connector |
|-------------------|---------------|-----------|----------|-------------|-----------------|-----------------------------|
| DF57-2628SCF(41) | 666-0013-3 41 | Reel | 35,000 | Tin plated | 26 to 28 AWG | DF57AH-*S-1.2C(**) |
| DF57-2628SCFA(41) | 666-0033-0 41 | Reel | 35,000 | Gold plated | | |
| DF57-2830SCF | 666-0001-4 | Reel | 40,000 | Tin plated | 28 to 30 AWG | DF57H-*S-1.2C(**) |
| DF57-2830SCFA | 666-0034-3 | Reel | 40,000 | Gold plated | | |
| DF57-3234SCF | 666-0016-1 | Reel | 40,000 | Tin plated | 32 to 34 AWG | |

Note : Embossed tape reel packaging (40,000 pcs/reel).
 Order by number of reels.

Applicable wire (Tin plated annealed copper wire)

| Part No. | Wire size (Stranded wire conductor) | Jacket outer diameter | Recommended cable |
|------------------|-------------------------------------|-----------------------|--|
| DF57-2628SCF(41) | 26 AWG (7/φ0.16mm) | φ0.88mm max. | UL3610 |
| DF57-2628SCFA | 28 AWG (7/φ0.127mm) | | UL1061 |
| DF57-2830SCF | 28 AWG (7/φ0.127mm) | φ0.5mm - φ0.63mm | UL1571 (Thin wire), UL10584 (ETFE wire) |
| DF57-2830SCFA | 30 AWG (7/φ0.102mm) | | |
| DF57-3234SCF | 32 AWG (7/φ0.08mm) | φ0.32mm - φ0.54mm | UL1571 |
| | 34 AWG (Note 2) | | — |

● Strip length 1.0 to 1.4mm

Note 1 : When using other than the recommended wire, please contact a Hirose sales representative.

Note 2 : When using 34 AWG wire, please contact a Hirose sales representative.

Tools

| Type | Part No. | HRS No. | Applicable contact |
|-------------------------|---------------------------|------------|--------------------|
| Applicator | AP105-DF57-2628S | 901-4622-2 | DF57-2628SCF(41) |
| | | | DF57-2628SCFA(41) |
| | AP105-DF57-2830S | 901-4618-5 | DF57-2830SCF |
| | AP105-DF57-2830SA | 901-4645-0 | DF57-2830SCFA |
| | AP105-DF57-3234S | 901-4629-1 | DF57-3234SCF |
| Press | CM-105C | 901-0001-0 | — |
| Hand crimping tool | HT305/DF57-2830HC(Note 2) | 902-4635-0 | DF57-2830SCF |
| Contact extraction tool | DF-C-PO(B) | 550-0179-2 | DF57-****SCF(A) |

Note 1 : Please conduct crimping work according to the table in the Crimp Quality Standard (ETAD-H0404-00).

Note 2 : The compatible wire is limited to UL1571 of thin wire type, 28 to 30 AWG when you use the Hand crimping tool.

Note 3 : Problems with tools other than those specified by Hirose are outside the scope of warranty.

Note 4 : When non-authorized tools are used, please consult with Hirose sales representative about provision of the drawing of the crimping tool.

◆ Crimping Precautions

■ Items required prior to start crimping

The work-related documents shown below are required before starting the harness connections.
(The ● mark shows the document required.)

When the documents shown below are not available, ask our sales personnel to provide them.

| Document Title | Description | Automatic Crimping Machine | Hand Crimping Tool | Remarks |
|--|---|----------------------------|--------------------|---|
| (1) Main unit of crimping machine instruction manual | Explanation of main press machine unit | ● | — | When purchasing main press machine unit, it is bundled. |
| (2) Operating Instructions for Hand Tool | Crimp operation | ● | — | When purchasing Applicator, it is bundled. |
| (3) Applicator Spare Parts Identification | Explanation for Applicator installation | ● | — | |
| (4) Crimp Conditions | Standard values of : Crimp height ; Tensile strength | ● | — | |
| (5) Crimp Quality Standards | Various standards for crimping conditions | ● | — | |
| (6) Operating Instructions for Hand Tool | Inspection items of : Crimp height ; Crimp operation Tensile strength | — | ● | When purchasing Hand Tool, it is bundled. |
| (7) Cable Assembly Procedure | Cable Assembly Procedure | ● | ● | Ask our sales personal to provide them. |

■ Tools

When crimping work is applied to our contacts, the tool designated by Hirose should be used.
Crimping work by using tools other than as designated must not be done because it may result in contact failure, disconnection of cable, etc.

*The operating instructions manual is available for the crimping machine and the applicator.

Be sure to carefully read the operating instructions manual before implementing the work.

■ Applicable electric wires

Check that the electric wire to be used is in the range of application.

If you intend to use an electric wire other than the recommended one, ask our sales personnel.

[Precautions]

- Electric wires that are applicable for crimping connectors shall, principally, be the tin-plated stranded soft-copper wire.
- Crimping of electric wires wherein single wires, polyester yarns, etc., exist and crimping of tin-coated wires should be avoided.
- Avoid crimping two electric wires together.
- The setting values of crimp height (Note 1) may vary between tin-plated and gold-plated terminals even if the same electric wires are used.
- The setting values of crimp height (Note 1) may vary depending on the difference in the core wire configuration even if the computed cross-sectional area is the same.

Note 1 : The crimp height is an important item that determines crimping quality. We execute crimping tests for each electric wire to ensure the optimal value for the crimp height with high precision, thereby ensuring optimal setup values.

Handling Points

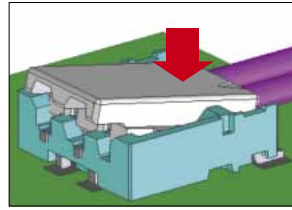
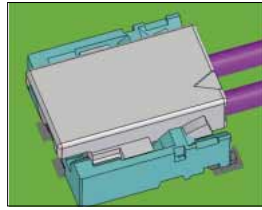
| | |
|--|---|
| <p>1.Recommended temperature profile</p> | <p>The temperature profiles are based on the above conditions. In individual applications the actual temperature may vary, depending on solder paste type, volume/ thickness and board size/thickness. Consult your solder paste and equipment manufacturer for specific recommendations.</p> |
| <p>2.Recommended manual soldering</p> | <p>Manual soldering : 350°C ± 10°C for 3 seconds</p> |
| <p>3.Recommended screen thickness and open area ratio (Pattern area ratio)</p> | <p>Thickness : 0.1mm Open area ratio : 100%</p> |
| <p>4.Board warpage</p> | <p>Maximum of 0.02mm at the connector center, with both ends of the connector as reference points.</p> |
| <p>5.Cleaning conditions</p> | <p>Cleaning is not recommended. When cleaning, please evaluate as if can deteriorate the performance including mechanical operation and environmental resistance.</p> |
| <p>6.Precautions</p> | <ul style="list-style-type: none"> ■When inserting crimp-type (solderless) terminals to crimping (solderless) sockets, to maintain reliable performance, please do not insert obliquely. ■DO NOT mate/un-mate non-terminated plugs with non-mounted receptacles. This may lead to damage or deformation of the contacts. ■Removal of the holding electric cable may cause damage so please be careful. ■DO NOT apply flux to the contact terminals when hand soldering the receptacle to the board. Wicking of the flux into the electrical contact areas may lead to connection failures. ■Slight discoloration on the insulating materials will not affect form, fit or function of the connectors. Black spots may appear on the mold resin but this does not affect the product quality. ■Please refer to the documents "DF57 Series Cable assembly Procedure ETAD-H0421", "Crimp condition" and "DF57-***SCF(A)** Crimp quality standards ATAD-H0404" for the cable assembly procedures. ■Please refer to the "DF57H Series Mating/Unmating Operation Instruction Manual (ETAD-H0652)" for the connector operation. |
| <p>7.Handling procedure</p> | <p>Please refer to the following documents.</p> <ul style="list-style-type: none"> ■Crimp Quality Standard (ETAD-H0404-00) ■Cable Assembly Procedure (ETAD-H0421-00) ■Mating/Unmating Operation Instruction Manual (ETAD-H0652-00) ■Procedures for Using the Crimp Terminal Extracting Tool (ETAD-H0249-00) ■Board-to-Wire Connector Guidelines (ETAD-H1023-00) |

Mar.1.2025 Copyright 2025 HIROSE ELECTRIC CO., LTD. All Rights Reserved.

8. Insertion and removal operation method

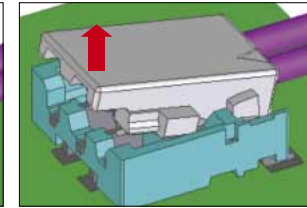
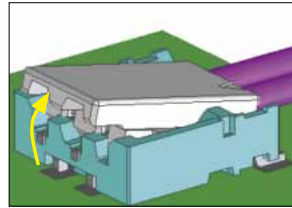
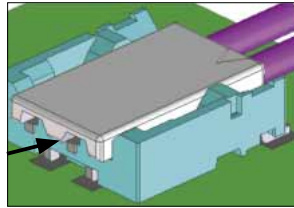
Mating

- ① Determine position, fitting the external form
- ② Insert the cable side
- ③ Push the contact portion side



Un-mating

- ① Engage lever
- ② Pull up and release the simple lock
- ③ The reinforced lock is also released and the un-mating is complete



9. Mating compatibility

| | | | | | |
|-------------------------|--|-------|---|------|---|
| | | DF57H | | DF57 | |
| Header | | | | | |
| Socket | | | | | |
| Mating compatibility | | Y | Y | N | Y |
| Additional guiding keys | | Y | N | - | N |

HIROSE ELECTRIC CO.,LTD.

2-6-3,Nakagawa Chuoh,Tsuzuki-Ku,Yokohama-Shi 224-8540,JAPAN
<https://www.hirose.com/>