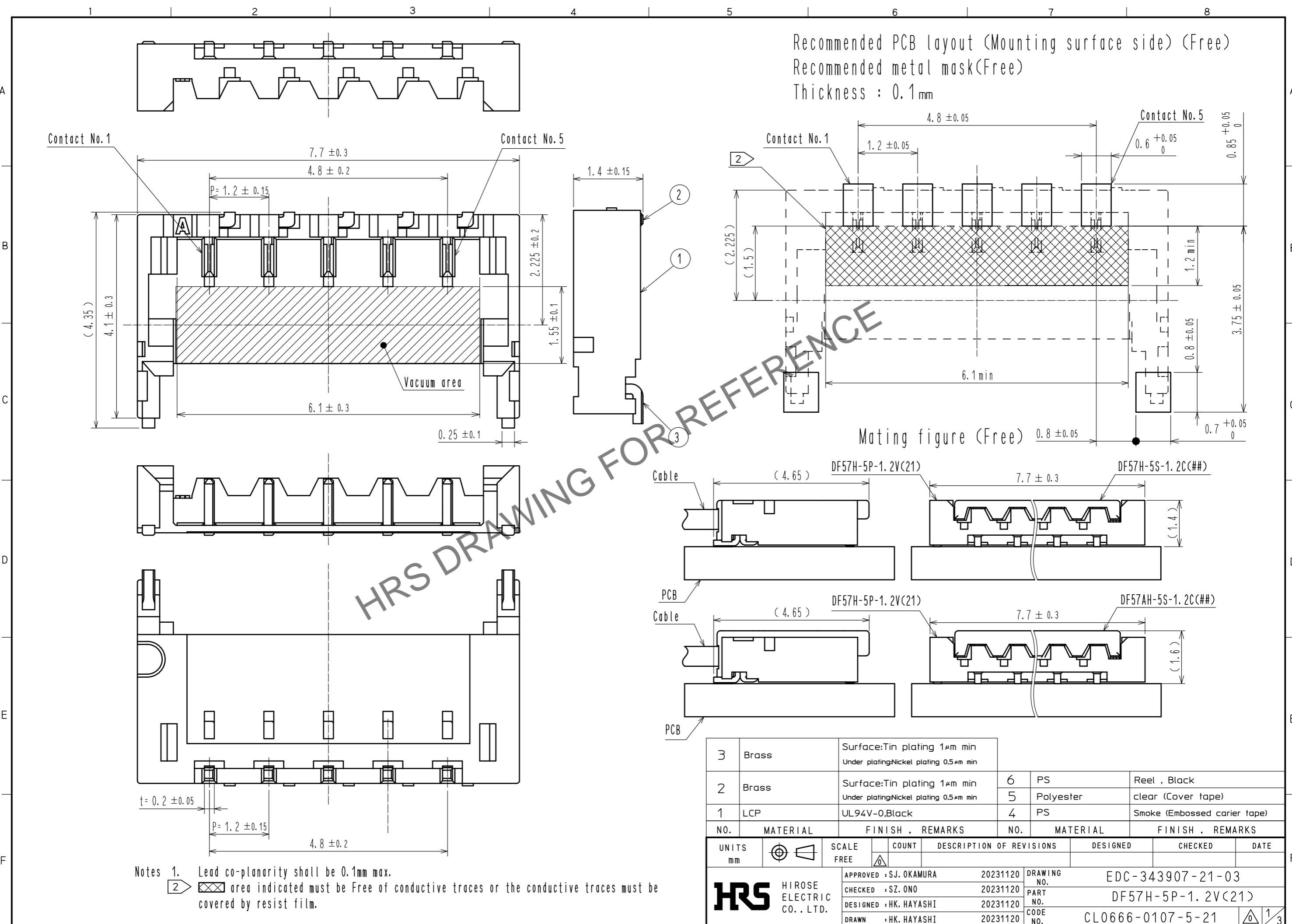


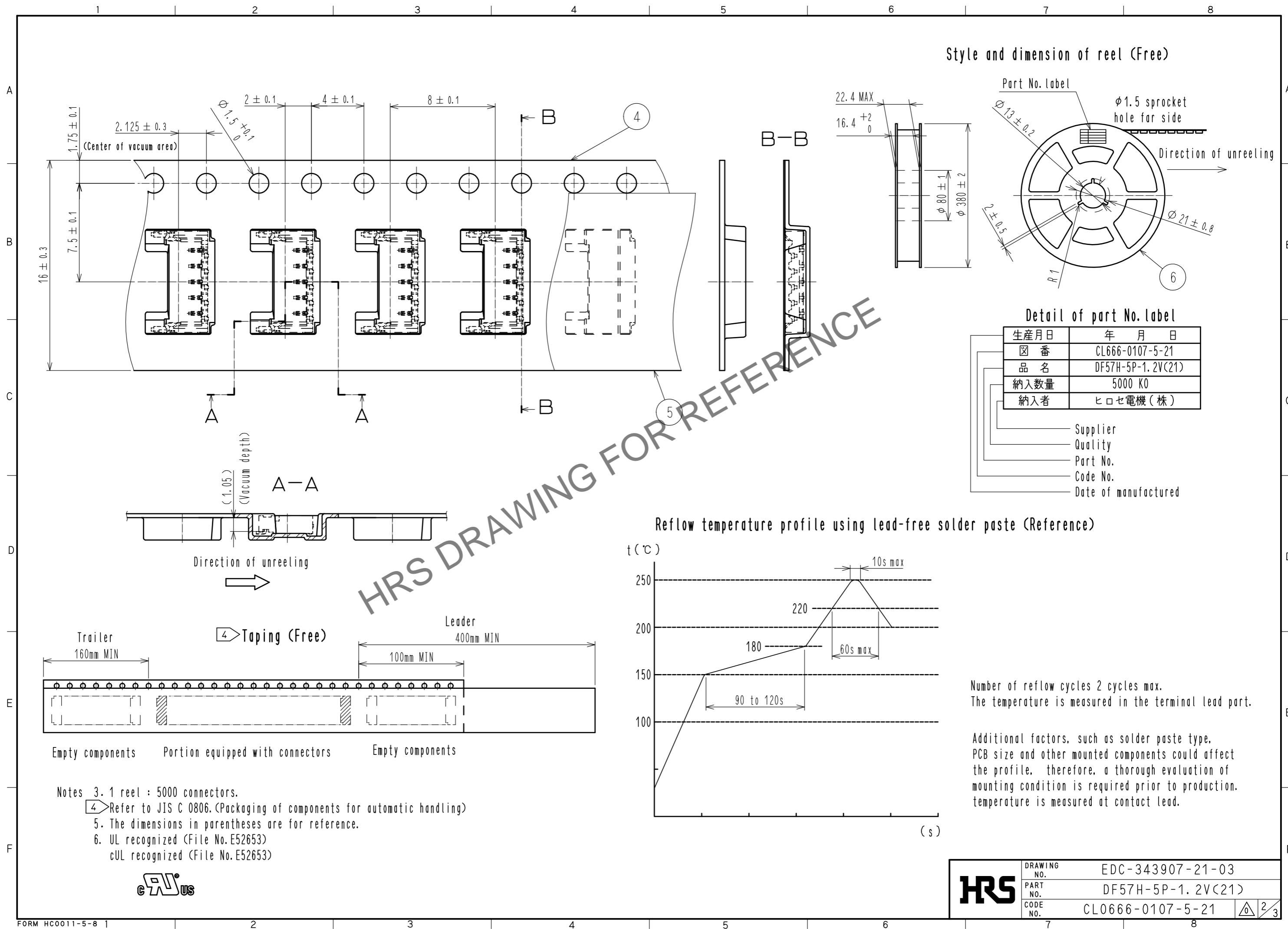
Apr.1.2025 Copyright 2025 HIROSE ELECTRIC CO., LTD. All Rights Reserved.
In case of consideration for using Automotive equipment / device which demand high reliability, kindly contact our sales window correspondents.



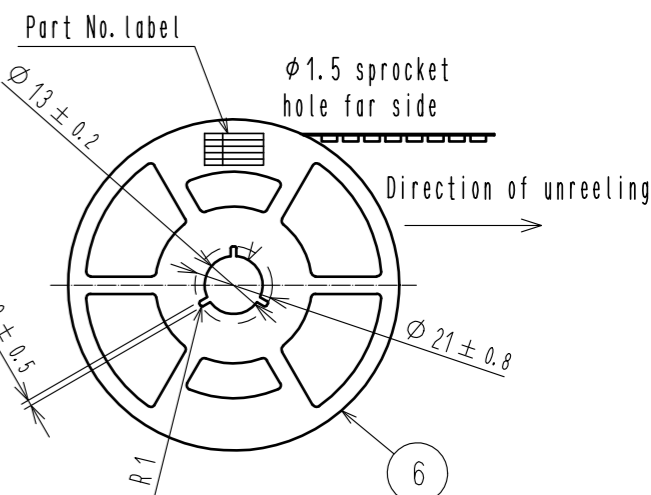
Notes 1. Lead co-planarity shall be 0.1mm max.
 2. area indicated must be Free of conductive traces or the conductive traces must be covered by resist film.

3	Brass	Surface: Tin plating 1μm min Under plating: Nickel plating 0.5μm min	6	PS	Reel, Black
2	Brass	Surface: Tin plating 1μm min Under plating: Nickel plating 0.5μm min	5	Polyester	clear (Cover tape)
1	LCP	UL94V-0, Black	4	PS	Smoke (Embossed carrier tape)
NO.	MATERIAL	FINISH . REMARKS	NO.	MATERIAL	FINISH . REMARKS
UNITS mm		SCALE FREE	COUNT	DESCRIPTION OF REVISIONS	
DESIGNED		CHECKED		DATE	
APPROVED : SJ. OKAMURA		20231120		DRAWING NO. EDC-343907-21-03	
CHECKED : SZ. ONO		20231120		PART NO. DF57H-5P-1.2V(21)	
DESIGNED : HK. HAYASHI		20231120		CODE NO. CL0666-0107-5-21	
DRAWN : HK. HAYASHI		20231120		1/3	

Apr.1.2025 Copyright 2025 HIROSE ELECTRIC CO., LTD. All Rights Reserved.
 In case of consideration for using Automotive equipment / device which demand high reliability, kindly contact our sales window correspondents.



Style and dimension of reel (Free)

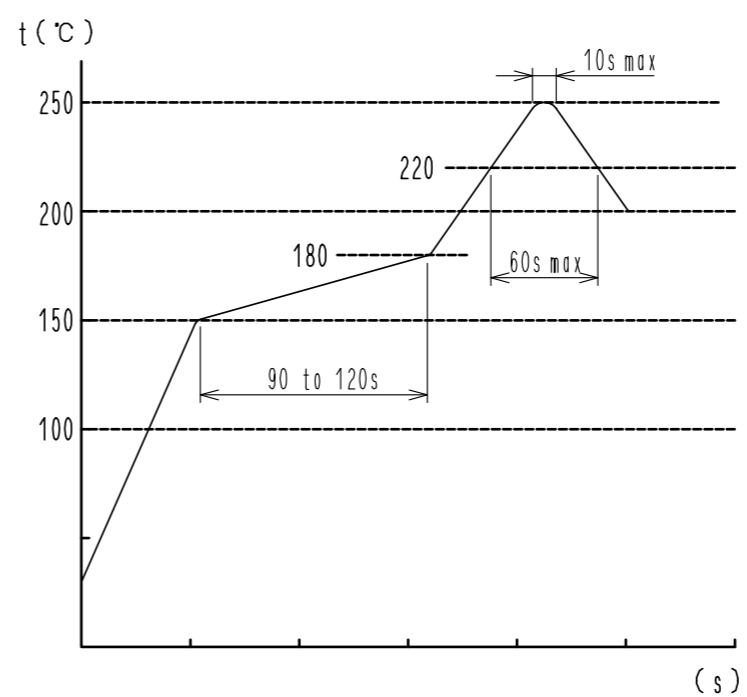


Detail of part No. label

生産月日	年 月 日
図 番	CL666-0107-5-21
品 名	DF57H-5P-1.2V(21)
納入数量	5000 KO
納入者	ヒロセ電機(株)

- Supplier
- Quality
- Part No.
- Code No.
- Date of manufactured

Reflow temperature profile using lead-free solder paste (Reference)



Number of reflow cycles 2 cycles max.
 The temperature is measured in the terminal lead part.

Additional factors, such as solder paste type, PCB size and other mounted components could affect the profile, therefore, a thorough evaluation of mounting condition is required prior to production. temperature is measured at contact lead.

- Notes
- 1 reel : 5000 connectors.
 - Refer to JIS C 0806. (Packaging of components for automatic handling)
 - The dimensions in parentheses are for reference.
 - UL recognized (File No. E52653)
 cUL recognized (File No. E52653)

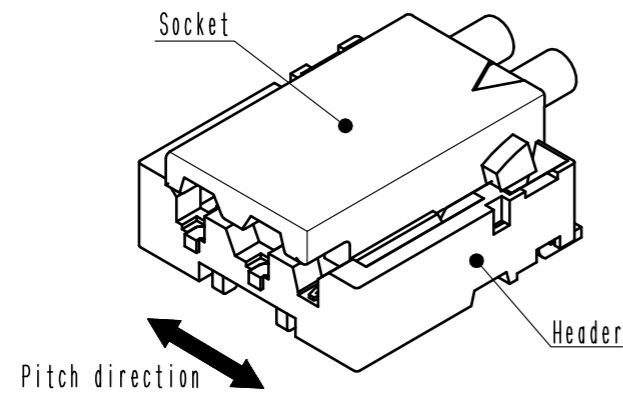


HRS	DRAWING NO.	EDC-343907-21-03
	PART NO.	DF57H-5P-1.2V(21)
	CODE NO.	CL0666-0107-5-21
		2/3

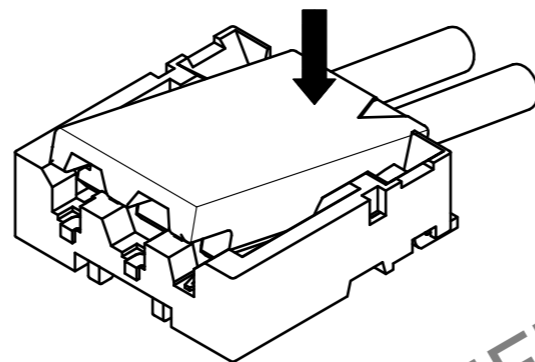
DF57 Series Mating / Unmating Operation Instruction

Mating

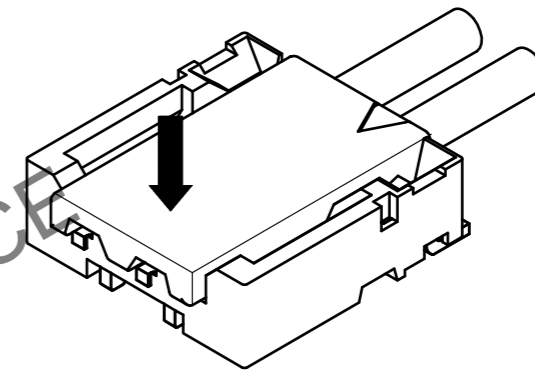
① By positioning the convexity of the socket sides to the header concavity, align the centers of the socket and the header in pitch direction.



② Slightly press the socket down at cable side to tilted angle.

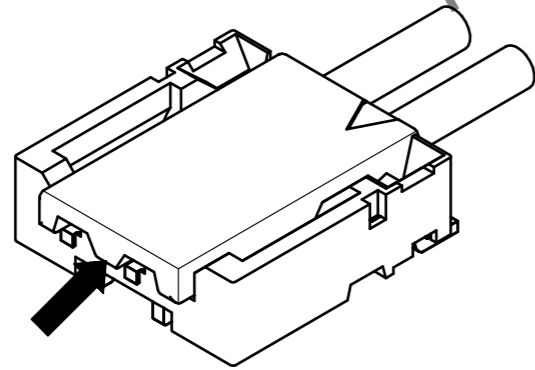


③ Press down at the lever side with stabilizing the cable side to insert. Mating completes.

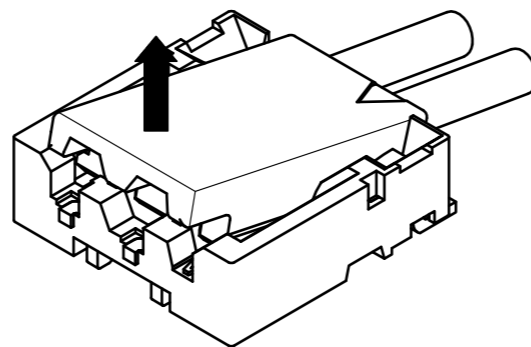


Unmating

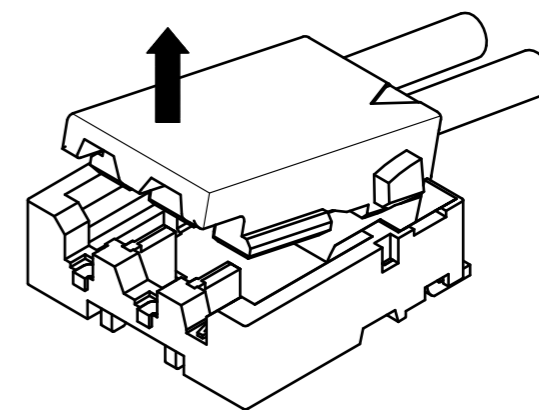
① Hook the lever with finger nail.



② Lift up to the upper direction and friction lock is released.



③ Lift up to the upper direction and positive lock is released. Removal completes.



HRS DRAWING FOR REFERENCE

HRS	DRAWING NO.	EDC-343907-21-03
	PART NO.	DF57H-5P-1.2V(21)
	CODE NO.	CL0666-0107-5-21
		3/3

Apr.1.2025 Copyright 2025 HIROSE ELECTRIC CO., LTD. All Rights Reserved. In case of consideration for using Automotive equipment / device which demand high reliability, kindly contact our sales window correspondents.