

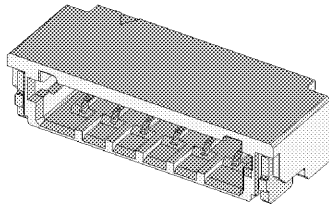
1. Scope

This document specifies the procedures of mating/unmating operation of DF52 series.

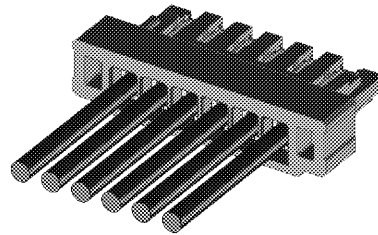
This document contains general guideline and operating suggestions to use this product safely. If this product is used another way from being written in this document, unexpected trouble such as connector breakage could happen. Please read through this document and understand proper operation before using.

2. Connectors

Part No.	Classification	Description
DF52-*S-0.8H	Receptacle (PCB side connector)	Receptacle
DF52-*P-0.8C	Plug (Cable side connector)	Crimp case
DF52-%%PCF		Crimp contact



【Receptacle】
DF52-*S-0.8H



【Plug】
DF52-*P-0.8C
+DF52-%%PCF(Cables attached)

3. Operation procedure

3-1. Insertion

- 3-1-a. Confirmation of insertion orientation:
Set the plug as shown in the figure 1.

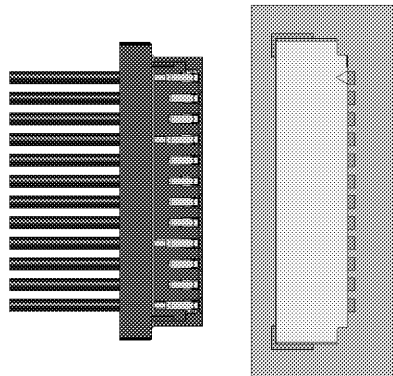


Fig. 1 Correct plug orientation

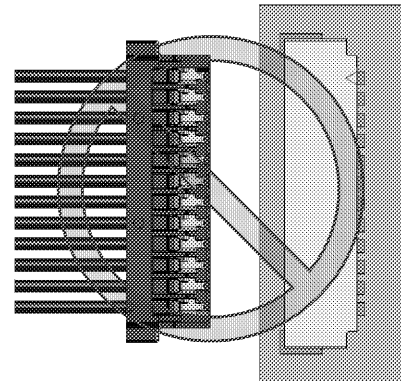


Fig. 2 Reversed plug

COUNT	DESCRIPTION OF REVISIONS	DESIGNED	CHECKED	DATE			
△0							
TITLE		HIROSE ELECTRIC CO.,LTD. APPROVED KI.AKIYAMA 14.11.10 CHECKED HK.UMEHARA 14.11.10 DESIGNED TH.YOSHIZAWA 14.11.10 WRITTEN TH.YOSHIZAWA 14.11.10					
DF52 Series Mating/Unmating Operation Instruction Manual							
TECHNICAL SPECIFICATION					ETAD-H0788	△0	1 / 3

3-1-b. Alignment to insertion:

Hold all cables evenly and align the plug with light force as shown in the figure 3. In this state contacts are partially exposed.

After alignment, push the plug straight to the end, and the insertion is completed when exposed contacts become invisible.

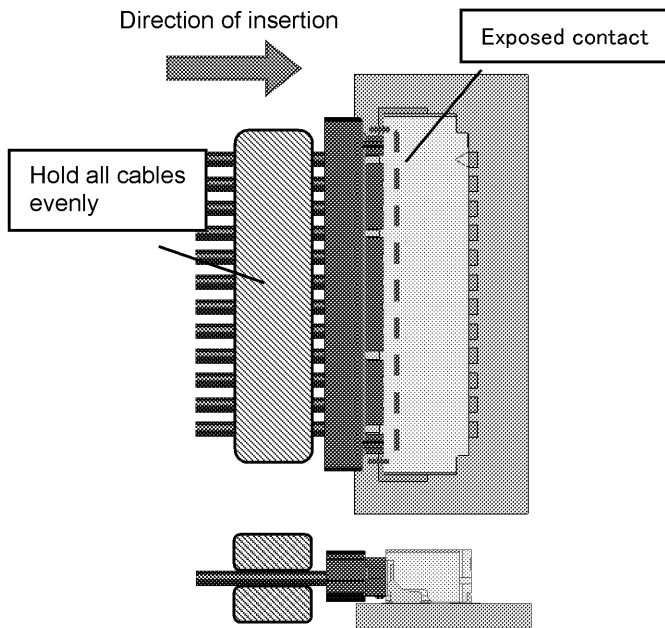


Fig.3 Alignment for insertion

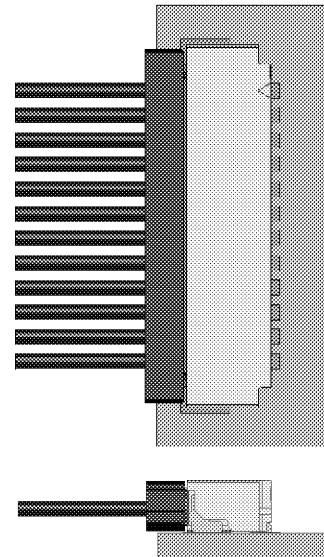


Fig.4 Insertion completed

When some contacts are exposed as shown in the figure 4, it is incomplete mating state. Push a plug again, and complete insertion.

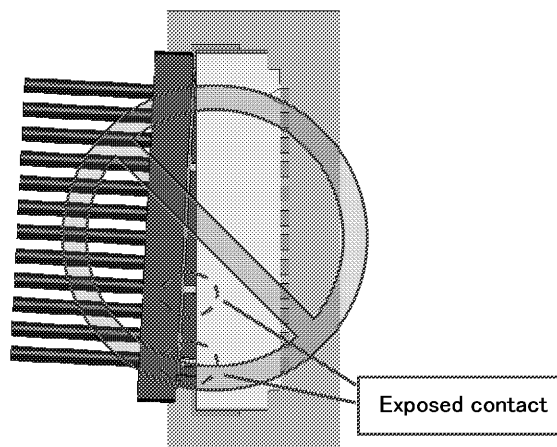


Fig.5 Incomplete mating

3-2. Removal

Hold the cables evenly and pull them in a horizontal direction.

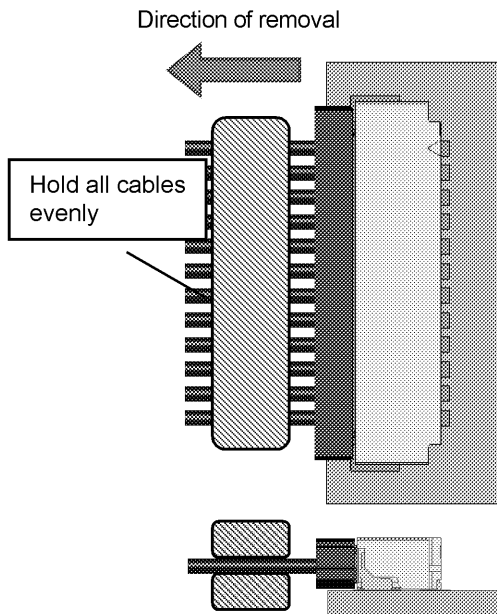


Fig.5 Removal

To avoid degraded quality, do not tilt the socket for removal as shown in the figure above. (30°MAX)

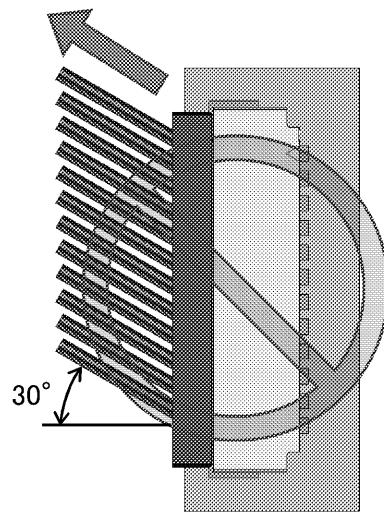


Fig.6 Prohibited removal①

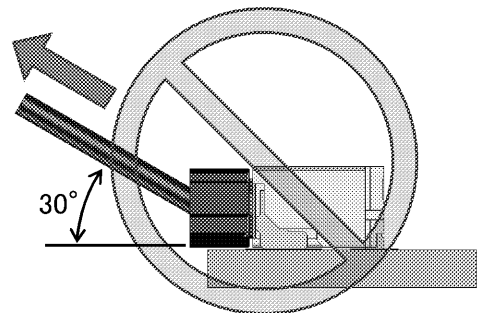


Fig.7 Prohibited removal②

4. Precautions

- Do not insert or remove the plug and header while electrifying.
- Excessive external force applied to connectors could cause fault or damage. Therefore, avoid forced insertion or removal, impacts given by falling, or forced pulling of cables.