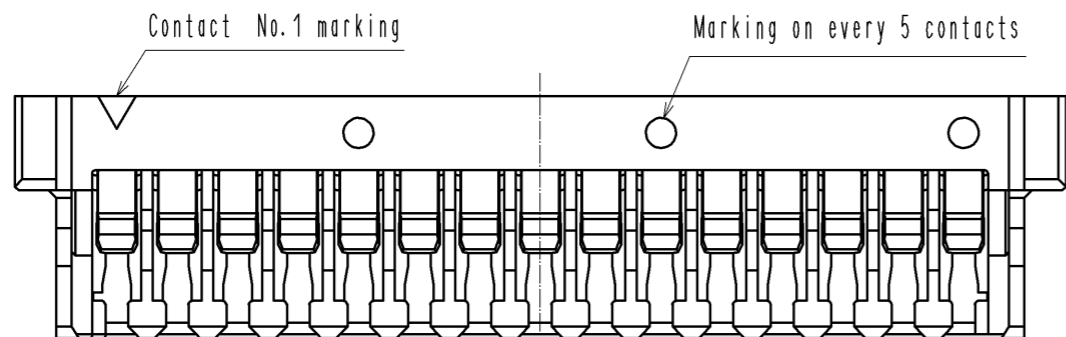
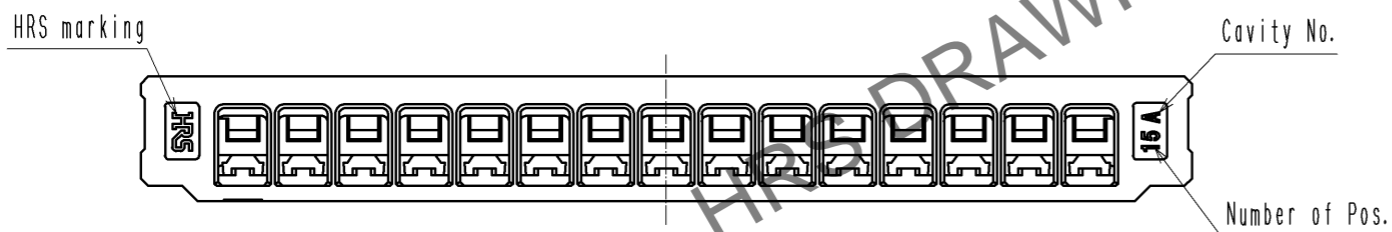
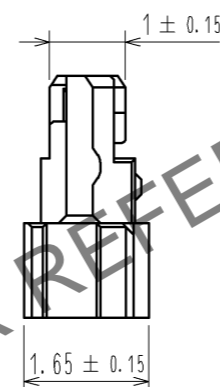
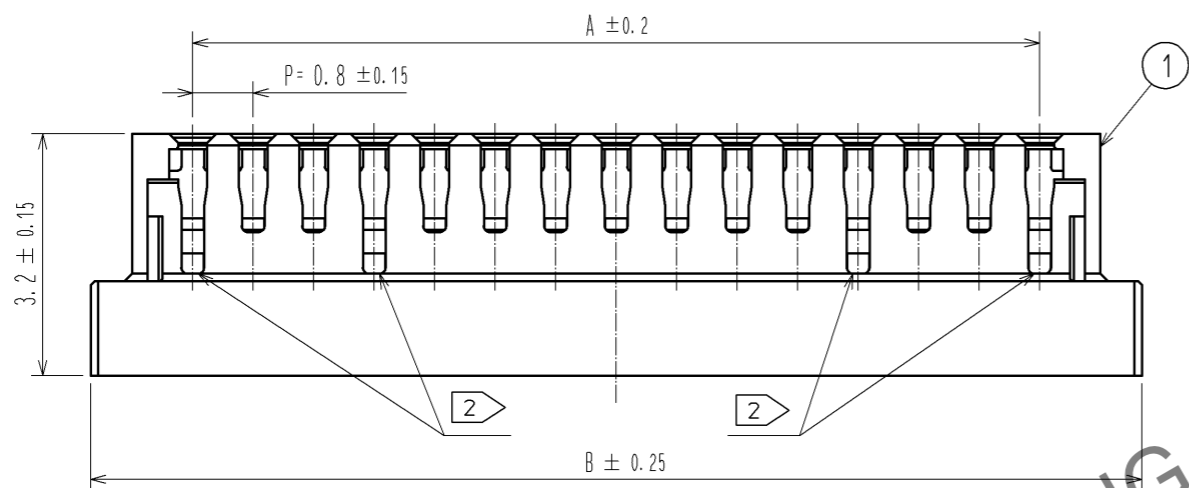
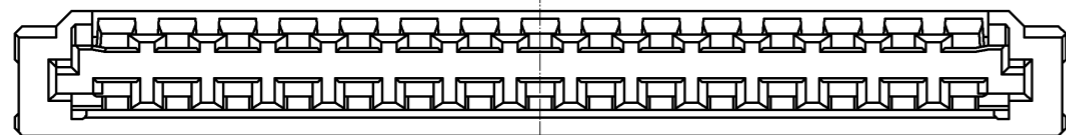


Sep.1.2024 Copyright 2024 HIROSE ELECTRIC CO., LTD. All Rights Reserved.
In case of consideration for using Automotive equipment / device which demand high reliability, kindly contact our sales window correspondents.



Part No.	Code No.	A	B
DF52-2P-0.8C	CL0668-0013-6-00	0.8	3.5
DF52-3P-0.8C	CL0668-0026-8-00	1.6	4.3
DF52-4P-0.8C	CL0668-0014-9-00	2.4	5.1
DF52-5P-0.8C	CL0668-0027-0-00	3.2	5.9
DF52-6P-0.8C	CL0668-0015-1-00	4.0	6.7
DF52-8P-0.8C	CL0668-0016-4-00	5.6	8.3
DF52-10P-0.8C	CL0668-0017-7-00	7.2	9.9
DF52-12P-0.8C	CL0668-0018-0-00	8.8	11.5
DF52-14P-0.8C	CL0668-0028-3-00	10.4	13.1
DF52-15P-0.8C	CL0668-0019-2-00	11.2	13.9
DF52-16P-0.8C	CL0668-0029-6-00	12.0	14.7
DF52-17P-0.8C	CL0668-0002-0-00	12.8	15.5
DF52-20P-0.8C	CL0668-0020-1-00	15.2	17.9

Note 1. Per pack : 100 pieces.
 2 A number of slits varies depending on pin count.
 - 2 slits for 2 to 8 pos. (No.1, No.N)
 - 4 slits for 10 to 20 pos. (No.1, No.4, No.N-1, No.N)

NO.	MATERIAL	FINISH . REMARKS	NO.	MATERIAL	FINISH . REMARKS
			1	Polyamide	Black, UL94V-0
UNITS mm		SCALE 5 : 1	COUNT 	DESIGNED	CHECKED
HRS HIROSE ELECTRIC CO., LTD.		APPROVED : KI. AKIYAMA 14.06.27	DESCRIPTION OF REVISIONS	DRAWING NO. EDC3-356518-00	
		CHECED : HK. UMEHARA 14.06.27		PART NO. DF52-*P-0.8C	
		DESIGNED : TH. YOSHIKAWA 14.06.26		CODE NO. CL668-	
		DRAWN : TH. YOSHIKAWA 14.06.26			