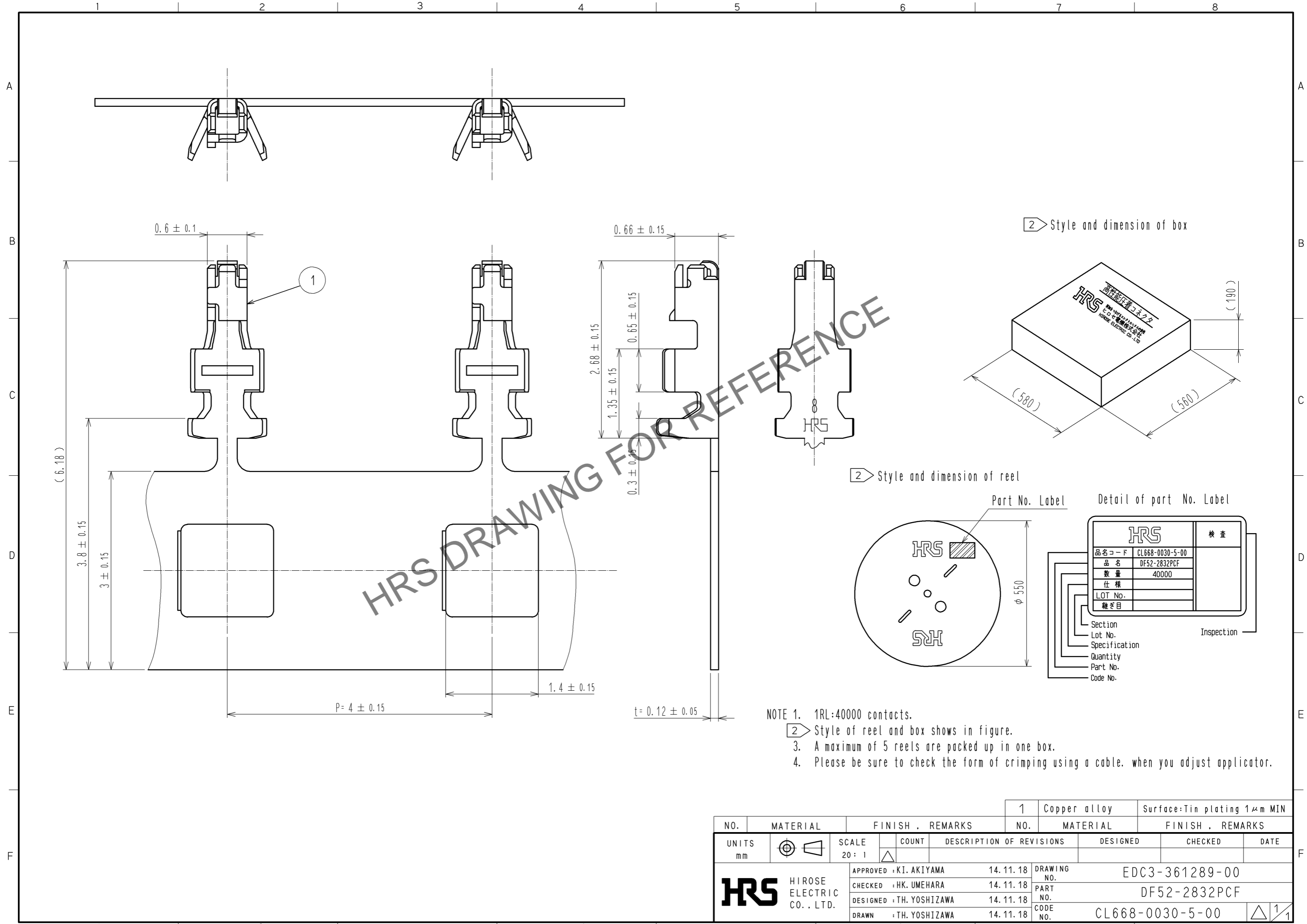
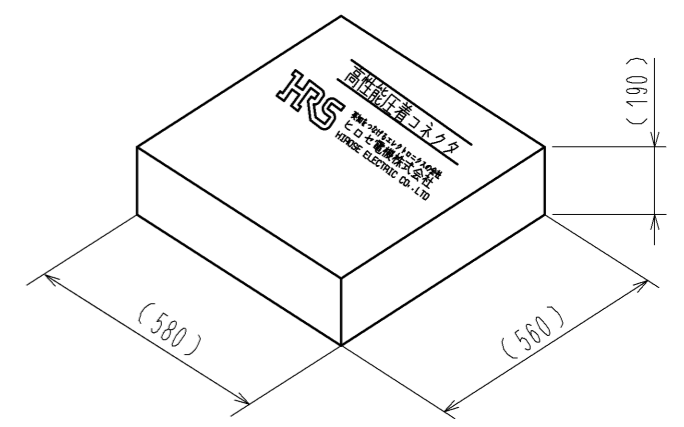


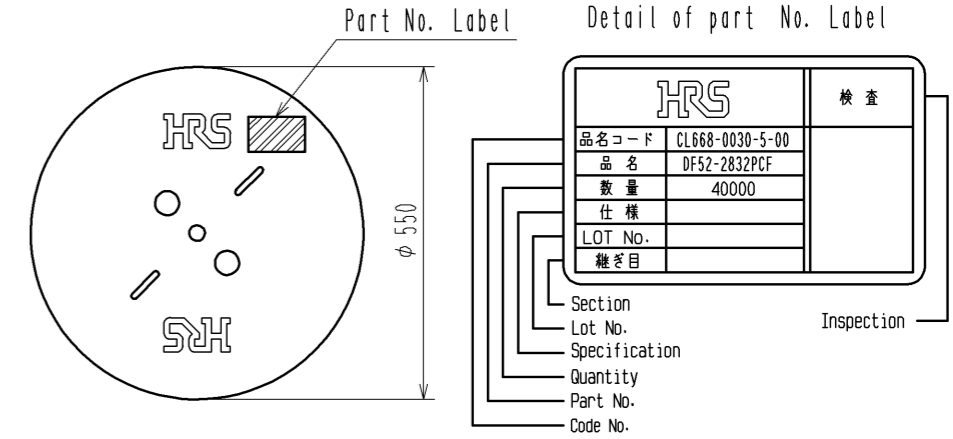
Sep.1.2024 Copyright 2024 HIROSE ELECTRIC CO., LTD. All Rights Reserved.
In case of consideration for using Automotive equipment / device which demand high reliability, kindly contact our sales window correspondents.



2 Style and dimension of box



2 Style and dimension of reel



- NOTE 1. 1RL:40000 contacts.
 2 Style of reel and box shows in figure.
 3. A maximum of 5 reels are packed up in one box.
 4. Please be sure to check the form of crimping using a cable. when you adjust applicator.

NO.	MATERIAL	FINISH . REMARKS	NO.	MATERIAL	FINISH . REMARKS
			1	Copper alloy	Surface:Tin plating 1μm MIN
UNITS mm		SCALE 20 : 1	COUNT 	DESCRIPTION OF REVISIONS	DESIGNED
HRS HIROSE ELECTRIC CO., LTD.	APPROVED : KI. AKIYAMA	14.11.18	DRAWING NO.	EDC3-361289-00	
	CHECKED : HK. UMEHARA	14.11.18	PART NO.	DF52-2832PCF	
	DESIGNED : TH. YOSHIZAWA	14.11.18	CODE NO.	CL668-0030-5-00	
	DRAWN : TH. YOSHIZAWA	14.11.18		1/1	