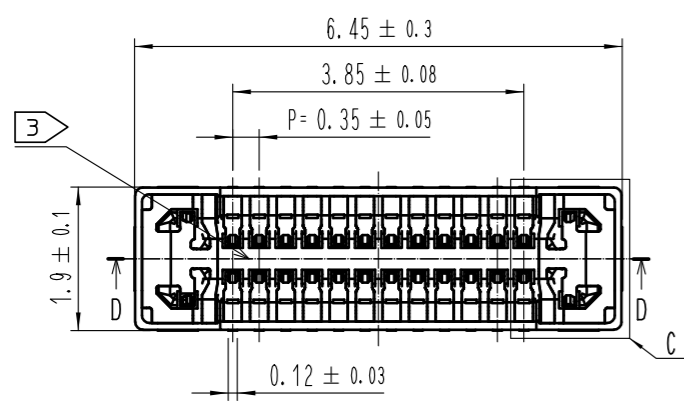
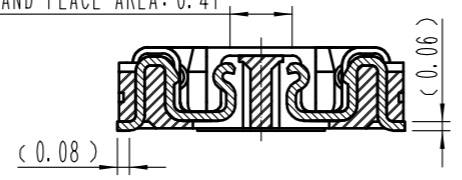


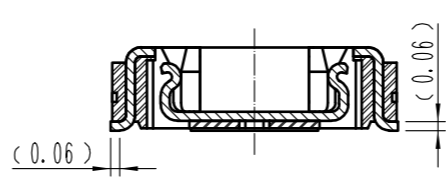
Apr.1.2025 Copyright 2025 HIROSE ELECTRIC CO., LTD. All Rights Reserved.
In case of consideration for using Automotive equipment / device which demand high reliability, kindly contact our sales window correspondents.



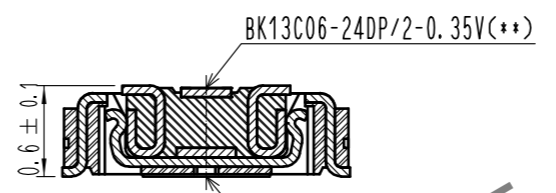
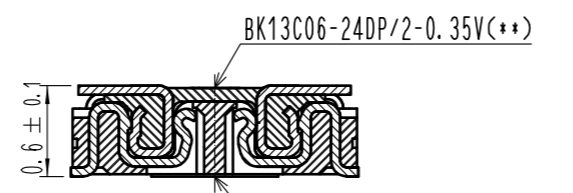
A-A (20:1)



B-B (20:1)

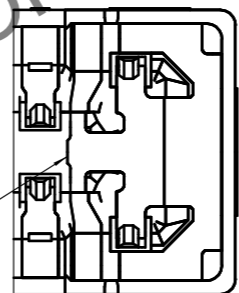
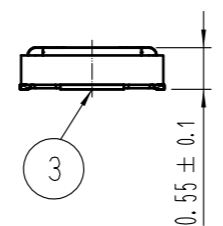
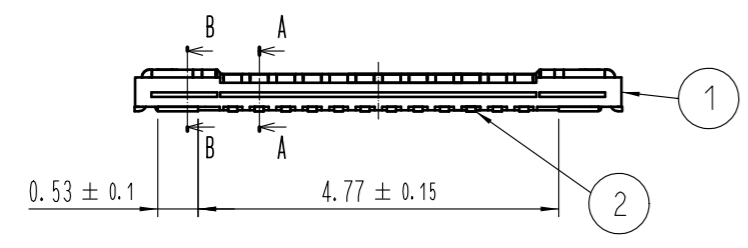


ENGAGEMENT FIGURE (20:1)



SIGNAL CONTACT

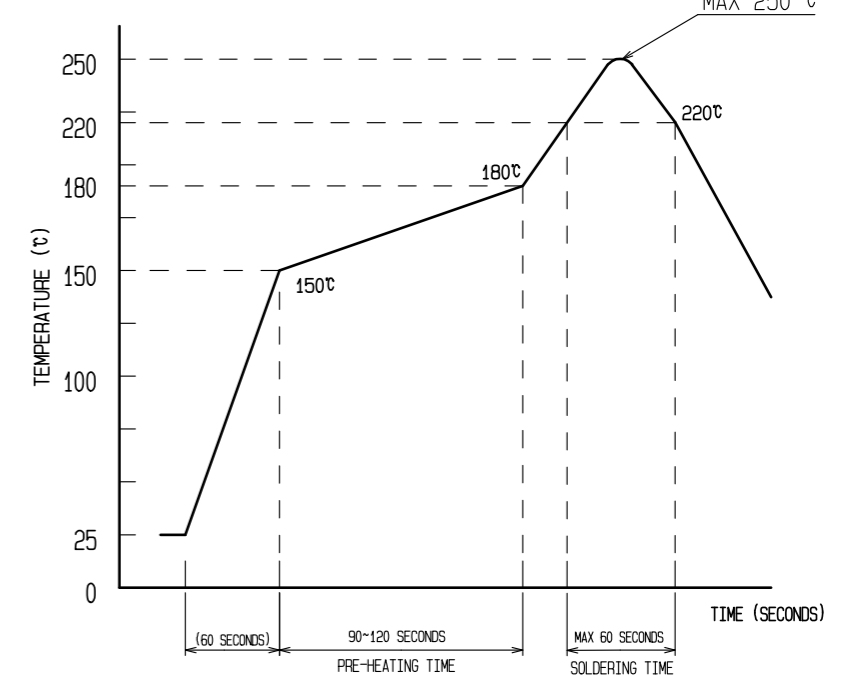
POWER CONTACT



NOTE 1. All lead co-planarity will be 0.08mm MAX.

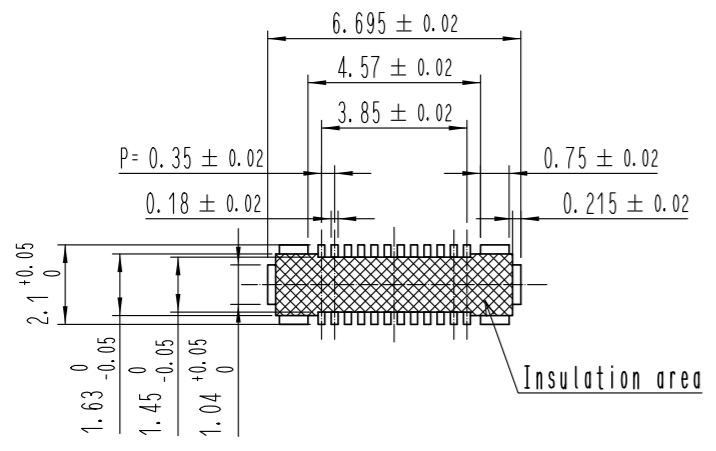
- 2 Contact plating specifications
Contact area : Gold 0.05μm MIN
SMT lead : Gold 0.05μm MIN
Under plating : Nickel 1μm MIN
(Surface : Sealing)
- 3 Cavity number is indicated at approximate location.
- 4 There is also the shape as indicated.

5 RECOMMENDED REFLOW TEMPERATURE PROFILE USING LEAD-FREE SOLDER PASTE.

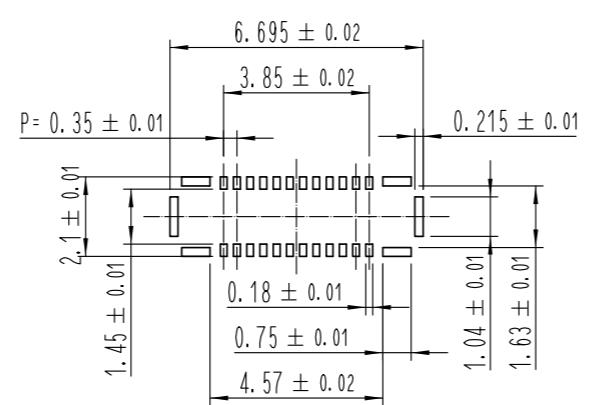


Reflow method: IR reflow
Number of reflow cycles: 2 cycles MAX.
1) Reflow time
Duration above 220°C, 60 sec MAX.
(Peak temperature: 250°C MAX)
2) Pre-heat time
Pre-heat temperature (MIN): 150°C
Pre-heat temperature (MAX): 180°C
Pre-heat time: 90-120 sec.

6 RECOMMENDED PCB LAYOUT



RECOMMENDED METAL MASK DIMENSIONS

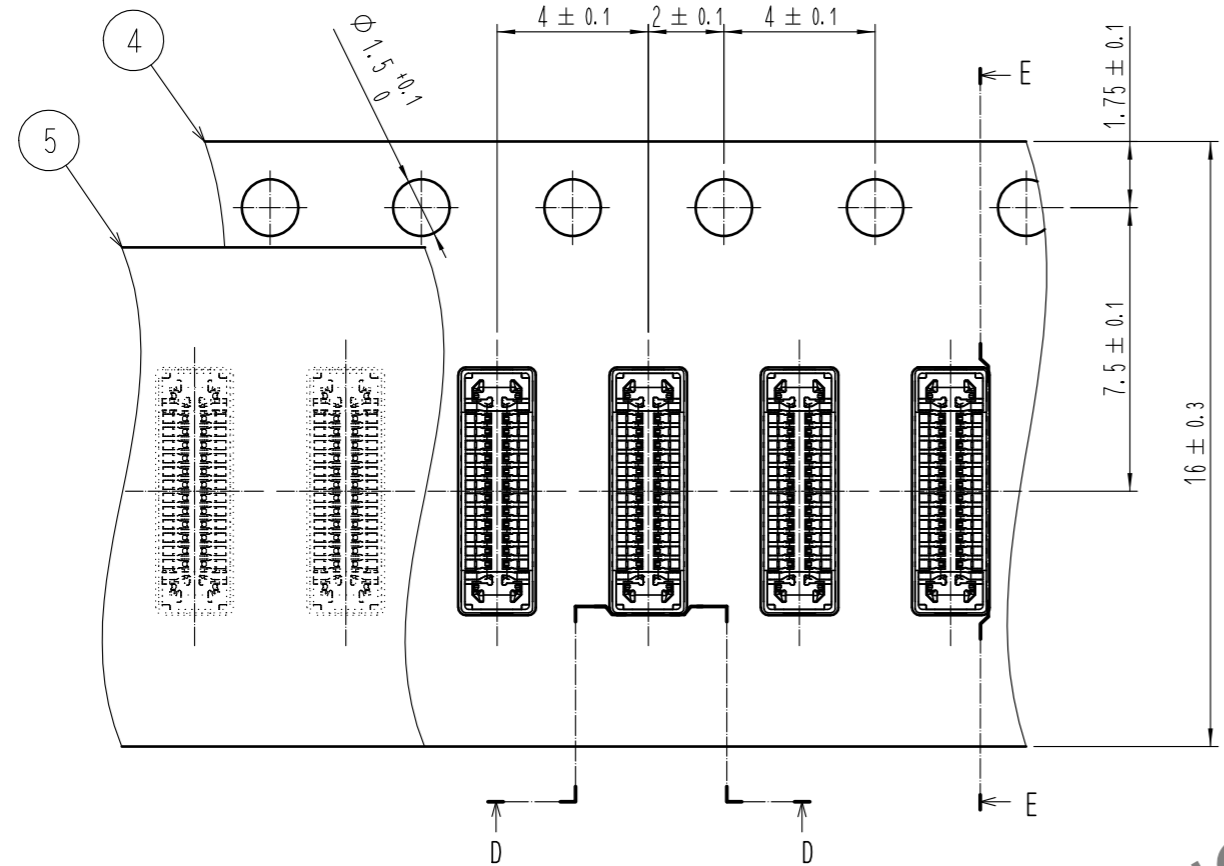


- 5 This temperature profile is based on the suggested metal mask and footprint. Please contact us if using different settings from our recommendation.
- 6. This product satisfies halogen free requirements defined as 900ppm maximum chlorine, 900ppm maximum bromine, and 1500ppm maximum total of chlorine and bromine.
- 7. This product comply with RoHS.

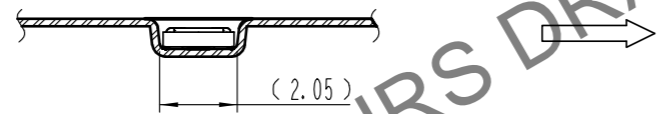
4	PS	CLEAR(EMBOSSED CARRIER TAPE)			
3	COPPER ALLOY	2	7	PS	CLEAR (REINFORCEMENT COLLAR)
2	COPPER ALLOY	2	6	PS	BLACK (PLASTIC REEL)
1	LCP	UL94 V-0, BLACK	5	POLYESTER	CLEAR (COVER TAPE)
NO.	MATERIAL	FINISH . REMARKS	NO.	MATERIAL	FINISH . REMARKS
UNITS mm		SCALE 10 : 1	COUNT 2	DESCRIPTION OF REVISIONS DIS-H-00018706	DESIGNED YT. TAKAGI
APPROVED : TY. 001		20230616	DRAWING NO. EDC-403847-00-01		
CHECKED : RT. SHIMIZU		20230616	PART NO. BK13C06-24DS/2-0.35V(895)		
DESIGNED : YT. TAKAGI		20230615	CODE NO. CL0673-0145-0-00		
DRAWN : YT. TAKAGI		20230615	1/2		
			DATE 20230727		
			CHECKED RT. SHIMIZU		

Apr.1.2025 Copyright 2025 HIROSE ELECTRIC CO., LTD. All Rights Reserved.
 In case of consideration for using Automotive equipment / device which demand high reliability, kindly contact our sales window correspondents.

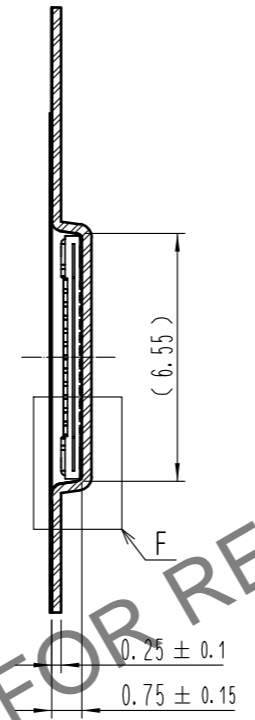
EMBOSSED CARRIER TAPE PACKAGING (5:1)



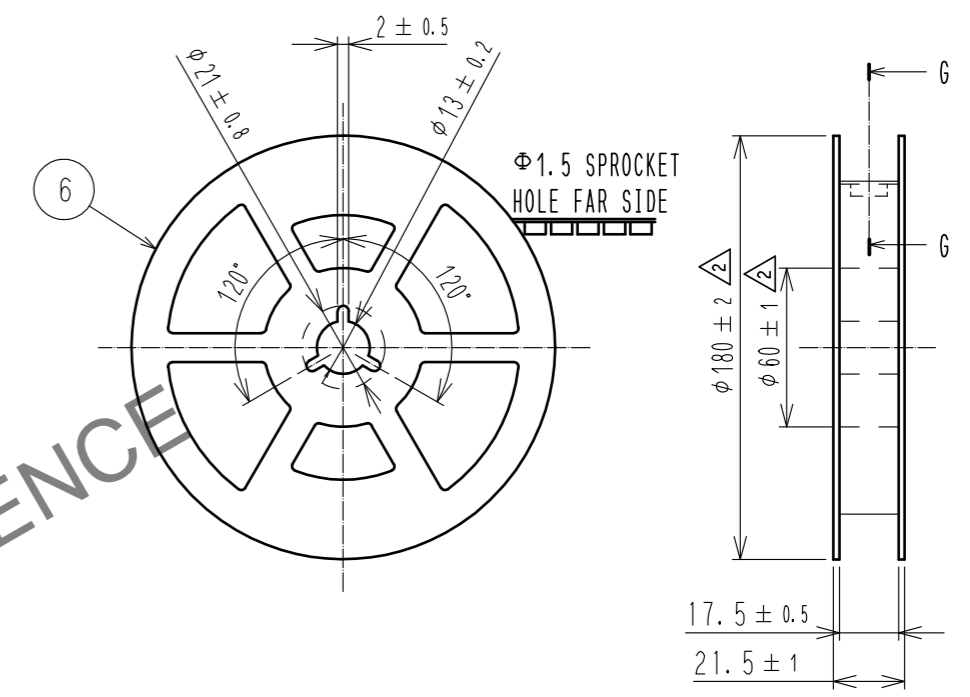
D-D (5:1)



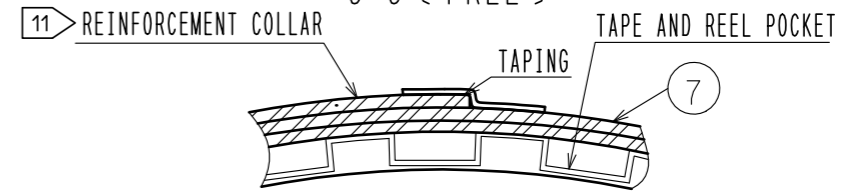
E-E (5:1)



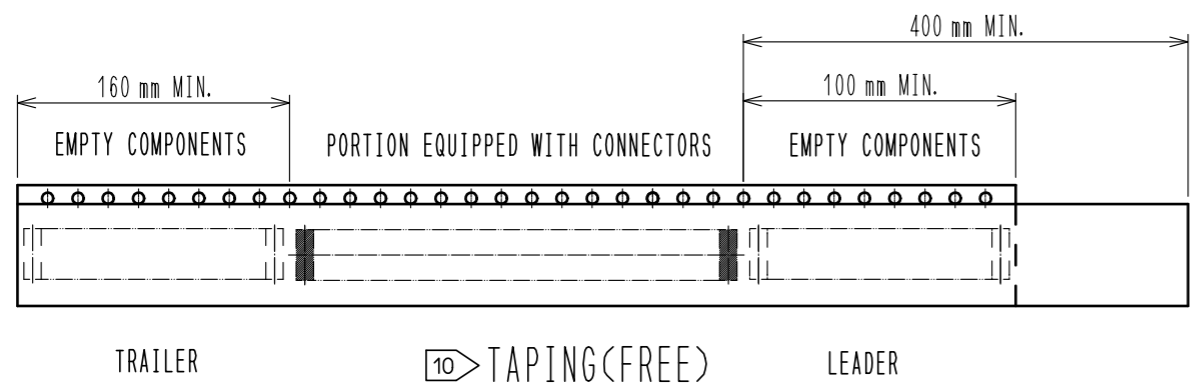
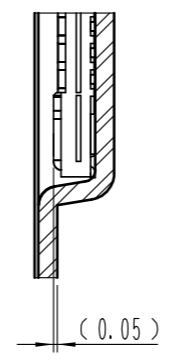
STYLE AND DIMENSION OF REEL (FREE)



G-G (FREE)



F (10:1)



- 8 . 1,000 connectors per reel.
- 9 . The dimensions in parentheses are for reference.
- 10 . Refer to IEC 60286-3 (packaging of components for automatic handling)
- 11 . The reinforcing collar is wrapped around the emboss tape and taped down at the end of the collar.

HRS	DRAWING NO.	EDC-403847-00-01	
	PART NO.	BK13C06-24DS/2-0.35V(895)	
	CODE NO.	CL0673-0145-0-00	$\frac{2}{2}$