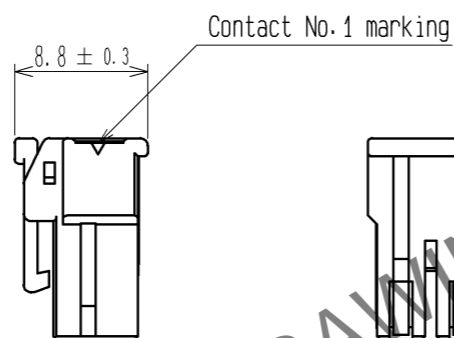
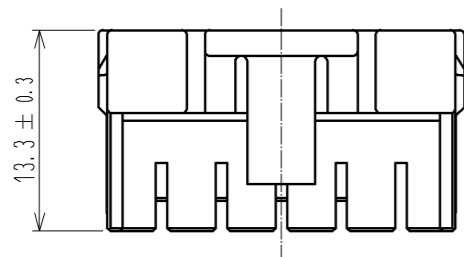
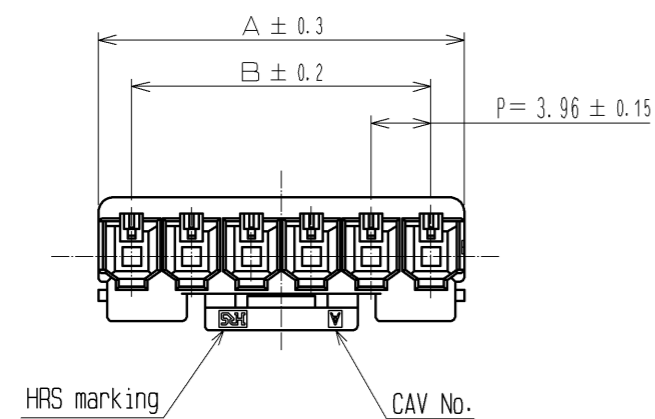
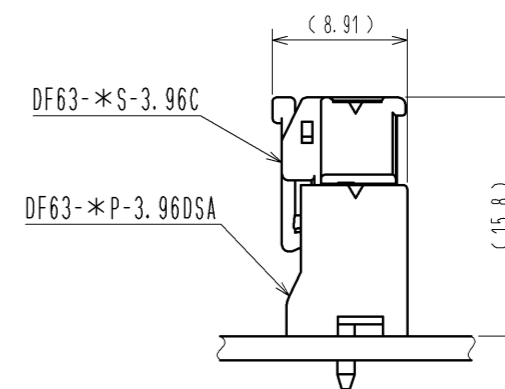


Sep.1.2024 Copyright 2024 HIROSE ELECTRIC CO., LTD. All Rights Reserved.
In case of consideration for using Automotive equipment / device which demand high reliability, kindly contact our sales window correspondents.



Mating Figure



HRS DRAWING FOR REFERENCE

Part Number	HRS No.	Number of Contact	A	B
DF63-1S-3.96C	680-0508-2	1	6.2	—
DF63-2S-3.96C	680-0509-5	2	8.36	3.96
DF63-3S-3.96C	680-0502-6	3	12.32	7.92
DF63-4S-3.96C	680-0510-4	4	16.28	11.88
DF63-5S-3.96C	680-0511-7	5	20.24	15.84
DF63-6S-3.96C	680-0512-0	6	24.2	19.8

NOTE. 1. Per pack:100 Pieces.
2. The dimensions in parenthesis are for reference.

NO.	MATERIAL	FINISH . REMARKS	1	PBT	UL94V-0(BLACK)		
UNITS mm		SCALE 2 : 1	COUNT 	DESCRIPTION OF REVISIONS	DESIGNED	CHECKED	DATE
HIROSE ELECTRIC CO., LTD.			APPROVED : KI. AKIYAMA	13.09.10	DRAWING NO. EDC3-354067-00		
			CHECKED : OM. MIYAMOTO	13.09.10	PART NO. DF63-*S-3.96C		
			DESIGNED : TO. HORII	13.09.09	CODE NO.		
			DRAWN : TO. HORII	13.09.09	1/1		