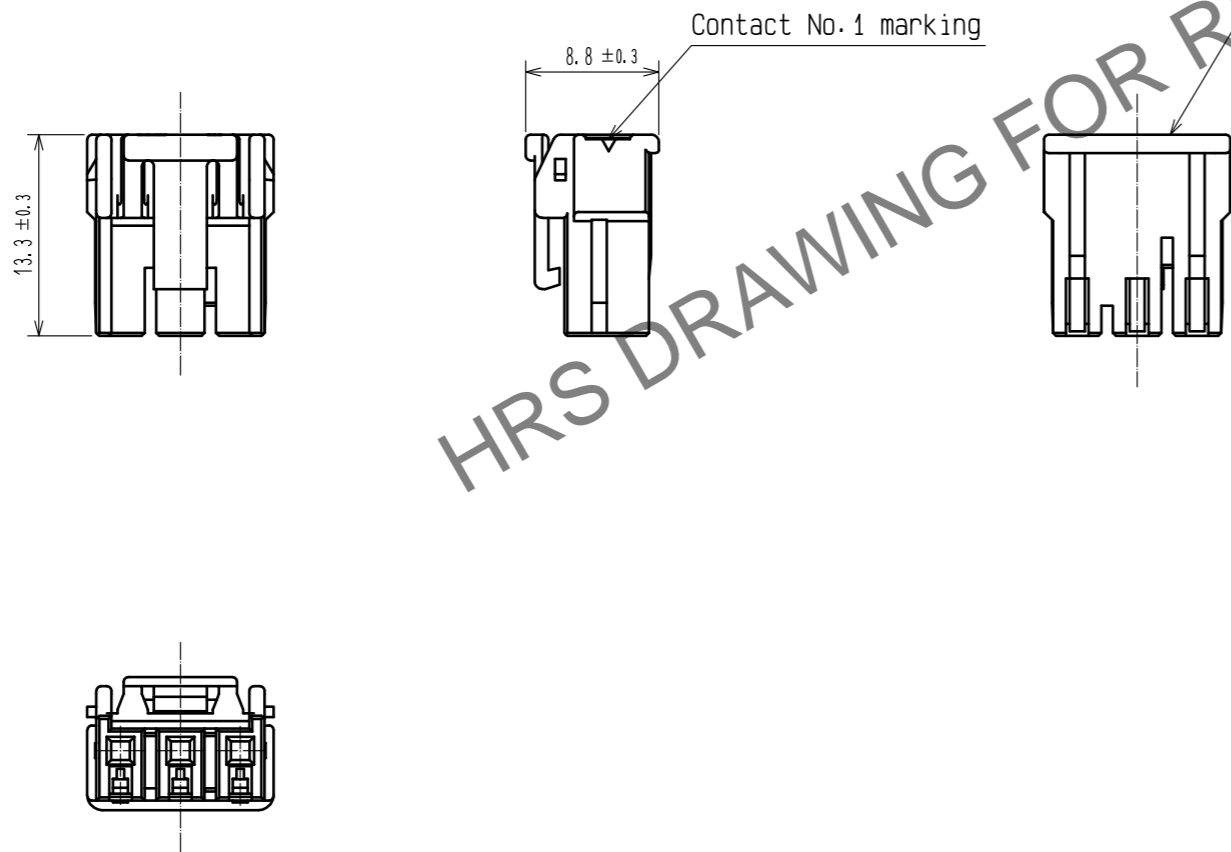
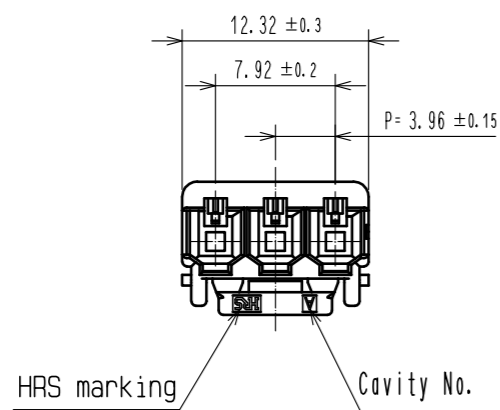
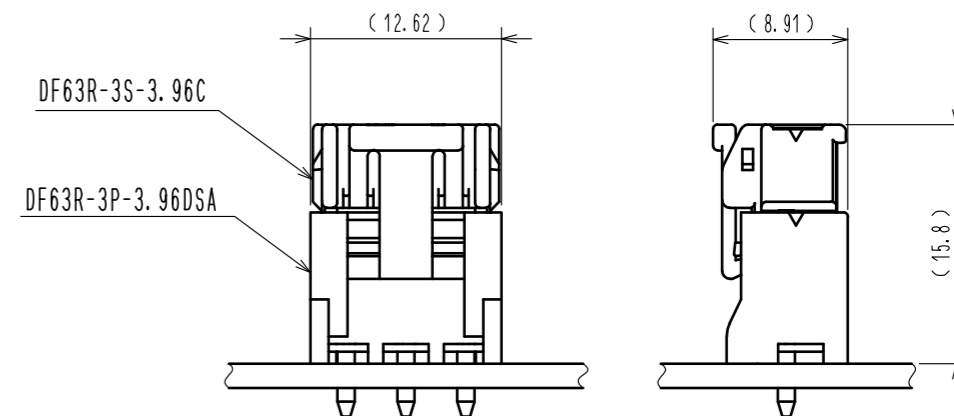


Oct.1.2024 Copyright 2024 HIROSE ELECTRIC CO., LTD. All Rights Reserved.  
 In case of consideration for using Automotive equipment / device which demand high reliability, kindly contact our sales window correspondents.



Mating Figure



HRS DRAWING FOR REFERENCE

- Note1. Per pack : 100 pieces
- 2. The dimensions in parenthesis are for reference.
- △ 3. UL(File No. E52653)  
 C-UL(Fie No. E52653)  
 TUV(Certificate No. R50318850) authorization article.



NO.		MATERIAL		FINISH . REMARKS		1	PBT	UL94V-0(White) △	
UNITS mm		SCALE 2 : 1	COUNT 2	DESCRIPTION OF REVISIONS DIS-H-00003929		DESIGNED TS. KUMAZAWA		CHECKED SZ. ONO	DATE 18.06.12
HIROSE ELECTRIC CO., LTD.		APPROVED : KI. AKIYAMA	14.06.05	DRAWING NO.		EDC3-356812-00			
		CHECED : HK. UMEHARA	14.06.05	PART NO.		DF63R-3S-3.96C			
		DESIGNED : YK. YAMAGUCHI	14.05.30	CODE NO.		CL680-0516-0-00			
		DRAWN : YK. YAMAGUCHI	14.05.30			△ 1/1			