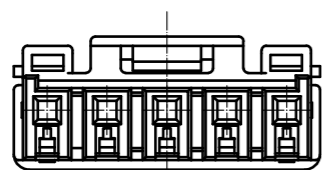
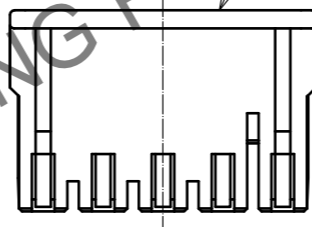
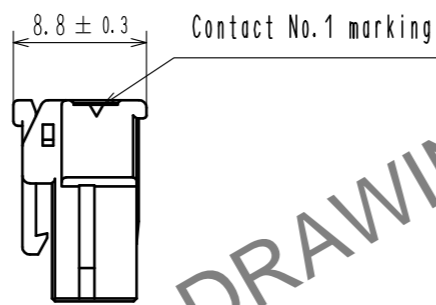
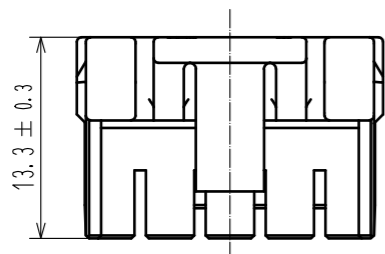
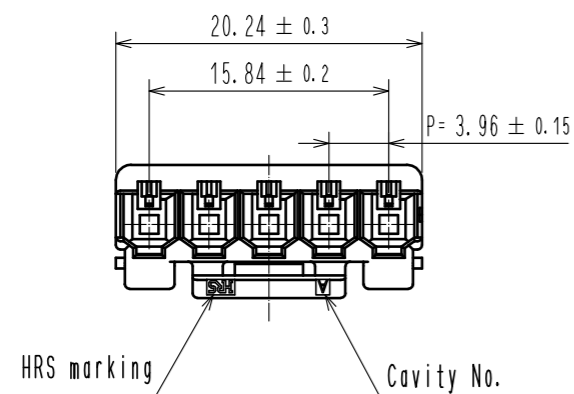
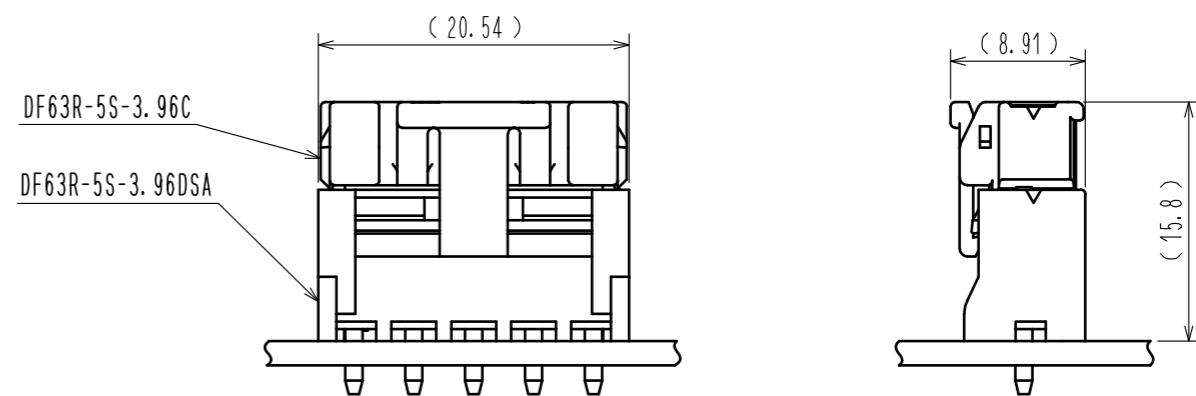


Oct.1.2024 Copyright 2024 HIROSE ELECTRIC CO., LTD. All Rights Reserved.
 In case of consideration for using Automotive equipment / device which demand high reliability, kindly contact our sales window correspondents.



Mating figure



HRS DRAWING FOR REFERENCE

- Note1. Per pack : 100 pieces
 2. The dimension in parenthesis are for reference.
 3. UL(File No. E52653)
 C-UL(Fie No. E52653)
 TUV(Certificate No. R50318850) authorization article.



| | | | | | | | | | | | |
|--------------------------|--|--|----------------|--|--|------------------|--|--|--------------------------|-----|----------------|
| NO. | | | MATERIAL | | | FINISH . REMARKS | | | 1 | PBT | UL94V-0(WHITE) |
| UNITS mm | | | SCALE 2 : 1 | | | COUNT | | | DESCRIPTION OF REVISIONS | | |
| APPROVED : KI. AKIYAMA | | | 16.02.18 | | | DRAWING NO. | | | EDC3-357165-00 | | |
| CHECKED : TS. FUKUSHIMA | | | 16.02.17 | | | PART NO. | | | DF63R-5S-3.96C | | |
| DESIGNED : YK. YAMAGUCHI | | | 16.02.17 | | | CODE NO. | | | CL680-0525-1-00 | | |
| DRAWN : YK. YAMAGUCHI | | | 16.02.17 | | | | | | 1/1 | | |