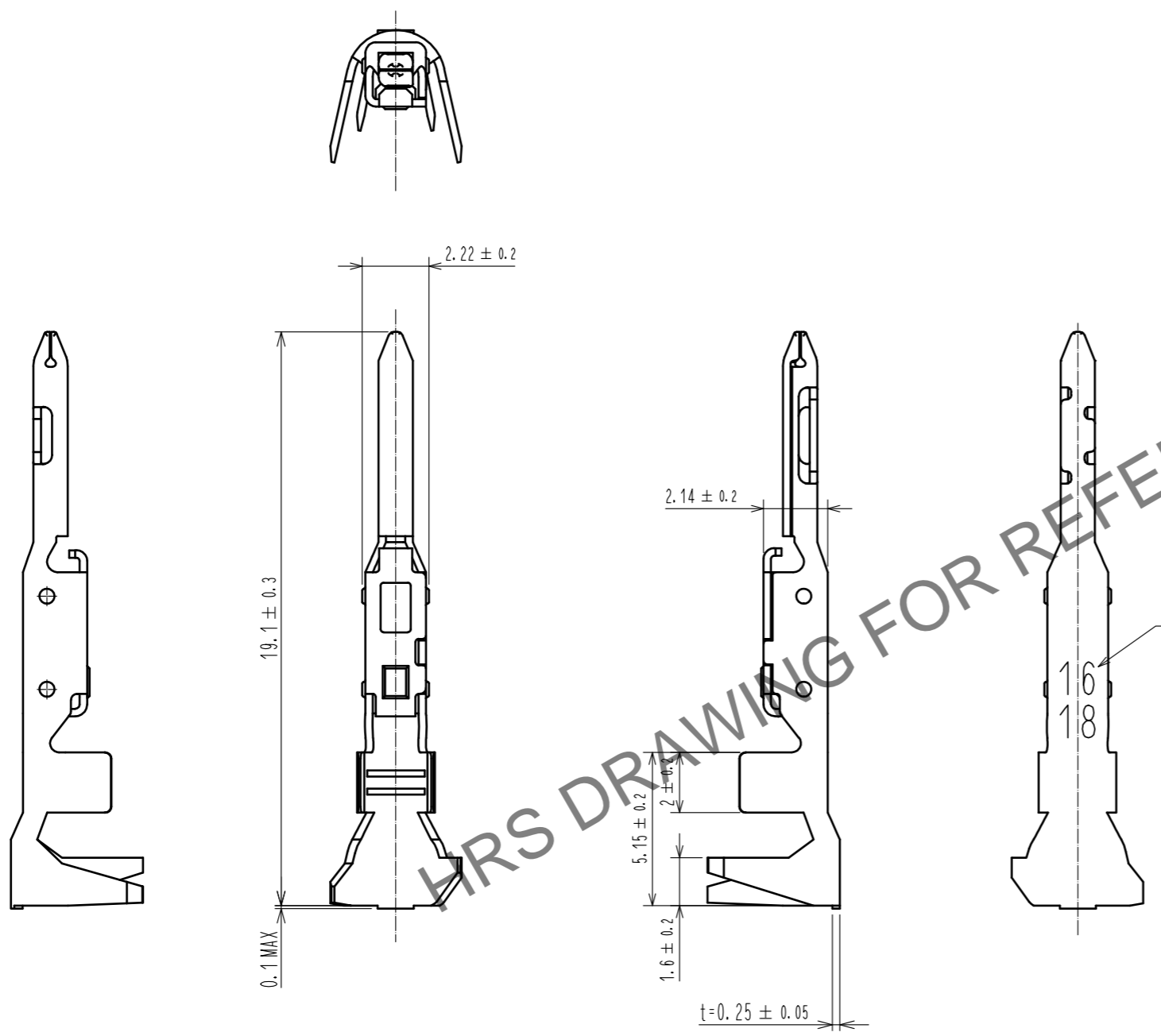


Sep.1.2024 Copyright 2024 HIROSE ELECTRIC CO., LTD. All Rights Reserved.
 In case of consideration for using Automotive equipment / device which demand high reliability, kindly contact our sales window correspondents.



Notes 1. Per Pack : 100 Pieces.
 2. UL(File No. E52653)
 C-UL(File No. E52653)
 TUV (Certificate No. R50318850) authorization article.



NO.		MATERIAL		FINISH . REMARKS		1		Phosphor bronze		Tin plating : 1μm MIN			
UNITS		SCALE		COUNT		DESCRIPTION OF REVISIONS		DESIGNED		CHECKED		DATE	
mm		5 : 1		△									
HIROSE ELECTRIC CO., LTD.		APPROVED : KI. AKIYAMA		15.10.29		DRAWING NO.		EDC-361982-00-00					
		CHECKED : TS. FUKUSHIMA		15.10.29		PART NO.		DF63-1618PC					
		DESIGNED : YK. YAMAGUCHI		15.10.29		CODE NO.		CL680-0536-8-00					
		DRAWN : MI. SAKIMURA		15.10.28									