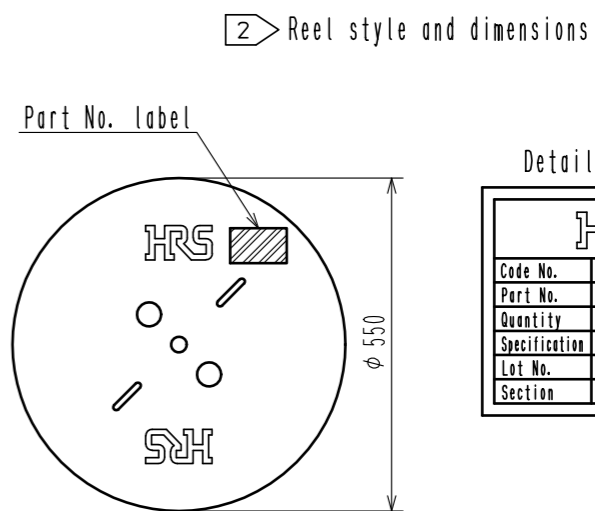
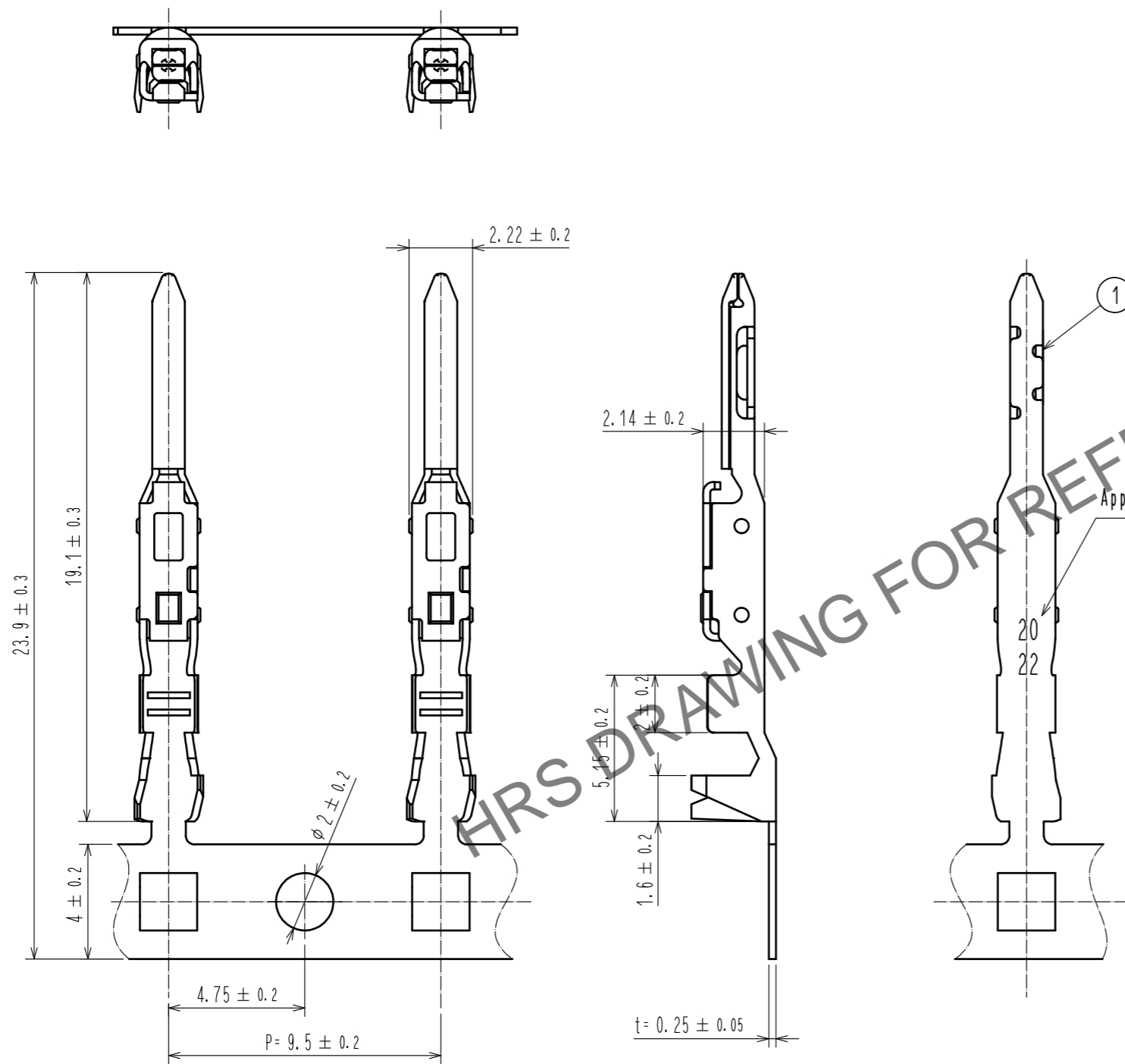


Sep.1.2024 Copyright 2024 HIROSE ELECTRIC CO., LTD. All Rights Reserved.  
 In case of consideration for using Automotive equipment / device which demand high reliability, kindly contact our sales window correspondents.

1 2 3 4 5 6 7 8

A  
B  
C  
D  
E  
F



Detail of part No. label

<b>HRS</b>		Inspection
Code No.	CL680-0538-3	
Part No.	DF63-2022PCF	
Quantity	4000	
Specification		
Lot No.		
Section		

- Notes
- 1RL : 4000 contacts.
  - 2 Style of reel and box are shown in figure.
  - Up to 4 reels are packed up in one box.
  - Please be sure to check the form of crimping using a cable when you adjust applicator.
  - UL(File No. E52653)  
C-UL(File No. E52653)  
TUV (Certificate No. R50318850) authorization article.



1	Phosphor bronze	Tin plating : 1μm MIN
NO.	MATERIAL	FINISH . REMARKS

UNITS mm		SCALE 5 : 1	COUNT 	DESCRIPTION OF REVISIONS	DESIGNED	CHECKED	DATE
HIROSE ELECTRIC CO., LTD.				APPROVED : KI. AKIYAMA 15.10.30	DRAWING NO. EDC-362151-00-00		
				CHECKED : TS. FUKUSHIMA 15.10.30	PART NO. DF63-2022PCF		
				DESIGNED : HT. SATO 15.10.30	CODE NO. CL680-0538-3-00		
				DRAWN : HT. SATO 15.10.30	1/1		