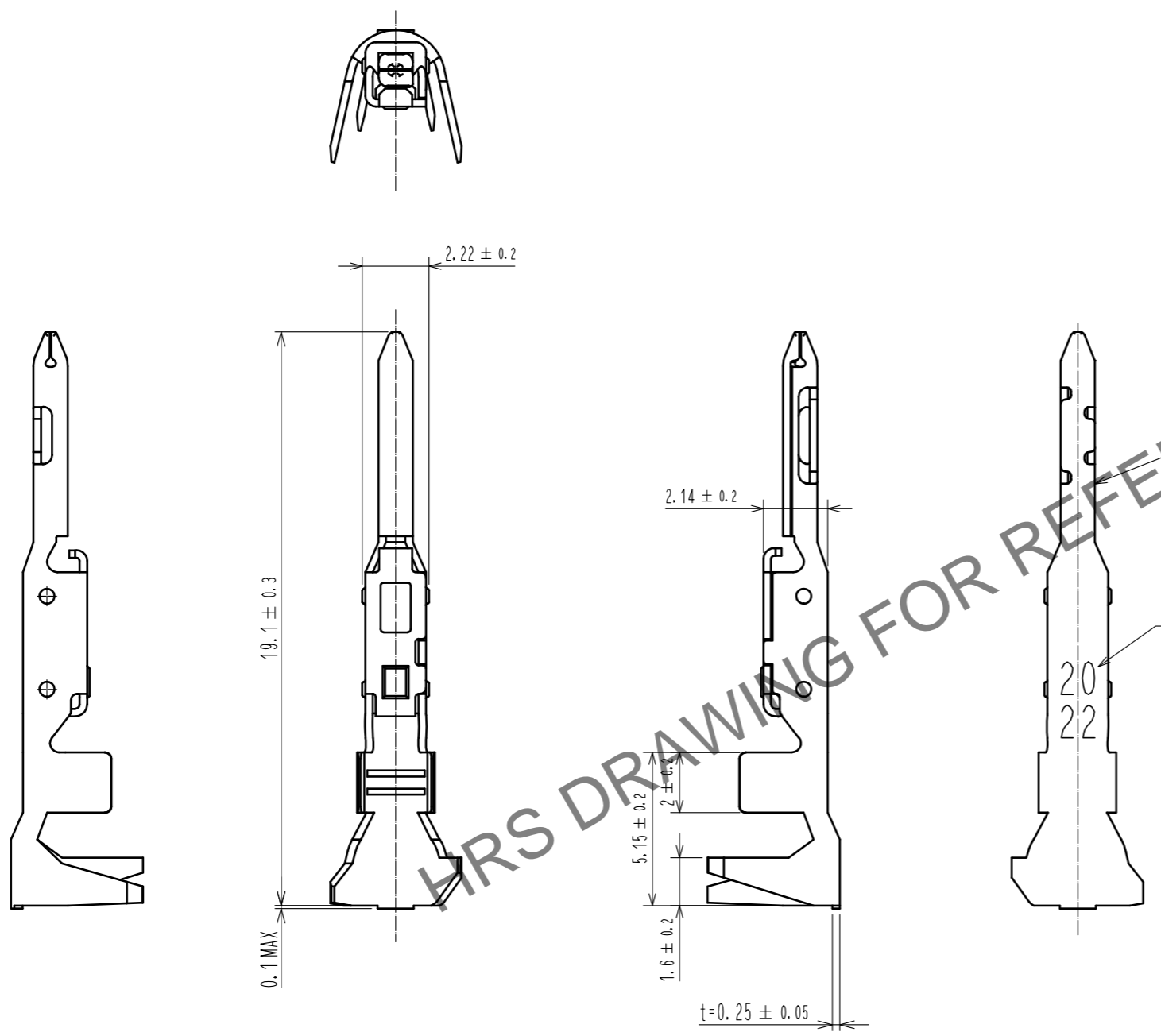


Sep.1.2024 Copyright 2024 HIROSE ELECTRIC CO., LTD. All Rights Reserved.  
 In case of consideration for using Automotive equipment / device which demand high reliability, kindly contact our sales window correspondents.



Notes 1. Per Pack : 100 Pieces.  
 2. UL(File No. E52653)  
 C-UL(File No. E52653)  
 TUV (Certificate No. R50318850) authorization article.



NO.		MATERIAL		FINISH . REMARKS		1	Copper alloy	Tin plating : 1μm MIN
UNITS mm		SCALE 5 : 1		COUNT		DESIGNED		CHECKED
								DATE
<b>HIROSE ELECTRIC CO., LTD.</b>		APPROVED : HS. OKAWA 17. 04. 11 CHECKED : TS. FUKUSHIMA 17. 04. 11 DESIGNED : YK. YAMAGUCHI 17. 04. 11 DRAWN : YK. YAMAGUCHI 17. 04. 11		DESCRIPTION OF REVISIONS NO. 1 DATE 17. 04. 11		DRAWING NO. EDC-362152-00-00		PART NO. DF63-2022PC
						CODE NO. CL680-0539-6-00		1/1