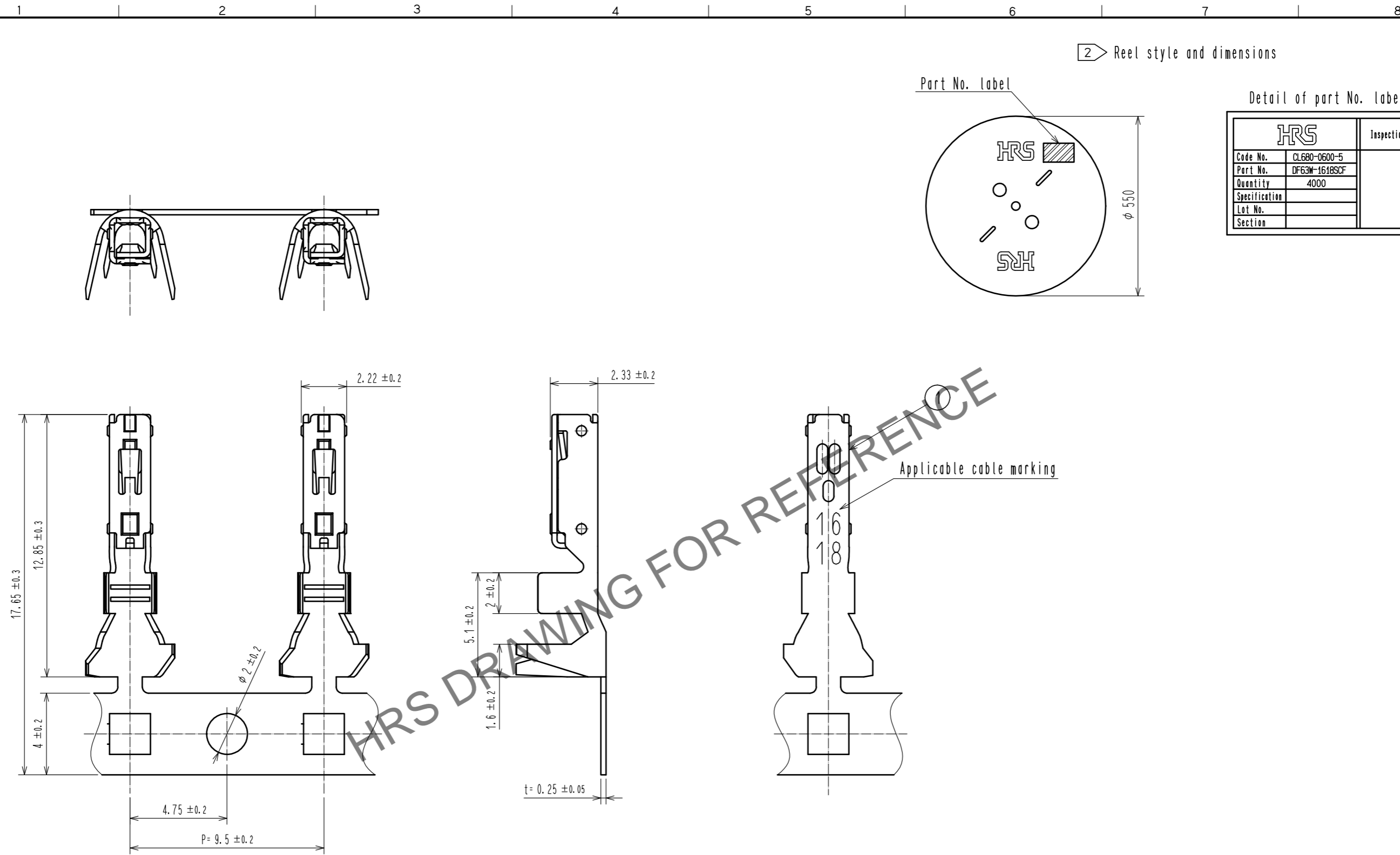


Sep.1.2024 Copyright 2024 HIROSE ELECTRIC CO., LTD. All Rights Reserved.  
In case of consideration for using Automotive equipment / device which demand high reliability, kindly contact our sales window correspondents.



Notes

- 1RL : 4000 contacts.
- 2 Style of reel and box are shown in figure.
- Up to 4 reels are packed up in one box.
- Please be sure to check the form of crimping using a cable when you adjust applicator.

1	Phosphor bronze	Tin plating : 1μm MIN
NO.	MATERIAL	FINISH . REMARKS

UNITS mm		SCALE 5 : 1	COUNT 	DESCRIPTION OF REVISIONS	DESIGNED	CHECKED	DATE	
HIROSE ELECTRIC CO., LTD.				APPROVED : HK. UMEHARA 15.03.10 CHECKED : HK. UMEHARA 15.03.10 DESIGNED : TO. HORII 15.03.10 DRAWN : TO. HORII 15.03.10	DRAWING NO. EDC-359204-00-00 PART NO. DF63W-1618SCF CODE NO. CL680-0600-5-00			
								1