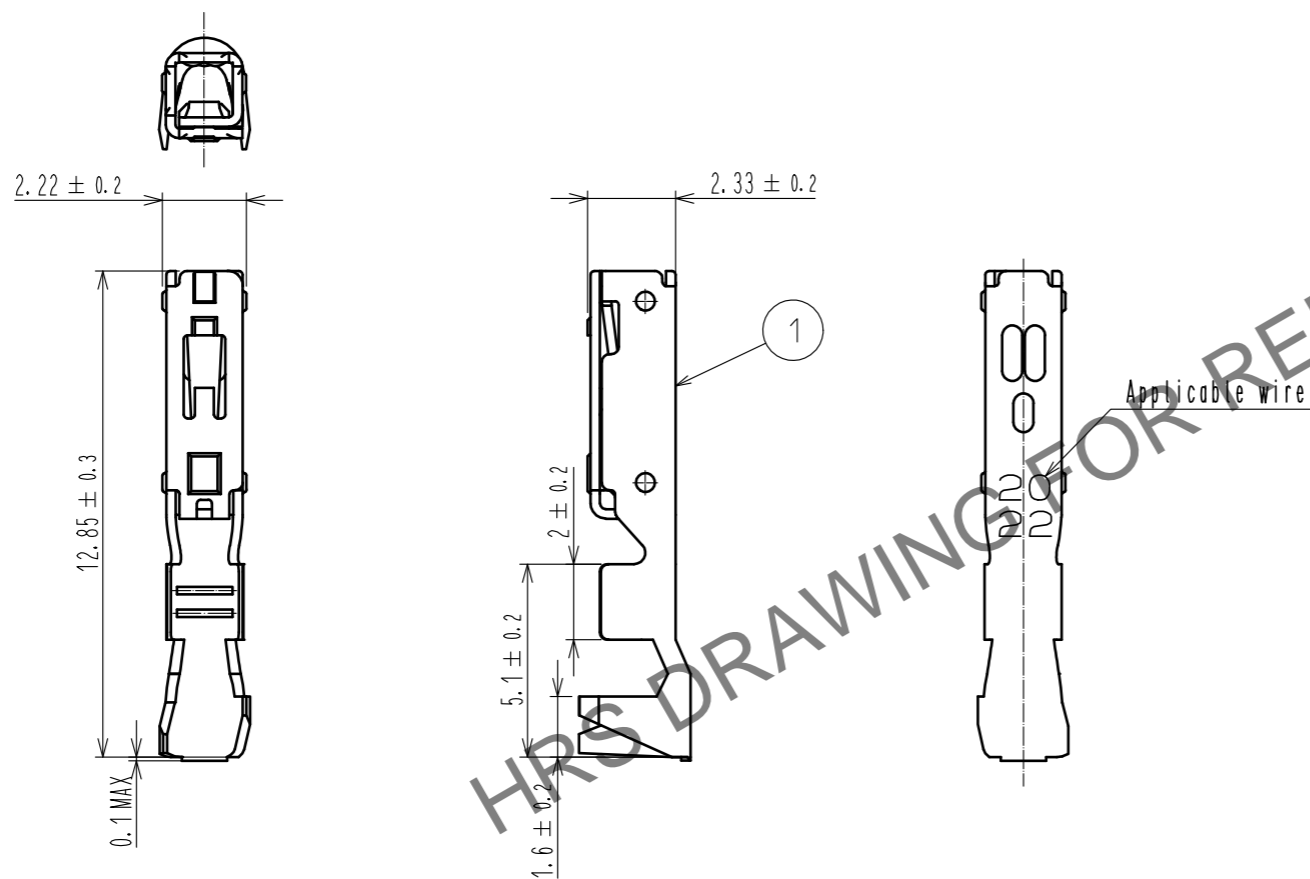


Oct.1.2024 Copyright 2024 HIROSE ELECTRIC CO., LTD. All Rights Reserved.
 In case of consideration for using Automotive equipment / device which demand high reliability, kindly contact our sales window correspondents.



- Notes 1. Per Pack : 100 Pieces.
 2. UL(File No. E52653)
 C-UL(File No. E52653)
 TUV (Certificate No. R50318850) authorization article.



| | | | | | | | | | | | | | | | | | | | | |
|---------------------------|--|--|--------------------------|--|--|------------------|--|--|--------------------------|--|--|------------------|--|--|-----------------------|--|--|------|--|--|
| NO. | | | MATERIAL | | | FINISH . REMARKS | | | 1 | | | Copper alloy | | | Tin plating : 1μm MIN | | | | | |
| UNITS | | | SCALE | | | COUNT | | | DESCRIPTION OF REVISIONS | | | DESIGNED | | | CHECKED | | | DATE | | |
| mm | | | 5 : 1 | | | △ | | | | | | | | | | | | | | |
| HIROSE ELECTRIC CO., LTD. | | | APPROVED : HS. OKAWA | | | 17. 04. 11 | | | DRAWING NO. | | | EDC-359245-00-00 | | | | | | | | |
| | | | CHECKED : TS. FUKUSHIMA | | | 17. 04. 11 | | | PART NO. | | | DF63W-2022SC | | | | | | | | |
| | | | DESIGNED : YK. YAMAGUCHI | | | 17. 04. 11 | | | CODE NO. | | | CL680-0603-3-00 | | | | | | | | |
| | | | DRAWN : YK. YAMAGUCHI | | | 17. 04. 11 | | | | | | 1/1 | | | | | | | | |